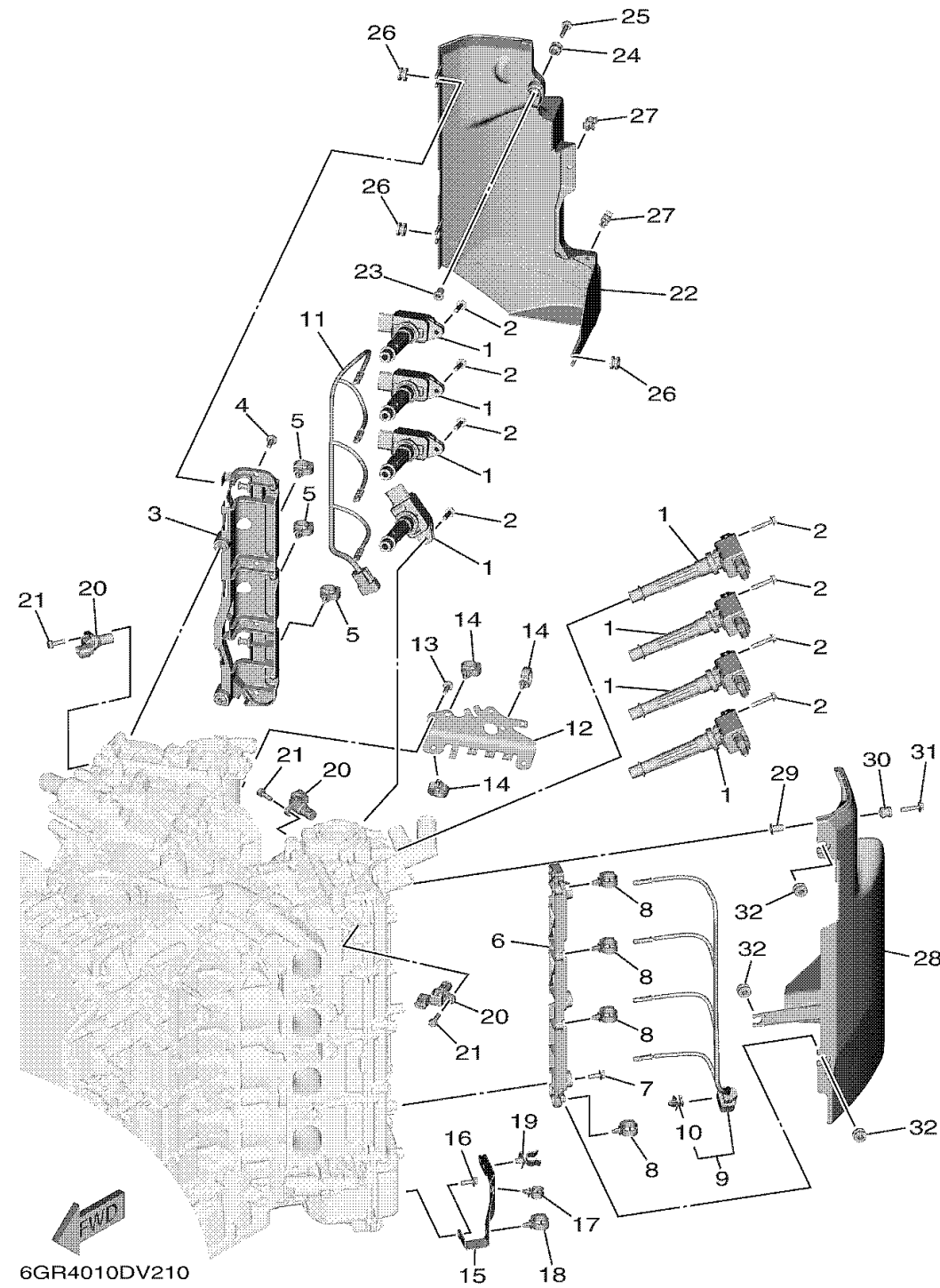


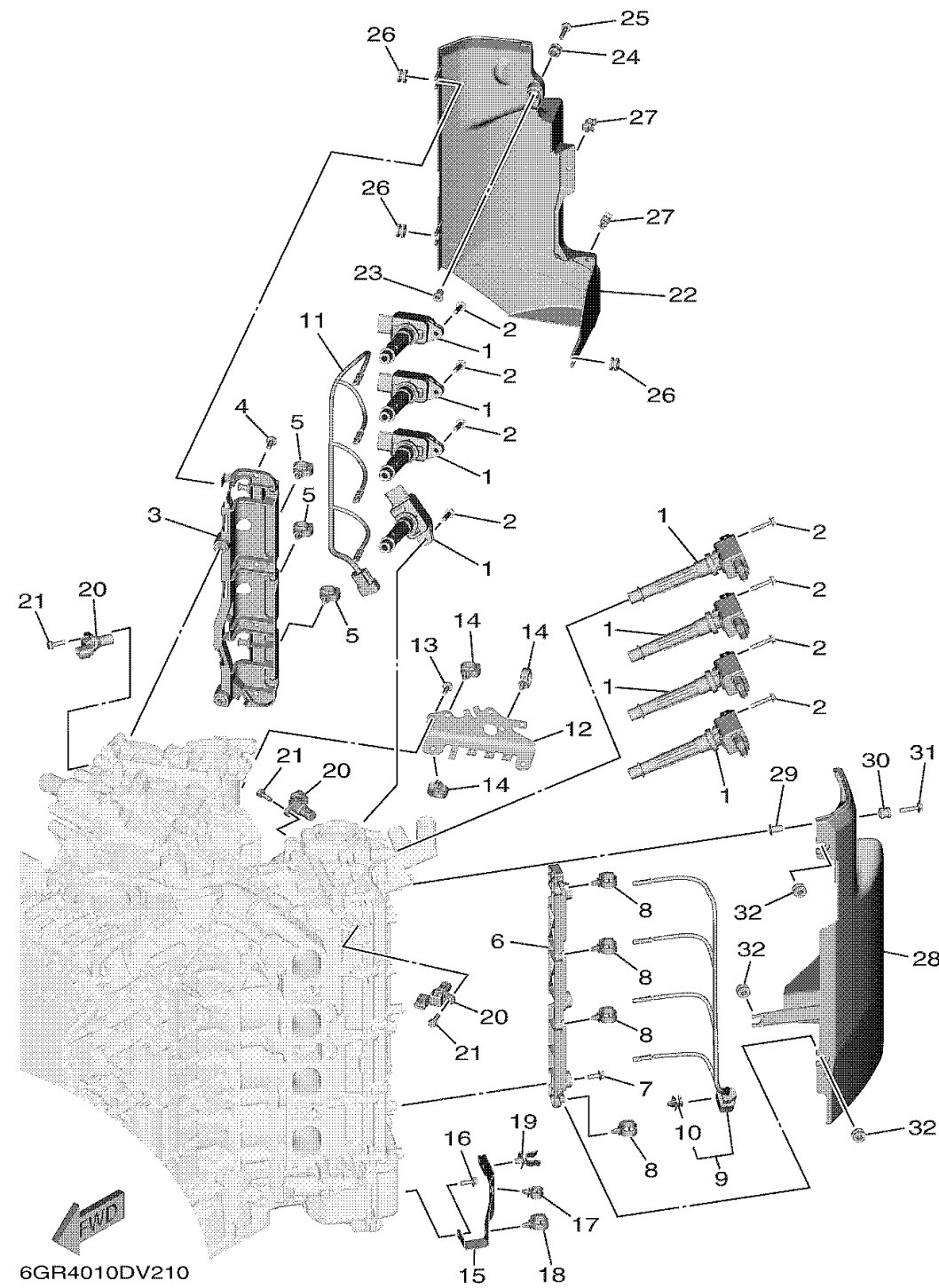
## ELECTRICAL 2



Ref No.	Part Number	Description	Qty	Remarks
1	6GR-82310-00-00	IGNITION COIL ASSY	8	
2	90105-06028-00	BOLT, FLANGE	8	
3	6GR-8272F-00-00	PLATE, GUIDE 1	1	
4	95D95-06016-00	BOLT, FLANGE DEEP RECESS	5	
5	90464-20181-00	CLAMP	3	
6	6GR-8272G-00-00	PLATE, GUIDE 2	1	
7	95D95-06016-00	BOLT, FLANGE DEEP RECESS	3	
8	90464-20181-00	CLAMP	4	
9	6GR-82386-00-00	EXTENSION, WIRE HARNESS	1	
10	90464-09M47-00	. .CLAMP	1	
11	6GR-82386-10-00	EXTENSION, WIRE HARNESS	1	
12	6GR-82388-00-00	PLATE	1	
13	95D95-06016-00	BOLT, FLANGE DEEP RECESS	2	
14	90464-20181-00	CLAMP	3	
15	6GR-82389-00-00	PLATE 2	1	
16	95D95-06016-00	BOLT, FLANGE DEEP RECESS	3	
17	90464-13249-00	CLAMP	1	
18	90464-20181-00	CLAMP	1	
19	90464-12015-00	CLAMP	1	
20	6GR-85896-00-00	SENSOR, CAM POSITION	3	

CONTINUED ON NEXT FRAME >

## ELECTRICAL 2



Ref No.	Part Number	Description	Qty	Remarks
21	97E95-06520-00	BOLT, HEXAGON W/W DEEP RECESS	3	
22	6GR-11186-01-00	COVER, CYLINDER HEAD SIDE 2	1	
23	90387-06119-00	COLLAR	1	
24	6A0-82317-01-00	DAMPER, IGNITION COIL	1	
25	95D95-06025-00	BOLT, FLANGE DEEP RECESS	1	
26	90480-12314-00	GROMMET	3	
27	90464-09129-00	CLAMP	2	
28	6GR-11187-01-00	COVER, CYLINDER HEAD SIDE 3	1	
29	90387-06119-00	COLLAR	1	
30	6A0-82317-01-00	DAMPER, IGNITION COIL	1	
31	95D95-06025-00	BOLT, FLANGE DEEP RECESS	1	
32	90480-12314-00	GROMMET	3	