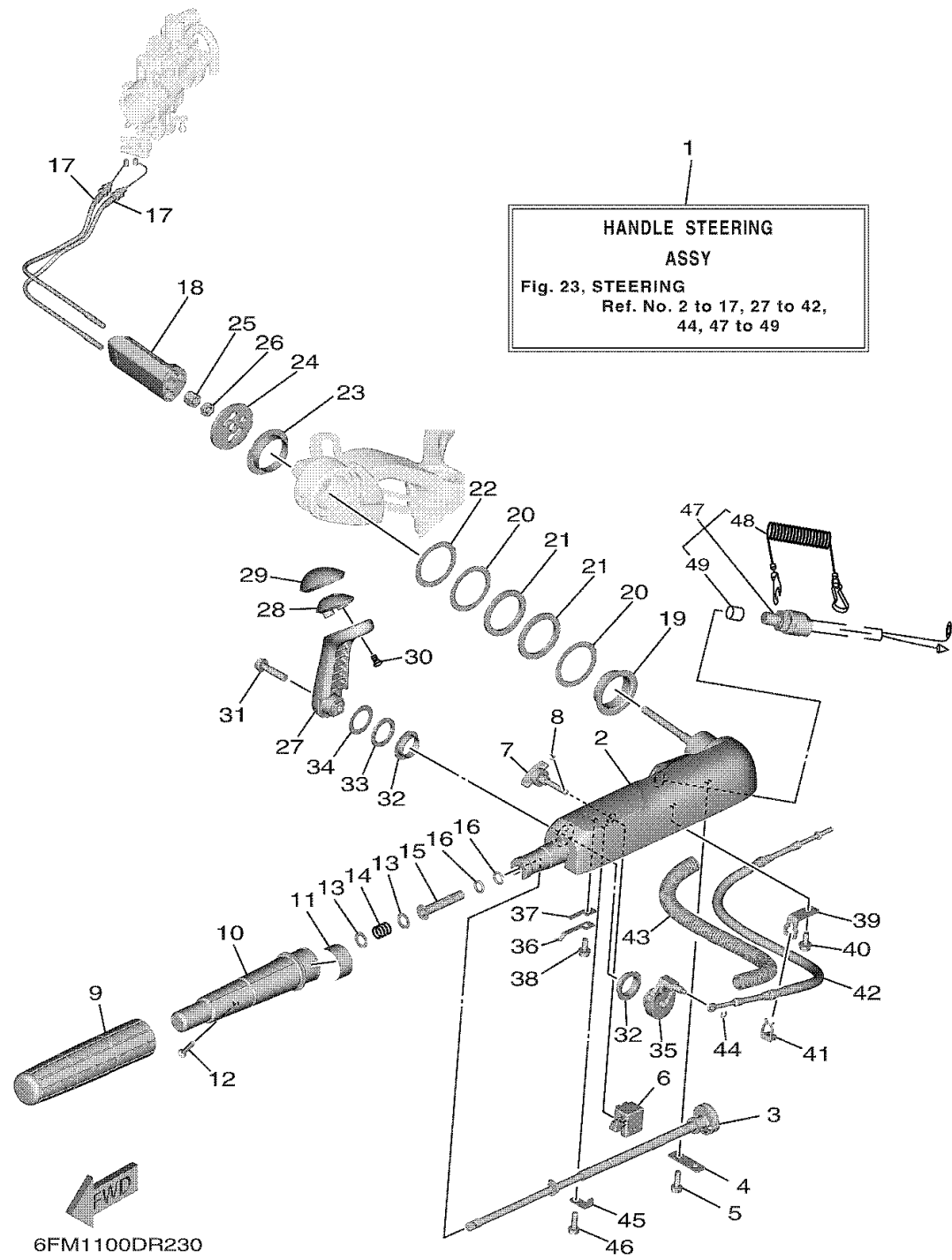


STEERING

Ref No.	Part Number	Description	Qty	Remarks
1	6FM-W0084-03-8D	HANDLE STEERING ASSY	1	
2	6FM-42111-00-8D	HANDLE, STEERING	1	
3	6DR-42138-01-00	LEVER, THROTTLE	1	
4	65W-42159-00-00	STAY	1	
5	90105-06M07-00	.BOLT, FLANGE	1	
6	6DR-42126-00-00	FRICTION, STEERING HANDLE GRIP	1	
7	65W-42125-00-00	BOLT, FRICTION ADJUSTING	1	
8	91490-16010-00	PIN. COTTER	1	
9	67D-42177-01-00	RUBBER, HANDLE	1	
10	67D-42119-01-00	GRIP, STEERING HANDLE	1	
11	6FM-42137-00-00	INDICATOR, THROTTLE	1	
12	90152-05011-00	SCREW, COUNTERSUNK	1	
13	90201-10M02-00	WASHER, PLATE	2	
14	90501-23215-00	SPRING, COMPRESSION	1	
15	6FM-42171-00-00	BUSHING	1	
16	93210-10010-00	O-RING	2	
17	6FM-26301-00-00	THROTTLE CABLE ASSY	2	
18	6FM-26316-01-00	BOOT, THROTTLE CABLE	1	
19	66R-42171-00-00	BUSHING	1	
20	90201-43M00-00	WASHER, PLATE	2	

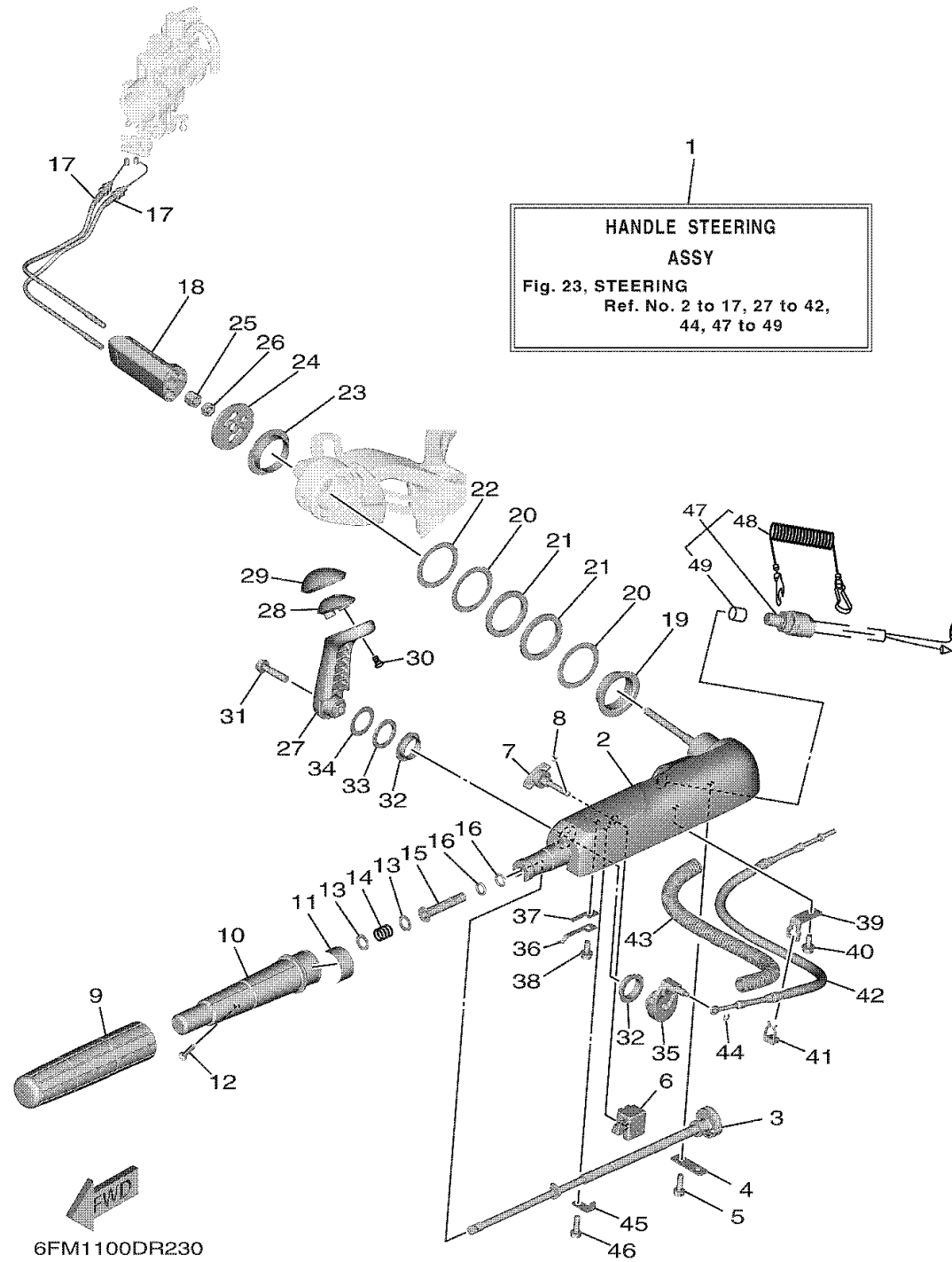
CONTINUED ON NEXT FRAME >



STEERING

Ref No.	Part Number	Description	Qty	Remarks
21	90206-43M22-00	WASHER, WAVE	2	
22	90202-43M57-00	WASHER, PLATE	1	
23	90386-40M99-00	BUSH	1	
24	65W-42131-01-00	COVER, HANDLE STEERING	1	
25	95780-10300-00	NUT, FLANGE	1	
26	95380-10700-00	NUT	1	
27	6DR-44111-00-8D	HANDLE, GEAR SHIFT	1	
28	6DR-44173-00-00	LEVER, SHIFT CONTROL	1	
29	6DR-42129-01-00	BUSHING, RUBBER	1	
30	97780-60920-00	SCREW, TAPPING	2	
31	97E95-08535-00	BOLT, HEXAGON W/W DEEP RECESS	1	
32	90386-26MA3-00	BUSH	2	
33	90206-26M25-00	WASHER, WAVE	1	
34	90202-26M59-00	WASHER, PLATE	1	
35	6DR-44113-A0-00	CAM PLATE, HANDLE	1	
36	6DR-44116-00-00	SPRING	1	
37	66R-44118-00-00	BRACKET	1	
38	95D95-06014-00	BOLT, FLANGE DEEP RECESS	1	
39	66R-48538-00-00	CLAMP, CABLE 1	1	
40	95D95-06014-00	BOLT, FLANGE DEEP RECESS	1	

CONTINUED ON NEXT FRAME >



STEERING

Ref No.	Part Number	Description	Qty	Remarks
41	63D-48538-00-00	CLAMP, CABLE 1	1	
42	6DR-48321-00-00	CABLE	1	
43	90446-20MF5-00	HOSE (L320)	1	
44	99080-04600-00	CIRCLIP	1	
45	6DR-44114-00-00	STOPPER	1	
46	97980-06225-00	SCREW, WITH WASHER	1	
47	6FM-82575-00-00	ENGINE STOP SWITCH ASSY	1	
48	682-82556-00-00	. .LANYARD, STOP SWITCH	1	
49	689-8257Y-00-00	. .CAP	1	