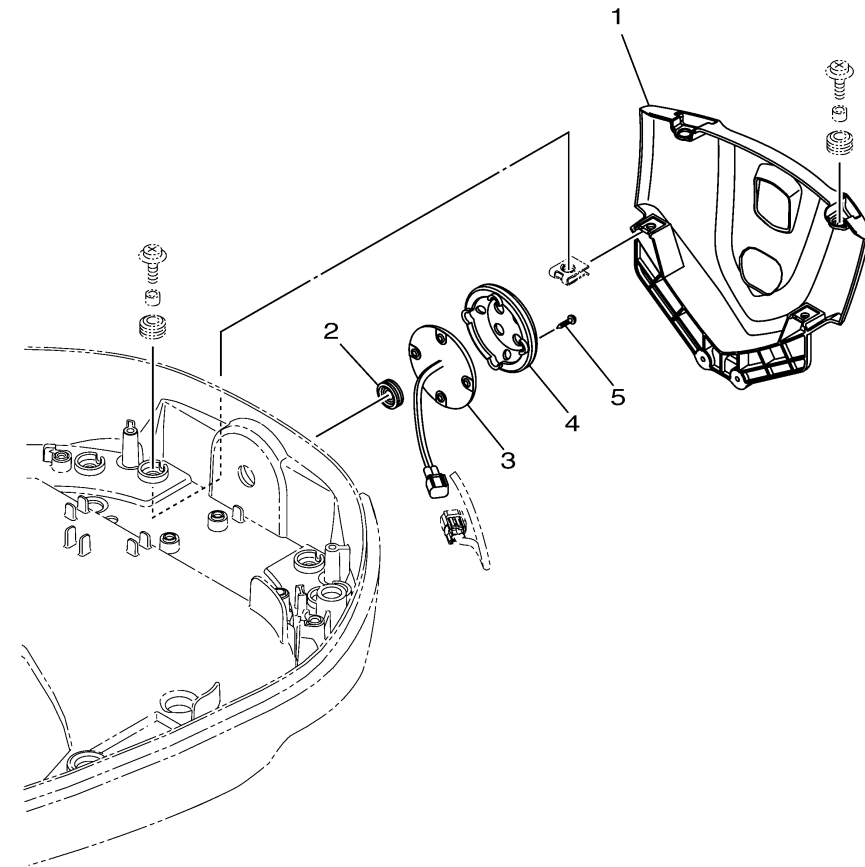


OPTIONAL PARTS 2

Ref No.	Part Number	Description	Qty	Remarks
1	6KA-42723-10-8D	COVER, BOTTOM	1	GRAY
1	6KA-42723-10-CE	COVER, BOTTOM	0	WHITE
1	6KA-42723-10-00	COVER, BOTTOM	0	
2	90480-20006-00	GROMMET	1	
3	6KA-83720-00-00	L.E.D ASS'Y	1	
4	6KA-84516-00-00	COVER, TAILLIGHT	1	
5	97780-40112-00	SCREW, OVAL HEAD TAPPING	4	



6KA1100-V420