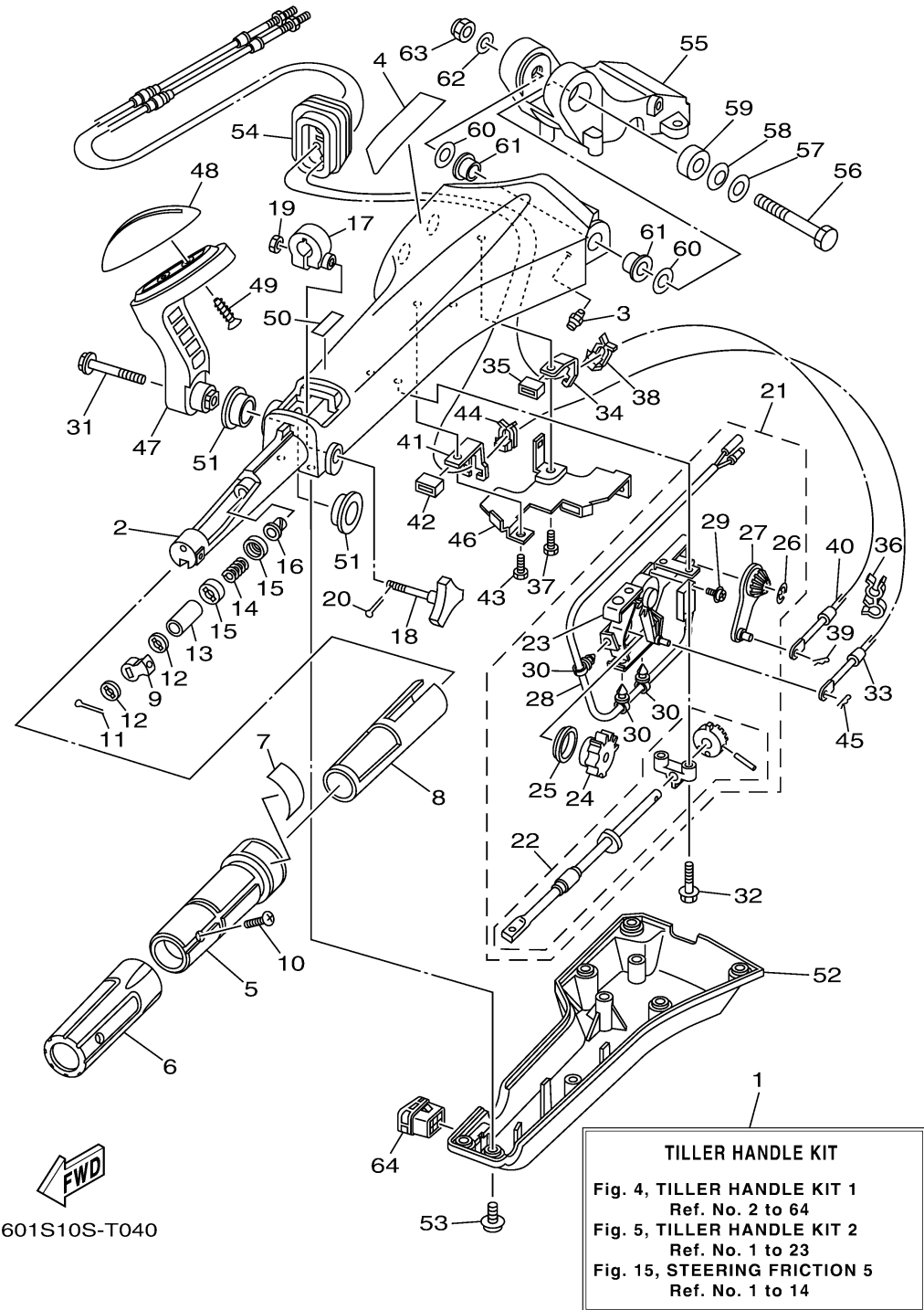


6X4 TILLER HANDLE KIT (F25A)

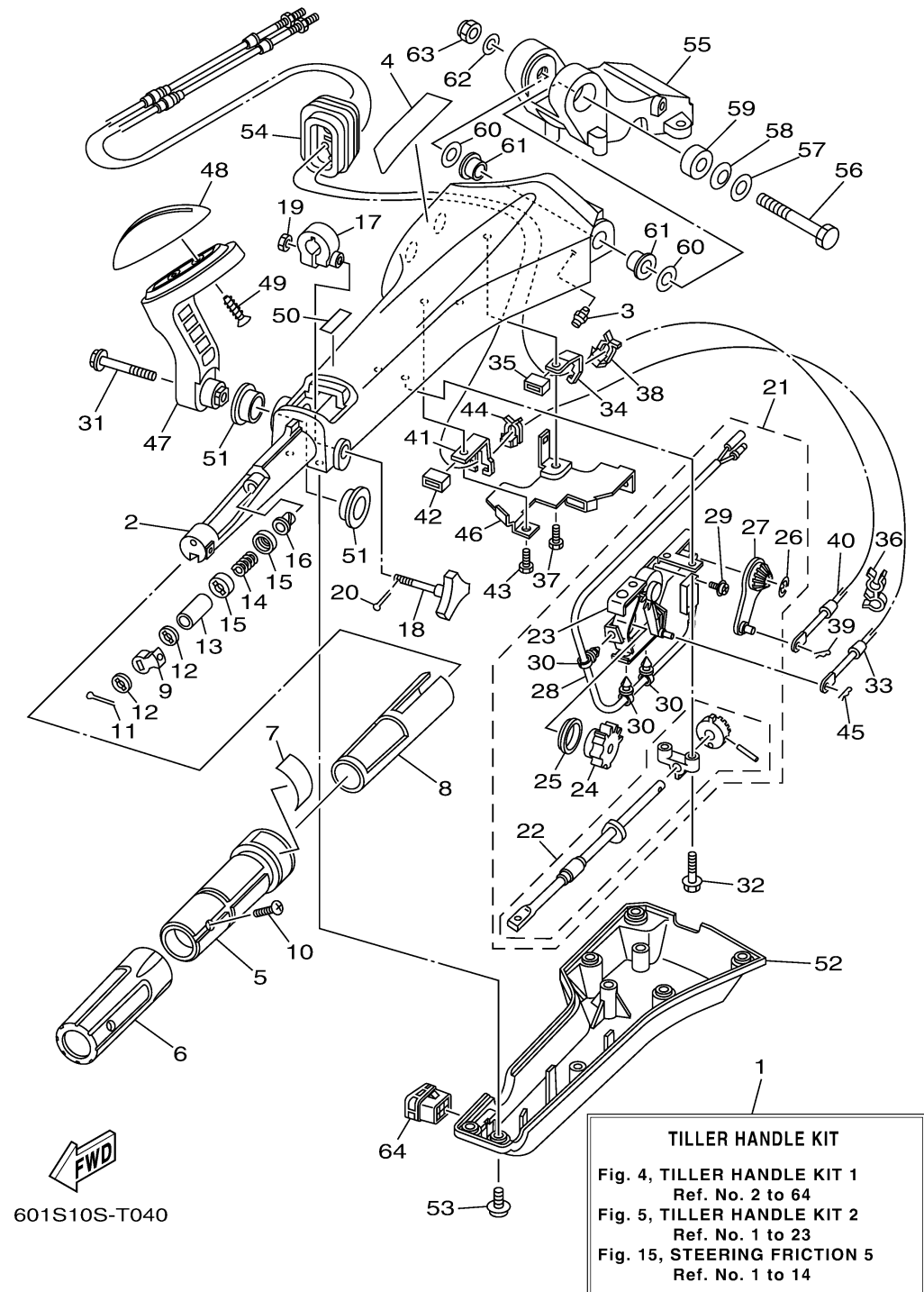


TILLER HANDLE KIT 1

| Ref No. | Part Number | Description | Qty | Remarks |
|---------|-----------------|--------------------------------|-----|-----------------|
| 1 | 6X4-42103-0E-00 | TILLER HANDLE KIT | 1 | LM FOR USA, CAN |
| 2 | 6X4-42111-02-4D | HANDLE, STEERING | 1 | |
| 3 | 93700-06002-00 | NIPPLE, GREASE | 1 | |
| 4 | 6X4-48215-00-00 | GRAPHIC | 1 | |
| 5 | 6X4-42119-01-00 | GRIP, STEERING HANDLE | 1 | |
| 6 | 6X4-42177-01-00 | RUBBER, HANDLE | 1 | |
| 7 | 6X4-42137-00-00 | INDICATOR, THROTTLE | 1 | |
| 8 | 6X4-41291-00-00 | BUSHING | 1 | |
| 9 | 6X4-44139-01-00 | COLLAR | 1 | |
| 10 | 90152-05007-00 | SCREW, COUNTERSUNK | 1 | |
| 11 | 91490-20010-00 | PIN. COTTER | 1 | |
| 12 | 6X4-44177-00-00 | WASHER | 2 | |
| 13 | 6X4-42128-00-00 | COLLAR, DISTANCE 1 | 1 | |
| 14 | 90501-23215-00 | SPRING, COMPRESSION | 1 | |
| 15 | 6X4-44188-00-00 | WASHER | 2 | |
| 16 | 90386-08032-00 | BUSH | 1 | |
| 17 | 63D-42126-00-00 | FRICTION, STEERING HANDLE GRIP | 1 | |
| 18 | 6X4-48154-00-00 | KNOB, THROTTLE | 1 | |
| 19 | 95380-06600-00 | .NUT, HEXAGON | 1 | |
| 20 | 91490-20010-00 | PIN. COTTER | 1 | |

CONTINUED ON NEXT FRAME >

6X4 TILLER HANDLE KIT (F25A)

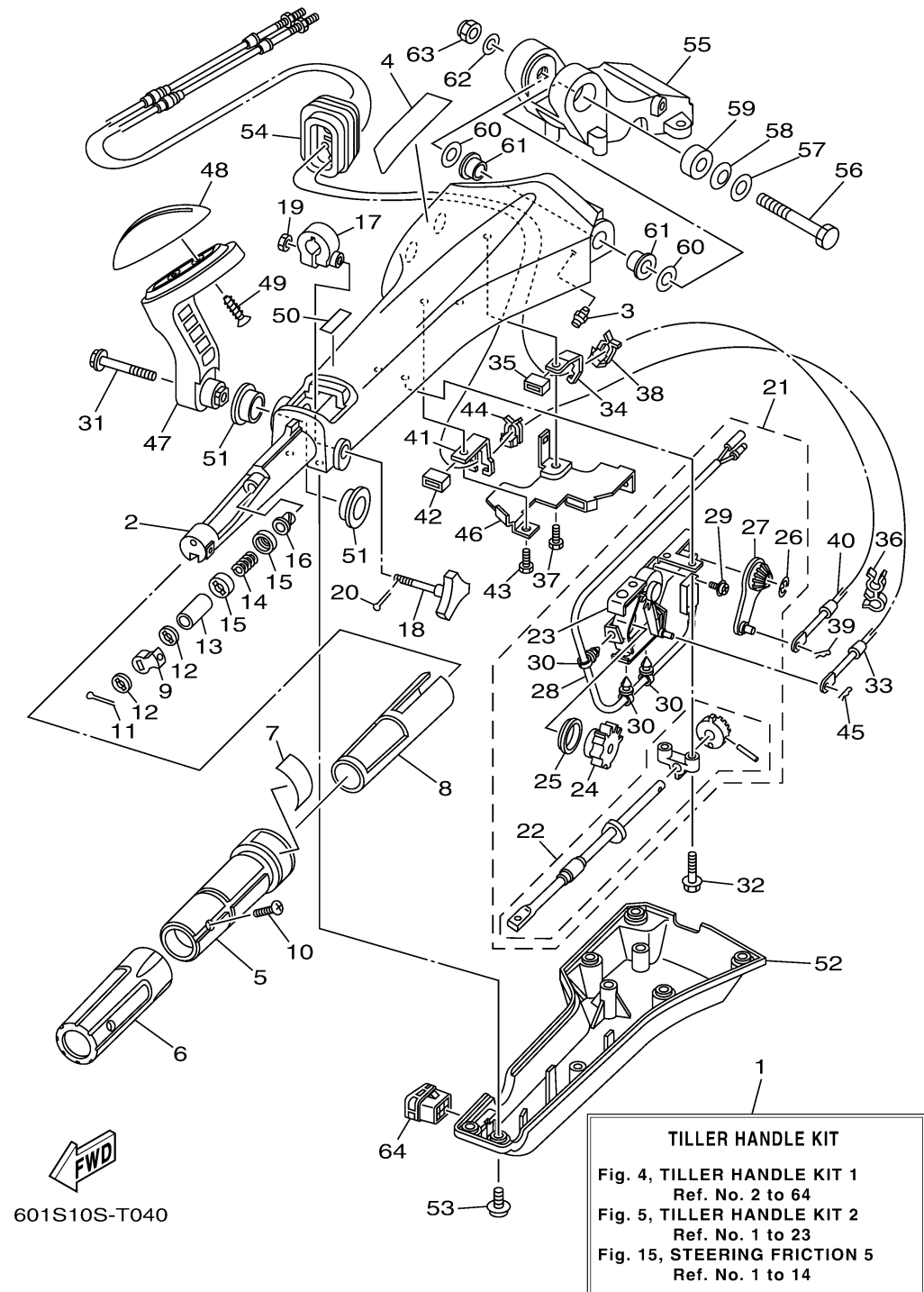


TILLER HANDLE KIT 1

| Ref No. | Part Number | Description | Qty | Remarks |
|---------|-----------------|-------------------------------|-----|---------|
| 21 | 6X4-44100-01-00 | SHIFT LINK ASSY | 1 | |
| 22 | 6X4-42115-00-00 | ..SHAFT, STEERING HANDLE | 1 | |
| 23 | 6X4-44102-00-00 | ..SHIFT ASSIST ASSY. | 1 | |
| 24 | 6X4-47731-01-00 | ..GEAR, DRIVE | 1 | |
| 25 | 6X4-44132-00-00 | ..BUSHING | 1 | |
| 26 | 6X4-14137-00-00 | ..CLIP | 1 | |
| 27 | 6X4-48261-00-00 | ..ARM, THROTTLE | 1 | |
| 28 | 6X4-82540-00-00 | ..NEUTRAL SWITCH ASSY | 1 | |
| 29 | 703-48129-00-00 | ..SCREW 3 | 2 | |
| 30 | 6X4-42821-00-00 | ..BAND, CLAMP | 3 | |
| 31 | 97E95-08540-00 | BOLT, HEXAGON W/W DEEP RECESS | 1 | |
| 32 | 97E95-06530-00 | BOLT, HEXAGON W/W DEEP RECESS | 2 | |
| 33 | 6H1-48321-21-00 | CABLE | 1 | |
| 34 | 6X4-48538-00-00 | CLAMP, CABLE 1 | 1 | |
| 35 | 6X4-26367-01-00 | PROTECTOR | 1 | |
| 36 | 90464-09M42-00 | CLAMP | 1 | |
| 37 | 97D95-06014-00 | BOLT, HEXAGON DEEP RECESS | 1 | |
| 38 | 63D-48538-00-00 | CLAMP, CABLE 1 | 1 | |
| 39 | 90468-10005-00 | CLIP | 1 | |
| 40 | 6H3-48321-02-00 | CABLE | 1 | |

CONTINUED ON NEXT FRAME >

6X4 TILLER HANDLE KIT (F25A)

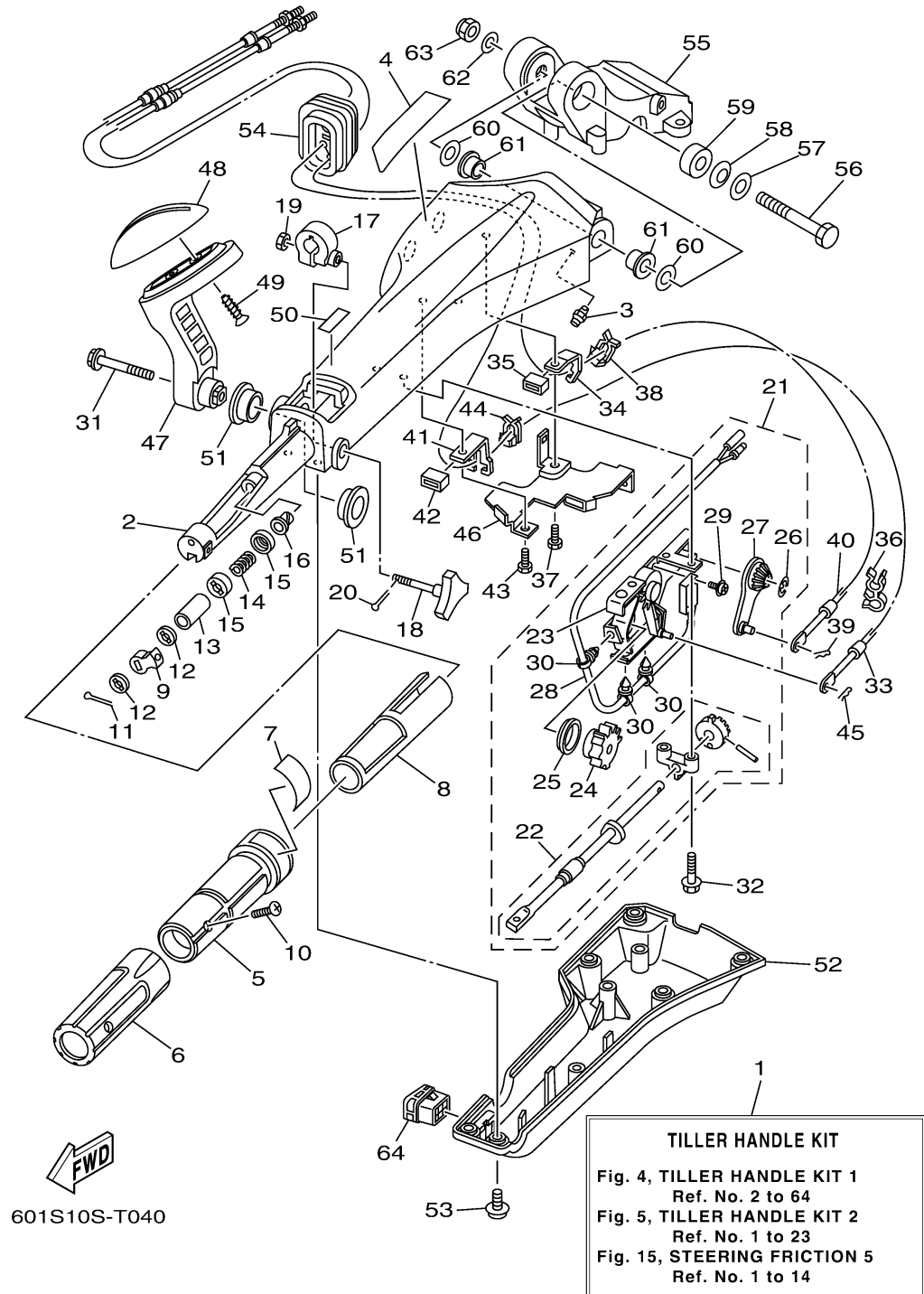


TILLER HANDLE KIT 1

| Ref No. | Part Number | Description | Qty | Remarks |
|---------|-----------------|---------------------------|-----|---------|
| 41 | 6X4-48538-10-00 | CLAMP, CABLE 1 | 1 | |
| 42 | 6X4-26367-01-00 | PROTECTOR | 1 | |
| 43 | 97D95-06014-00 | BOLT, HEXAGON DEEP RECESS | 1 | |
| 44 | 63D-48538-00-00 | CLAMP, CABLE 1 | 1 | |
| 45 | 90468-10005-00 | CLIP | 1 | |
| 46 | 6X4-42159-00-00 | STAY | 1 | |
| 47 | 6X4-44159-A0-8D | HANDLE, GEAR SHIFT | 1 | |
| 48 | 6X4-44173-00-00 | LEVER, SHIFT CONTROL | 1 | |
| 49 | 97780-60920-00 | SCREW, TAPPING | 2 | |
| 50 | 6G8-44191-00-00 | INDICATOR, SHIFT | 1 | |
| 51 | 90386-26MA3-00 | BUSH | 2 | |
| 52 | 6X4-42131-01-00 | COVER, HANDLE STEERING | 1 | |
| 53 | 97985-06216-00 | SCREW, WITH WASHER | 6 | |
| 54 | 6X4-42725-01-00 | GROMMET | 1 | |
| 55 | 65W-42121-11-4D | BRACKET | 1 | |
| 56 | 90101-12014-00 | BOLT | 1 | |
| 57 | 92990-12200-00 | .WASHER, PLAIN | 1 | |
| 58 | 90206-12M22-00 | WASHER, WAVE | 1 | |
| 59 | 90387-12M02-00 | COLLAR | 1 | |
| 60 | 90201-12035-00 | WASHER, PLATE | 2 | |

CONTINUED ON NEXT FRAME >

6X4 TILLER HANDLE KIT (F25A)



TILLER HANDLE KIT 1

| Ref No. | Part Number | Description | Qty | Remarks |
|---------|-----------------|-------------------|-----|---------|
| 61 | 90386-12003-00 | BUSH | 2 | |
| 62 | 92990-12600-00 | WASHER, PLATE | 1 | |
| 63 | 90185-12M12-00 | NUT, SELF-LOCKING | 1 | |
| 64 | 6X4-42728-10-00 | CAP | 1 | |