

6EK1100-N360

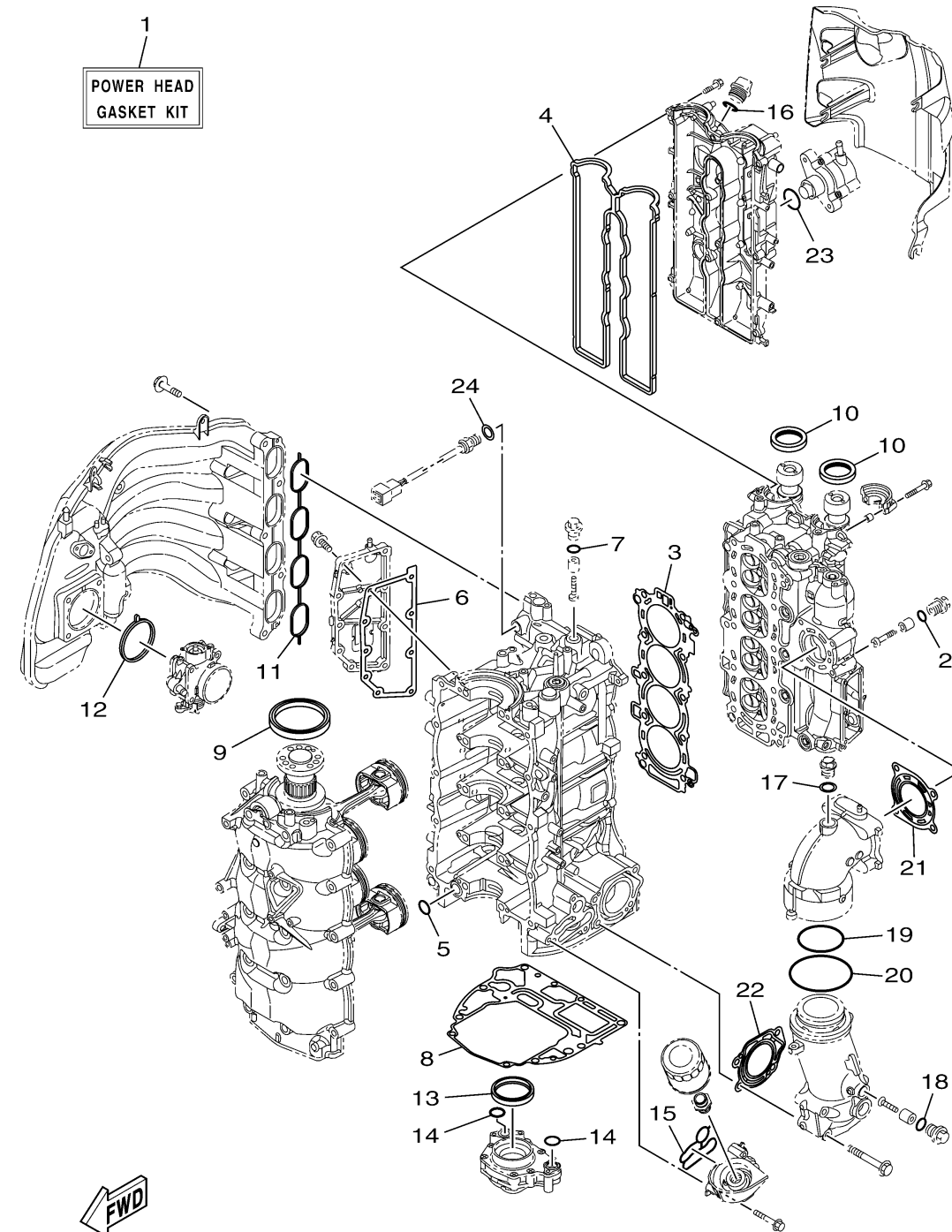
REPAIR KIT 1

Ref No.	Part Number	Description	Qty	Remarks
1	6EK-W0001-01-00	POWER HEAD GASKET KIT	1	
2	93210-13M63-00	. O-RING	1	
3	6EK-11181-00-00	. GASKET, CYLINDER HEAD 1	1	
4	6EK-11193-00-00	. GASKET, HEAD COVER 1	1	
5	93210-19MJ1-00	. O-RING	1	
6	6EK-15353-01-00	. GASKET, DRAIN	1	
7	93210-13M63-00	. O-RING	1	
8	6EK-11351-00-00	. GASKET, CYLINDER	1	
9	93102-85008-00	. OIL SEAL	1	
10	93102-38008-00	. OIL SEAL	2	
11	6EK-13645-00-00	. GASKET, MANIFOLD 1	1	
12	6EK-13646-00-00	. GASKET, MANIFOLD 2	1	
13	69J-11355-00-00	. SEAL, CYLINDER 1	1	
14	93210-19MJ1-00	. O-RING	2	
15	6EK-13475-00-00	. GASKET	1	
16	93210-24M79-00	. O-RING	1	
17	90201-186F1-00	. WASHER, PLATE	1	
18	93210-13M63-00	. O-RING	1	
19	93210-64001-00	. O-RING	1	
20	93210-84001-00	. O-RING	1	

CONTINUED ON NEXT FRAME >

REPAIR KIT 1

Ref No.	Part Number	Description	Qty	Remarks
21	6EK-41114-00-00	. .GASKET, EXHAUST OUTER COVER	1	
22	6EK-41124-00-00	. .GASKET, EXHAUST OUTER COVER	1	
23	93210-30682-00	. .O-RING	1	
24	90430-14115-00	. .GASKET	1	



6EK1100-N360