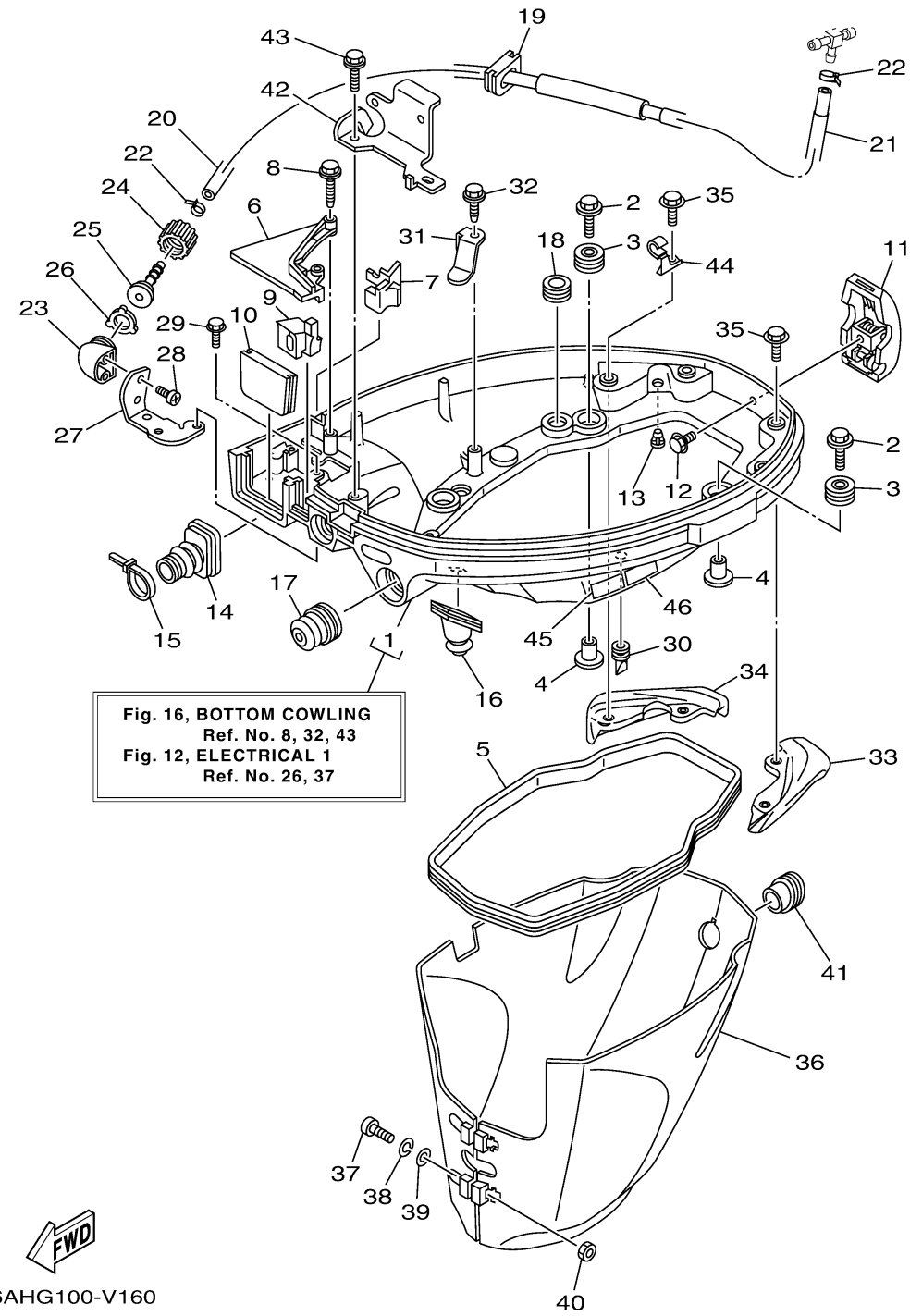


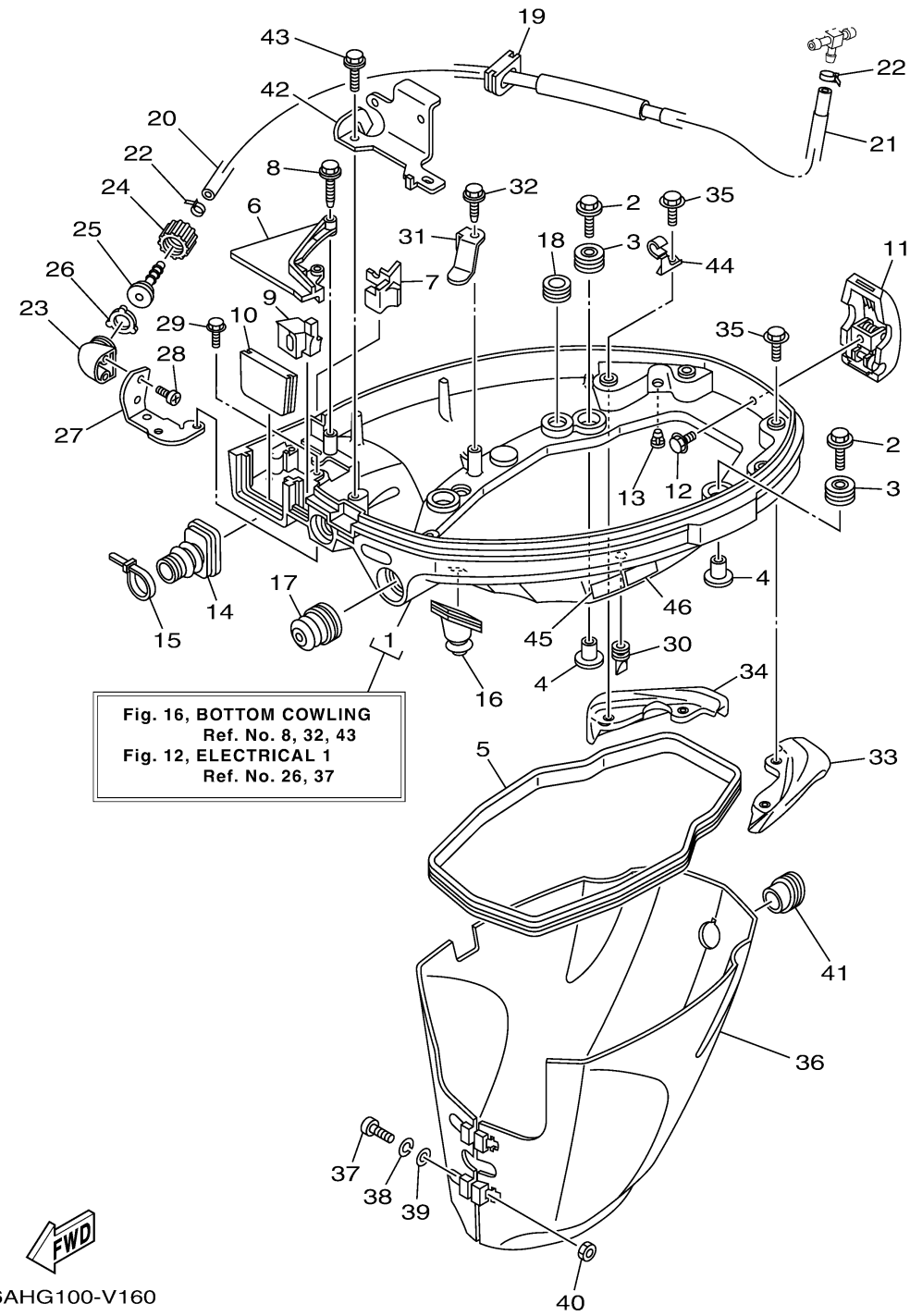
BOTTOM COWLING



| Ref No. | Part Number | Description | Qty | Remarks |
|---------|-----------------|-------------------------------|-----|---------|
| 1 | 6AH-42710-00-8D | BOTTOM COWLING ASSY | 1 | |
| 2 | 68F-85119-00-00 | BOLT | 4 | |
| 3 | 90480-21M82-00 | GROMMET | 4 | |
| 4 | 90387-06176-00 | COLLAR | 4 | |
| 5 | 6AH-42716-00-00 | RUBBER SEAL 1 | 1 | |
| 6 | 6AH-42738-00-8D | PLATE, FITTING | 1 | |
| 7 | 6AH-42718-01-00 | RUBBER, SEAL 3 | 1 | |
| 8 | 90109-06M82-00 | BOLT | 2 | |
| 9 | 6AH-42725-11-00 | GROMMET | 1 | |
| 10 | 6AH-42724-01-00 | GROMMET | 1 | |
| 11 | 6AH-42801-00-00 | COWLING CLAMP COMP. | 1 | |
| 12 | 97E95-06512-00 | BOLT, HEXAGON W/W DEEP RECESS | 1 | |
| 13 | 6BL-44391-00-00 | NIPPLE, HOSE | 1 | |
| 14 | 6AH-26326-01-00 | GROMMET | 1 | |
| 15 | 90465-11M10-00 | CLAMP | 1 | |
| 16 | 6AH-42727-01-00 | GROMMET | 1 | |
| 17 | 65W-42726-01-00 | GROMMET | 1 | |
| 18 | 90480-16007-00 | GROMMET | 1 | |
| 19 | 6AH-42726-01-00 | GROMMET | 1 | |
| 20 | 6AH-24314-01-00 | PIPE 4 | 1 | |

CONTINUED ON NEXT FRAME >

BOTTOM COWLING

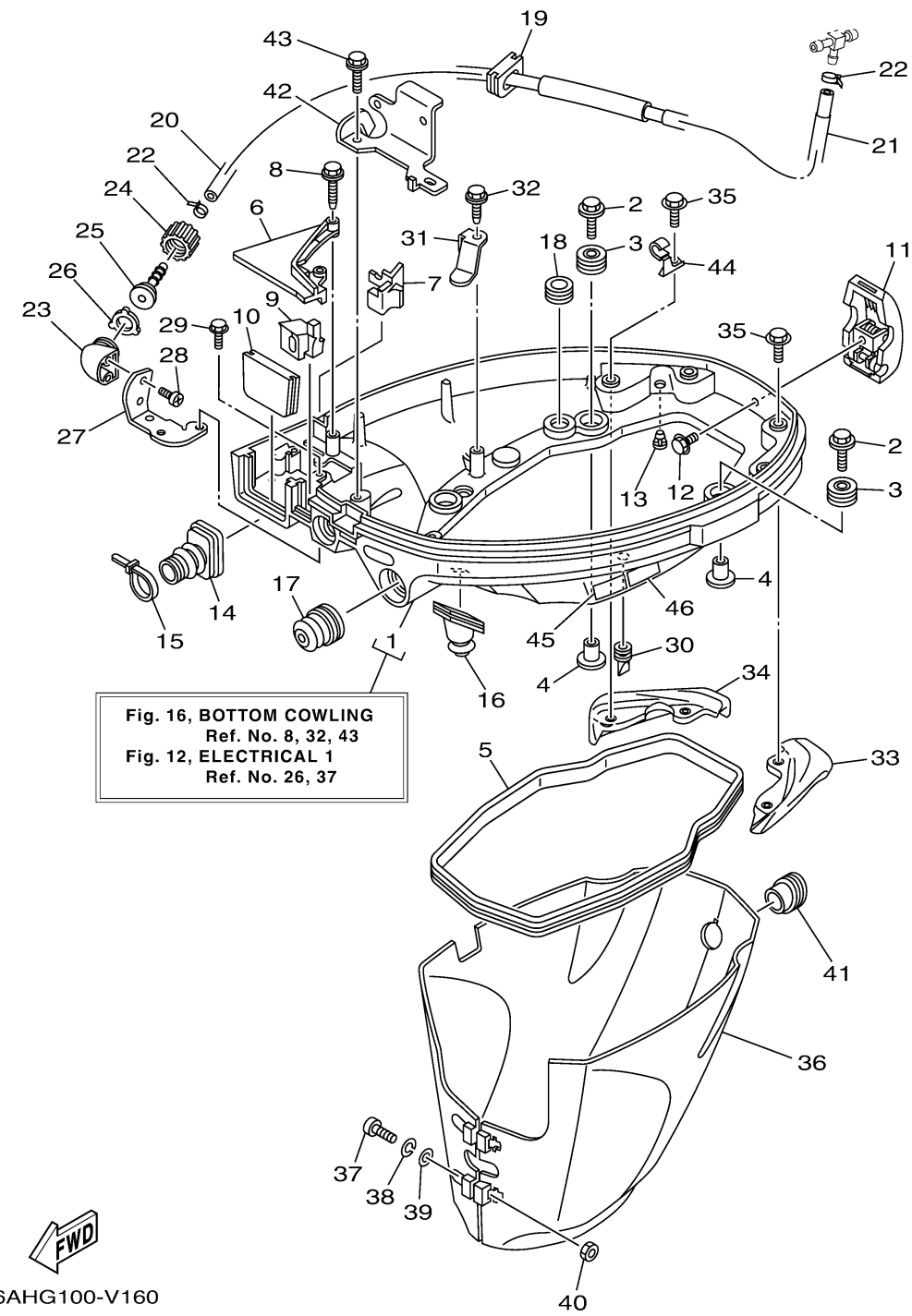


| Ref No. | Part Number | Description | Qty | Remarks |
|---------|-----------------|-------------------------------|-----|---------|
| 21 | 90445-15003-00 | HOSE (L230) | 1 | |
| 22 | 90465-11M10-00 | CLAMP | 2 | |
| 23 | 6DR-12572-00-00 | ADAPTER | 1 | |
| 24 | 6R3-12581-00-00 | JOINT, HOSE 1 | 1 | |
| 25 | 6R3-12582-00-00 | JOINT, HOSE 2 | 1 | |
| 26 | 6R3-12583-00-00 | GASKET, HOSE JOINT | 1 | |
| 27 | 6AH-12535-00-00 | PLATE | 1 | |
| 28 | 90167-06002-00 | SCREW, TAPPING | 2 | |
| 29 | 97E95-06510-00 | BOLT, HEXAGON W/W DEEP RECESS | 2 | |
| 30 | 65W-42717-00-00 | RUBBER, SEAL 2 | 2 | |
| 31 | 6AH-42743-00-00 | BRACKET | 1 | |
| 32 | 90109-06M86-00 | BOLT | 1 | |
| 33 | 6AH-42761-A0-00 | STOPPER | 1 | |
| 34 | 6AH-42762-A0-00 | STOPPER | 1 | |
| 35 | 97E75-06512-00 | BOLT, HEXAGON W/W DEEP RECESS | 4 | |
| 36 | 6AH-42741-00-00 | APRON | 1 | |
| 37 | 97885-06030-00 | SCREW, PAN HEAD | 2 | |
| 38 | 92995-06100-00 | WASHER, SPRING | 2 | |
| 39 | 92995-06600-00 | WASHER | 2 | |
| 40 | 95380-06600-00 | ..NUT, HEXAGON | 2 | |

CONTINUED ON NEXT FRAME >

6AHG100-V160

BOTTOM COWLING



| Ref No. | Part Number | Description | Qty | Remarks |
|---------|-----------------|--------------------------|-----|---------|
| 41 | 6AH-42717-01-00 | RUBBER, SEAL 2 | 1 | |
| 42 | 6AH-15774-00-00 | STAY 4 | 1 | |
| 43 | 90109-06M86-00 | BOLT | 1 | |
| 44 | 90465-08M82-00 | CLAMP | 1 | |
| 45 | 6EE-42794-40-00 | LABEL, WARNING (GENERAL) | 1 | |
| 46 | 6EE-42794-50-00 | LABEL, WARNING (GENERAL) | 1 | |