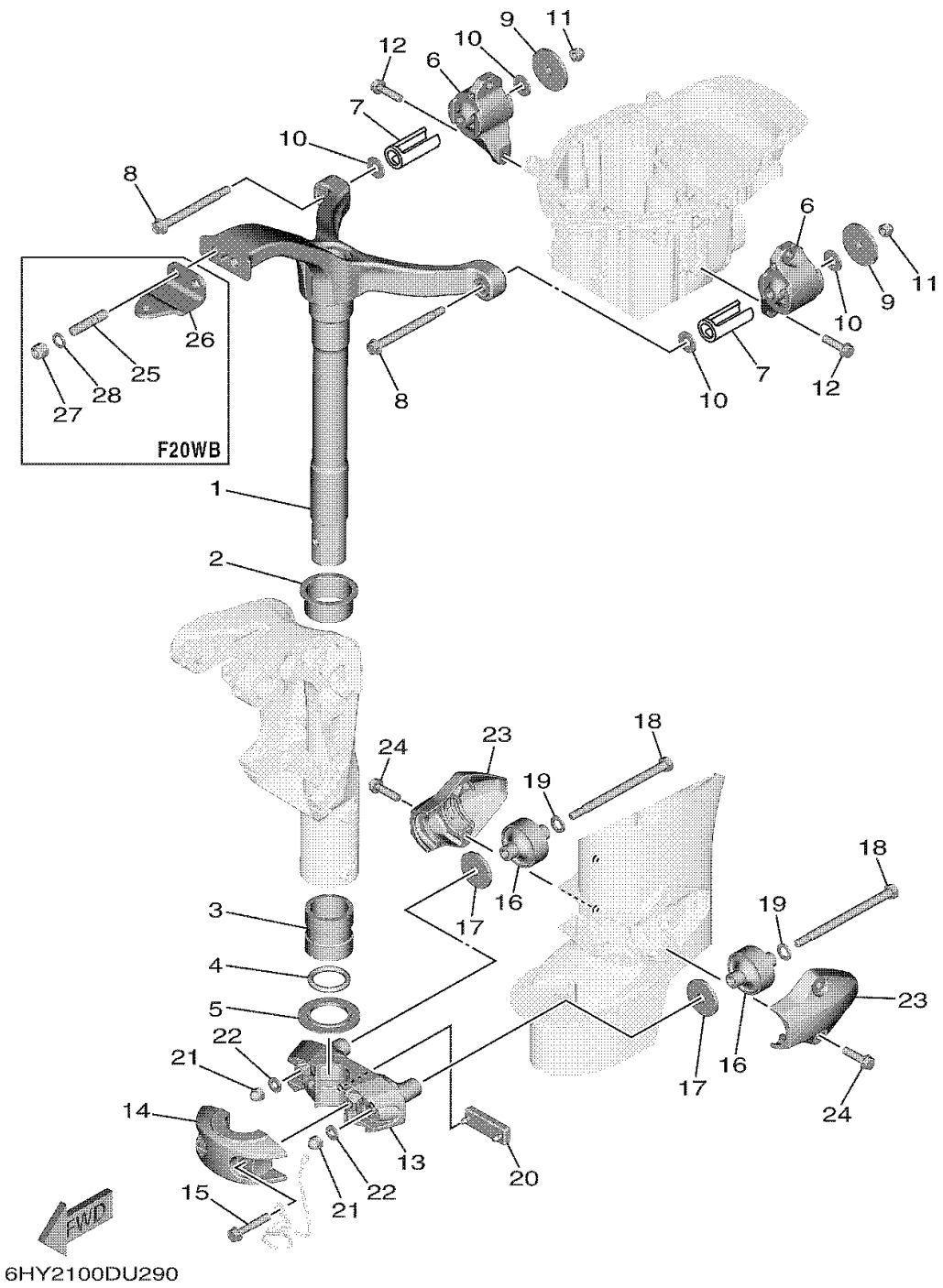


BRACKET 2

| Ref No. | Part Number | Description | Qty | Remarks |
|---------|-----------------|-------------------------------|-----|----------|
| 1 | 6FM-42511-00-8D | BRACKET, STEERING | 1 | S(16.7") |
| 1 | 6FM-42511-10-8D | BRACKET, STEERING | 0 | L(21.7") |
| 2 | 90381-45001-00 | BUSH, SOLID | 1 | |
| 3 | 90386-38M32-00 | BUSH | 1 | |
| 4 | 93210-37MH7-00 | O-RING | 1 | |
| 5 | 90386-38002-00 | BUSH | 1 | |
| 6 | 6FM-44514-10-8D | MOUNT DAMPER, UPPER SIDE | 2 | |
| 7 | 6FM-44532-00-00 | STOPPER, UPPER MOUNT | 2 | |
| 8 | 90109-08241-00 | BOLT | 2 | |
| 9 | 90201-08120-00 | WASHER, PLATE | 2 | |
| 10 | 90201-09014-00 | WASHER, PLATE | 4 | |
| 11 | 95380-08800-00 | NUT, CROWN | 2 | |
| 12 | 97E75-08530-00 | BOLT, HEXAGON W/W DEEP RECESS | 4 | |
| 13 | 6FM-44551-00-8D | HOUSING, LOWER MOUNT RUBBER 1 | 1 | |
| 14 | 6FM-44552-00-8D | HOUSING, LOWER MOUNT RUBBER 2 | 1 | |
| 15 | 97E75-08545-00 | BOLT, HEXAGON W/W DEEP RECESS | 2 | |
| 16 | 6FM-44555-11-00 | MOUNT DAMPER, LOWER SIDE | 2 | |
| 17 | 90201-10077-00 | WASHER, PLATE | 2 | |
| 18 | 90101-08M02-00 | BOLT | 2 | |
| 19 | 92995-10600-00 | WASHER | 2 | |

CONTINUED ON NEXT FRAME >



BRACKET 2

| Ref No. | Part Number | Description | Qty | Remarks |
|---------|-----------------|-------------------------------|-----|----------|
| 20 | 6E5-44575-01-00 | DAMPER, LOWER MOUNT RUBBER | 0 | L(21.7") |
| 20 | 6FM-44575-01-00 | DAMPER, LOWER MOUNT RUBBER | 1 | S(16.7") |
| 21 | 95380-08800-00 | NUT, CROWN | 2 | |
| 22 | 90201-08M08-00 | WASHER, PLATE | 2 | |
| 23 | 6FM-44553-00-8D | COVER, LOWER MOUNT | 2 | |
| 24 | 97E75-08530-00 | BOLT, HEXAGON W/W DEEP RECESS | 4 | |
| 25 | 90116-10064-00 | BOLT, STUD | 0 | |
| 26 | 65W-48511-01-00 | HOOK, STEERING | 0 | |
| 27 | 90185-10027-00 | NUT, SELF-LOCKING | 0 | |
| 28 | 90201-10049-00 | WASHER, PLATE | 0 | |