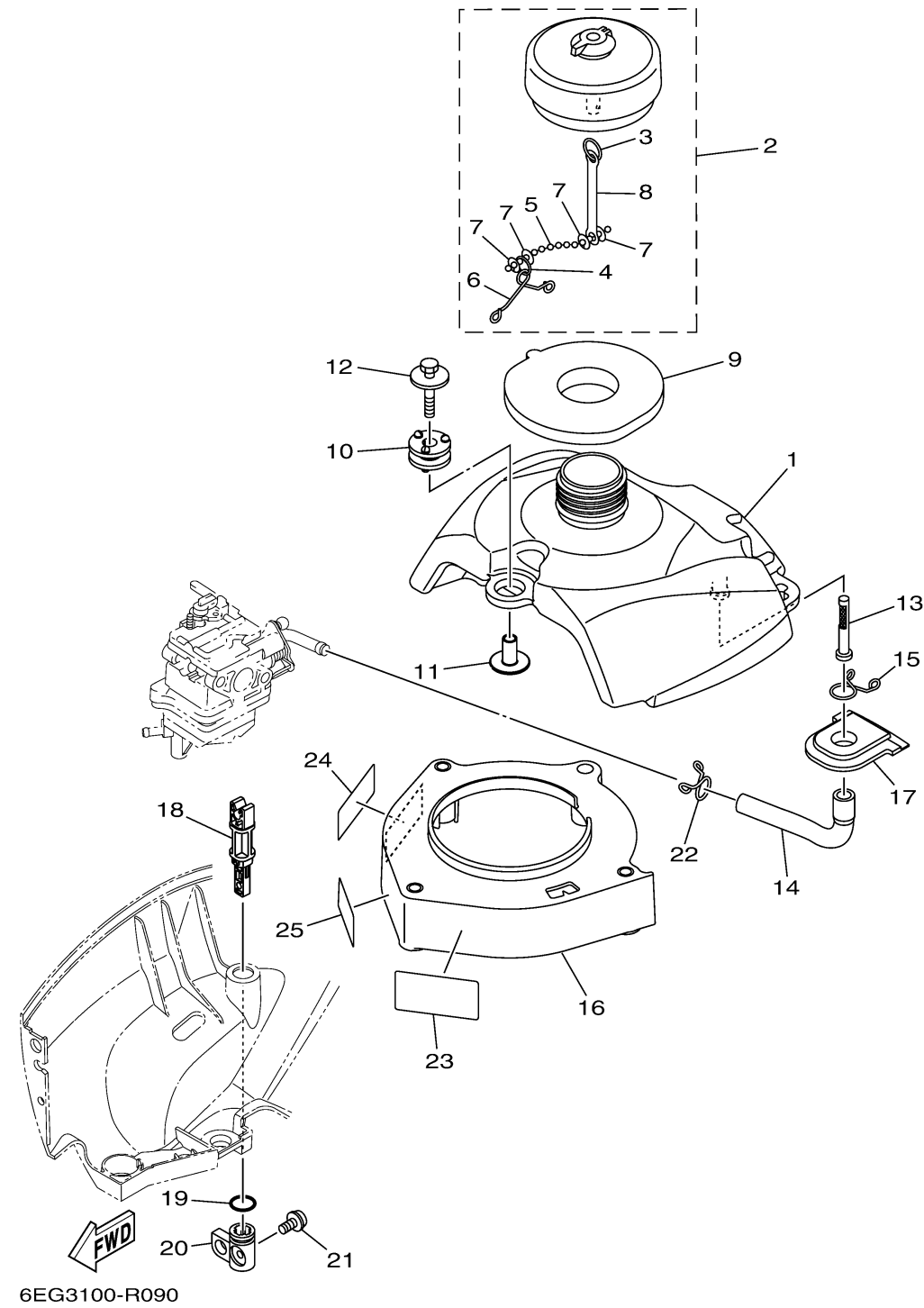


FUEL

| Ref No. | Part Number | Description | Qty | Remarks |
|---------|-----------------|----------------------|-----|---------|
| 1 | 6EG-F4111-10-00 | TANK, FUEL | 1 | |
| 2 | 69M-24610-04-00 | CAP ASSY | 1 | |
| 3 | 90468-100A2-00 | . .CLIP | 1 | |
| 4 | 90468-100A0-00 | . .CLIP | 1 | |
| 5 | 69M-24633-01-00 | . .CHAIN, BALL | 1 | |
| 6 | 624-24634-10-00 | . .HOOK, CHAIN BALL | 1 | |
| 7 | 67D-21757-00-00 | . .WASHER, SPECIAL 1 | 4 | |
| 8 | 69M-16548-00-00 | . .JOINT, CHAIN | 1 | |
| 9 | 6EG-24641-01-00 | GASKET, CAP 1 | 1 | |
| 10 | 6EG-F4375-00-00 | GROMMET | 3 | |
| 11 | 90387-06176-00 | COLLAR | 3 | |
| 12 | 90119-06300-00 | BOLT, WITH WASHER | 3 | |
| 13 | 6L5-24251-00-00 | STRAINER 1 | 1 | |
| 14 | 6EG-F4311-10-00 | PIPE, FUEL 1 | 1 | |
| 15 | 90467-13M13-00 | CLIP | 1 | |
| 16 | 6EG-F4191-00-00 | BRACKET, FUEL TANK 1 | 1 | |
| 17 | 6EG-F4181-01-00 | DAMPER, LOCATING 1 | 1 | |
| 18 | 6EG-F4554-00-00 | SHAFT, COCK | 1 | |
| 19 | 93210-128F6-00 | .O-RING | 1 | |
| 20 | 6EG-F4575-00-00 | LEVER, FUEL CHANGE | 1 | |

CONTINUED ON NEXT FRAME >



FUEL

| Ref No. | Part Number | Description | Qty | Remarks |
|---------|-----------------|--------------------|-----|---------|
| 21 | 90159-05M12-00 | SCREW, WITH WASHER | 1 | |
| 22 | 90467-11M08-00 | CLIP | 1 | |
| 23 | 6EG-E3437-70-00 | MARK, CAUTION | 1 | |
| 24 | 6EE-H1994-40-00 | LABEL, SAFETY | 1 | |
| 25 | 6EE-H1994-50-00 | LABEL, SAFETY | 1 | |

