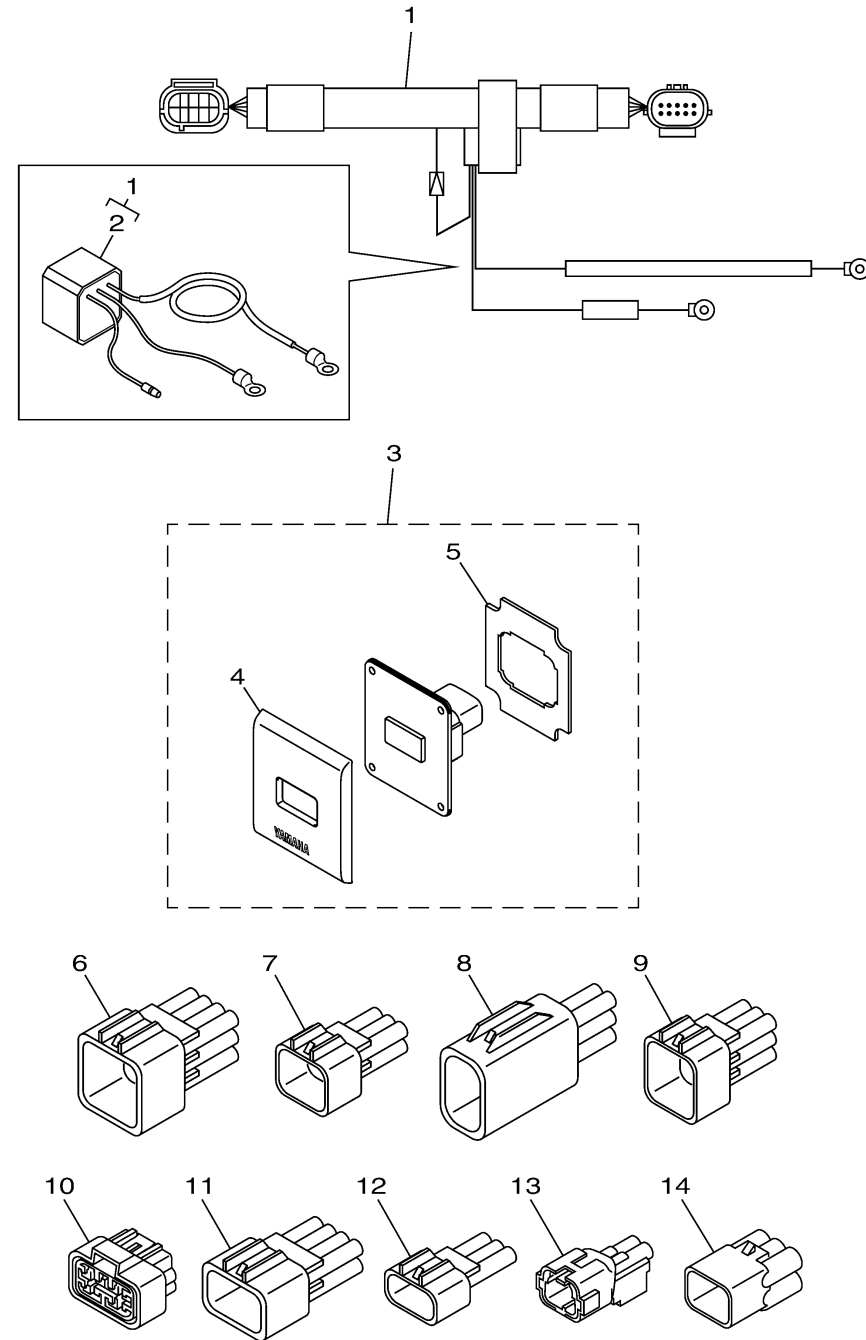


# BATTERY MANAGEMENT SYSTEM



6X91100-V250

Ref No.	Part Number	Description	Qty	Remarks
1	6X9-82716-10-00	BMS HARNESS 2	1	
2	6X9-83396-00-00	. .SWITCHING UNIT ASSY	1	
3	6X9-82570-A1-00	BATTERY SWITCH PANEL	1	YMUS ONLY
4	6X9-82571-20-00	. .PANEL, SWITCH	1	
5	6X9-22480-20-00	. .SEAL ASSY	1	
6	6X9-82582-00-00	.CAP 1 (12P)	1	
7	6X9-82582-10-00	.CAP 1 (6P)	1	
8	6X9-82582-20-00	CAP 1 (6P)	1	
9	6X9-82582-30-00	CAP 1 (9P)	1	
10	6X9-82582-40-00	CAP 1 (8P)	1	
11	6X9-82582-50-00	CAP 1 (8P)	1	
12	6X9-82582-60-00	.CAP 1 (3P)	1	
13	6X9-82582-70-00	.CAP 1 (2P)	1	
14	6X9-82582-80-00	.CAP 1 (6P)	1	