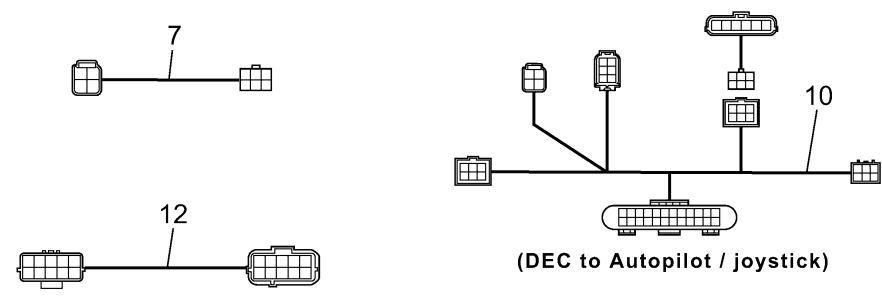
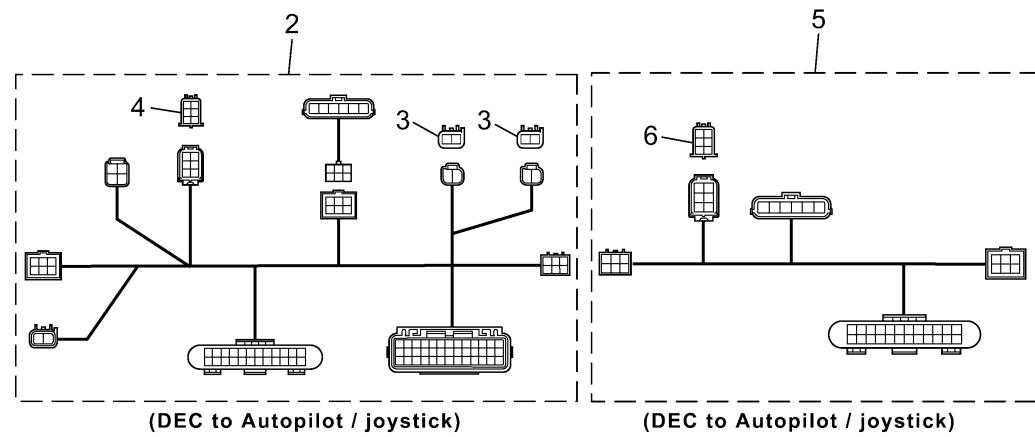
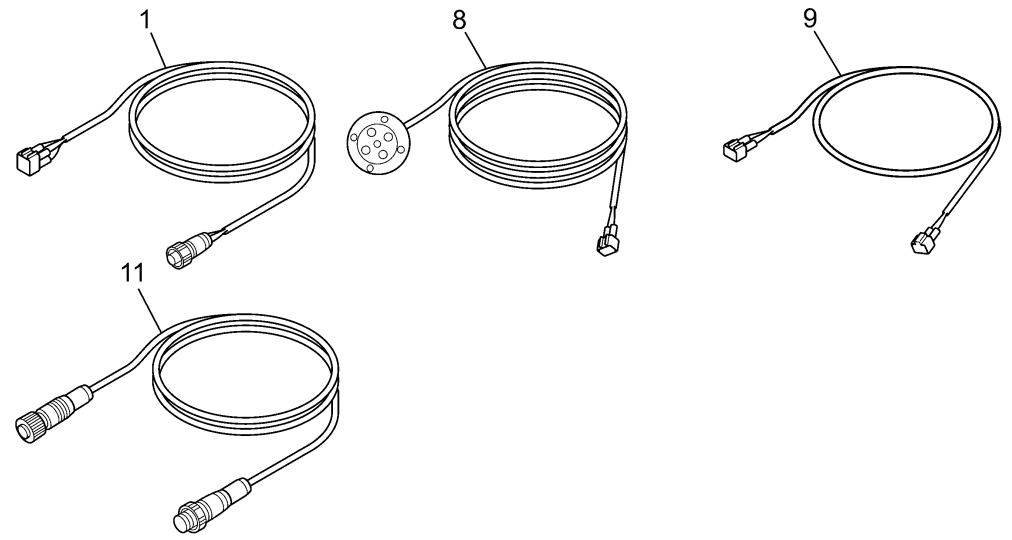


ELECTRICAL WIRE HARNESS 1

Ref No.	Part Number	Description	Qty	Remarks
1	6YM-83553-00-00	CONVERSION HARNESS	1	
2	6X9-82386-01-00	BCU HARNESS (MAIN ST)	1	
3	68V-82582-10-00	. .CAP 1 (2P)	2	
4	6X9-82582-20-00	. .CAP 1 (6P)	1	
5	6X9-82386-10-00	BCU HARNESS (2ND ST)	1	2ND STATION
6	6X9-82582-20-00	. .CAP 1 (6P)	1	
7	6X9-83553-10-00	CONVERSION HARNESS	1	6PIN-4PIN (MAIN BUS-PIGTAIL)
8	6ES-83720-02-00	L.E.D ASSY (PROP LIGHTS)	1	
9	6X9-82586-30-00	PROP LIGHT EXTN HARNESS 30FT	1	UR 9.1M-30FT
9	6X9-82586-40-00	PROP LIGHT EXTN HARNESS 40FT	1	UR 12.2M-40FT
9	6X9-82586-20-00	PROP LIGHT EXTN HARNESS 20FT	1	UR 6.1M-20FT
10	6X9-82386-20-00	BCU HARNESS (QUINT/MAIN ST)	1	FOR QUINT ENGINE
11	6YG-82521-00-00	GATEWAY HARNESS	1	
12	6X9-82586-00-00	EKS HARNESS EXTENSION 4.6M-15F	1	UR
12	6X9-82586-10-00	EKS HARNESS EXTENSION 9.1M-30F	1	UR



6X91100-X250