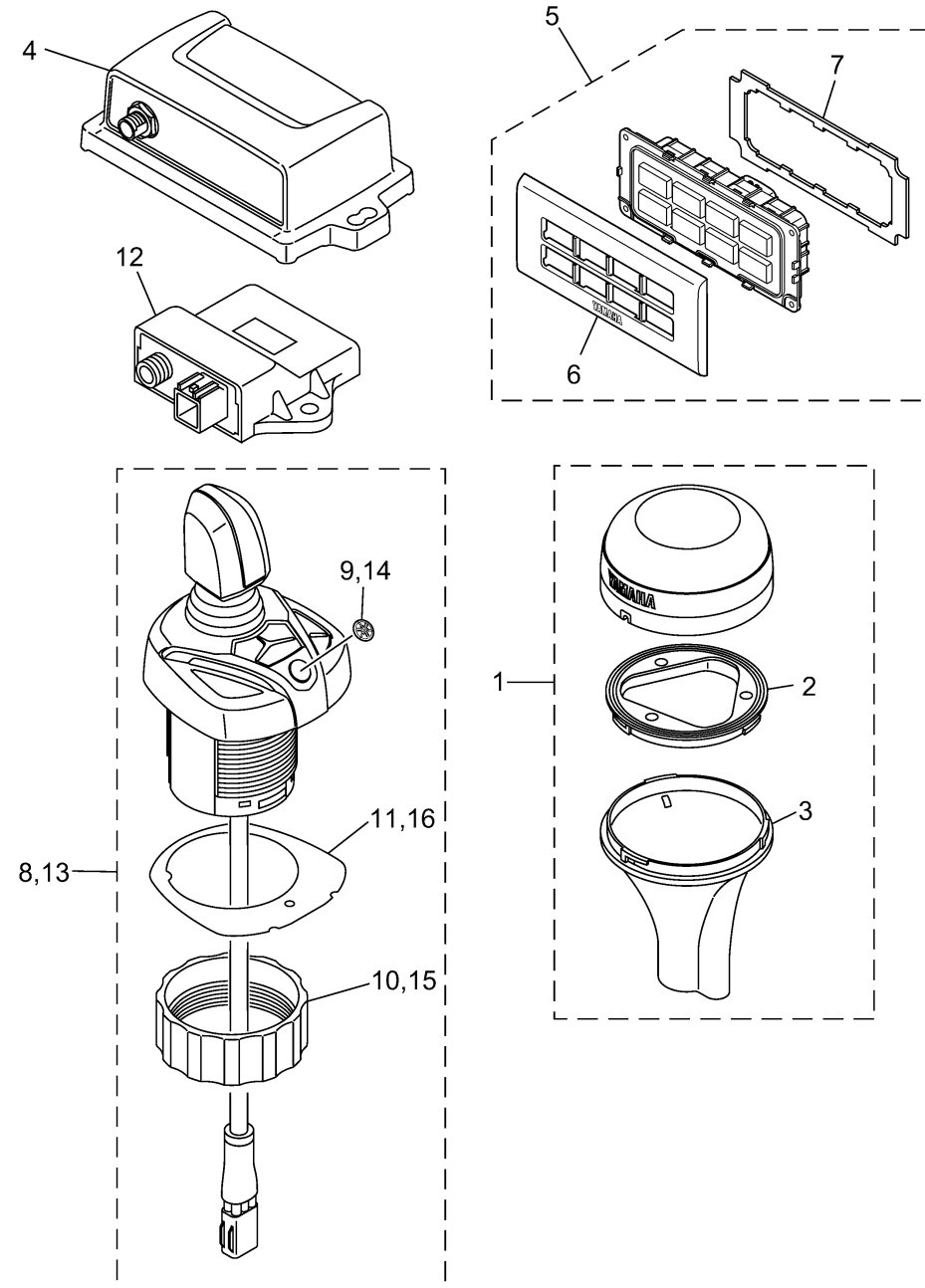


# JOYSTICK AND AUTOPILOT



6X91100-X240

Ref No.	Part Number	Description	Qty	Remarks
1	6X9-88107-02-00	GPS UNIT	1	
2	6X9-8252H-00-00	..PLATE, HOLDER	1	
3	6X9-8255H-00-00	..HOLDER, SOCKET	1	
4	6X9-8A410-01-00	HEADING SENSOR	1	
5	6X9-8253V-01-00	AUTOPILOT PANEL	1	
6	6X9-82571-80-00	..PANEL, SWITCH	1	
7	6X9-22480-80-00	..SEAL ASSY	1	
8	6X9-482A0-02-00	JOYSTICK ASSY	1	ASK TO MARINE DIV
9	6X9-42697-00-00	..TUNING FORK MARK	1	
10	6X9-48156-00-00	..NUT 1	1	
11	6X9-4823A-00-00	..PACKING	1	
12	6YG-8A2D0-13-00	GATEWAY	1	FOR OTHER COMPATIBLE MFD
13	6X9-482A0-10-00	JOYSTICK ASSY	1	ASK TO MARINE DIV
14	6X9-42697-00-00	..TUNING FORK MARK	1	
15	6X9-48156-00-00	..NUT 1	1	
16	6X9-4823A-00-00	..PACKING	1	