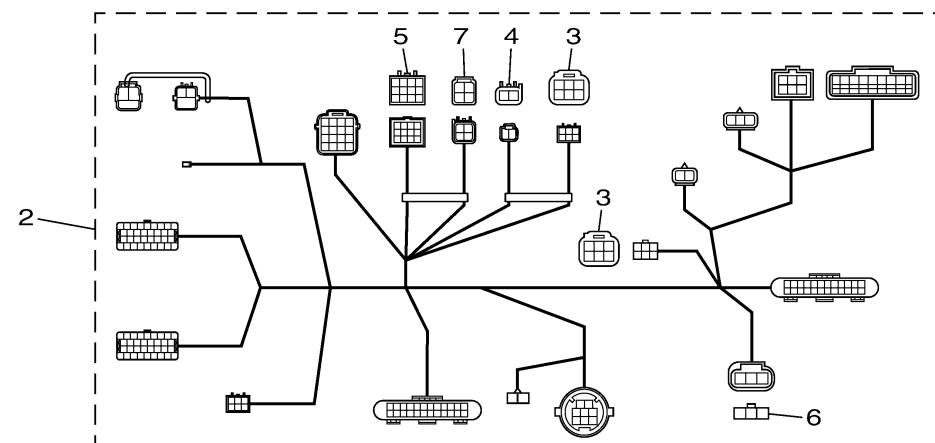
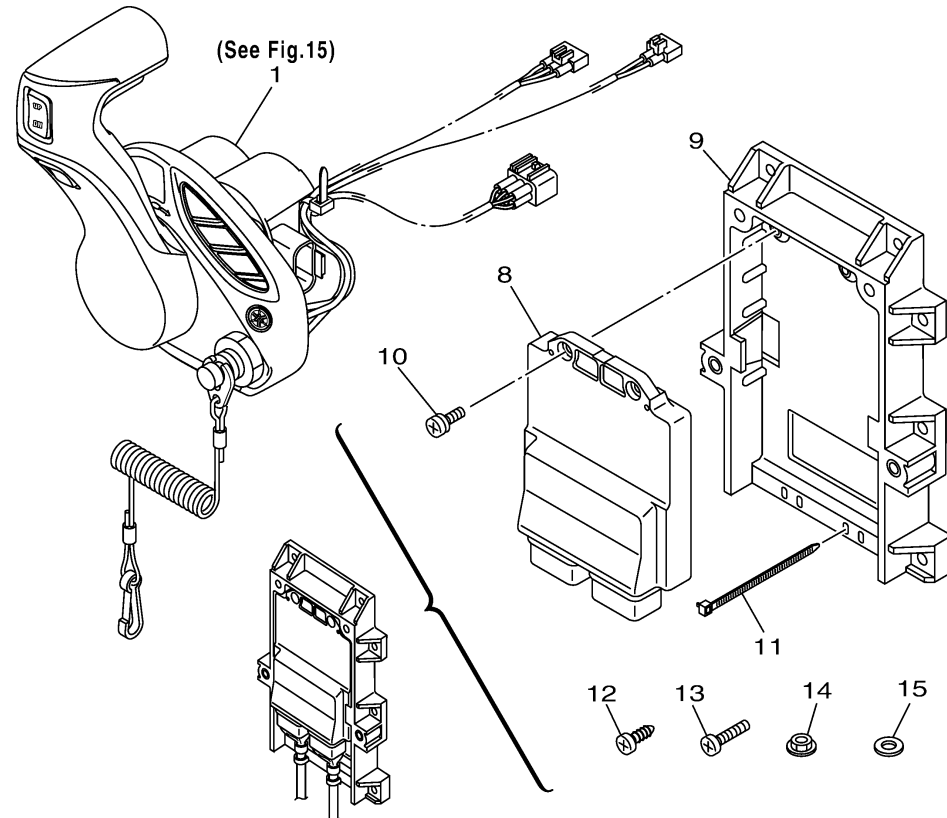


# DEC 8 (FLUSH MOUNT/MAIN ST)

## DIGITAL ELECTRONIC CONTROL (FLUSH SIDE MOUNT/ MAIN STATION)



601R10R-V200

Ref No.	Part Number	Description	Qty	Remarks
1	6X9-48A00-01-00	REMOTE CONTROL BOX ASSY 1	1	ASK TO MARINE DIV
2	6X9-82580-21-00	WIRE HARNESS ASSY 2	1	
3	6Y8-85371-01-00	. .END OF LINE RESISTOR	2	
4	68V-82582-10-00	. .CAP 1 (2P)	1	
5	6X9-82582-00-00	. .CAP 1 (12P)	1	
6	6X9-82582-60-00	. .CAP 1 (3P)	1	
7	6Y8-82582-11-00	. .CAP 1 (4PIN)	1	
8	6X6-85590-42-00	CONTROL UNIT ASSY	1	
9	6X9-48211-00-00	HOUSING,1	1	
10	97607-05212-00	SCREW, WITH WASHER	2	
11	90465-13M11-00	CLAMP	2	
12	90167-06M00-00	SCREW, TAPPING	8	
13	97880-06035-00	SCREW, PAN HEAD	8	
14	95780-06300-00	NUT, FLANGE	8	
15	90201-06M30-00	WASHER, PLATE	8	