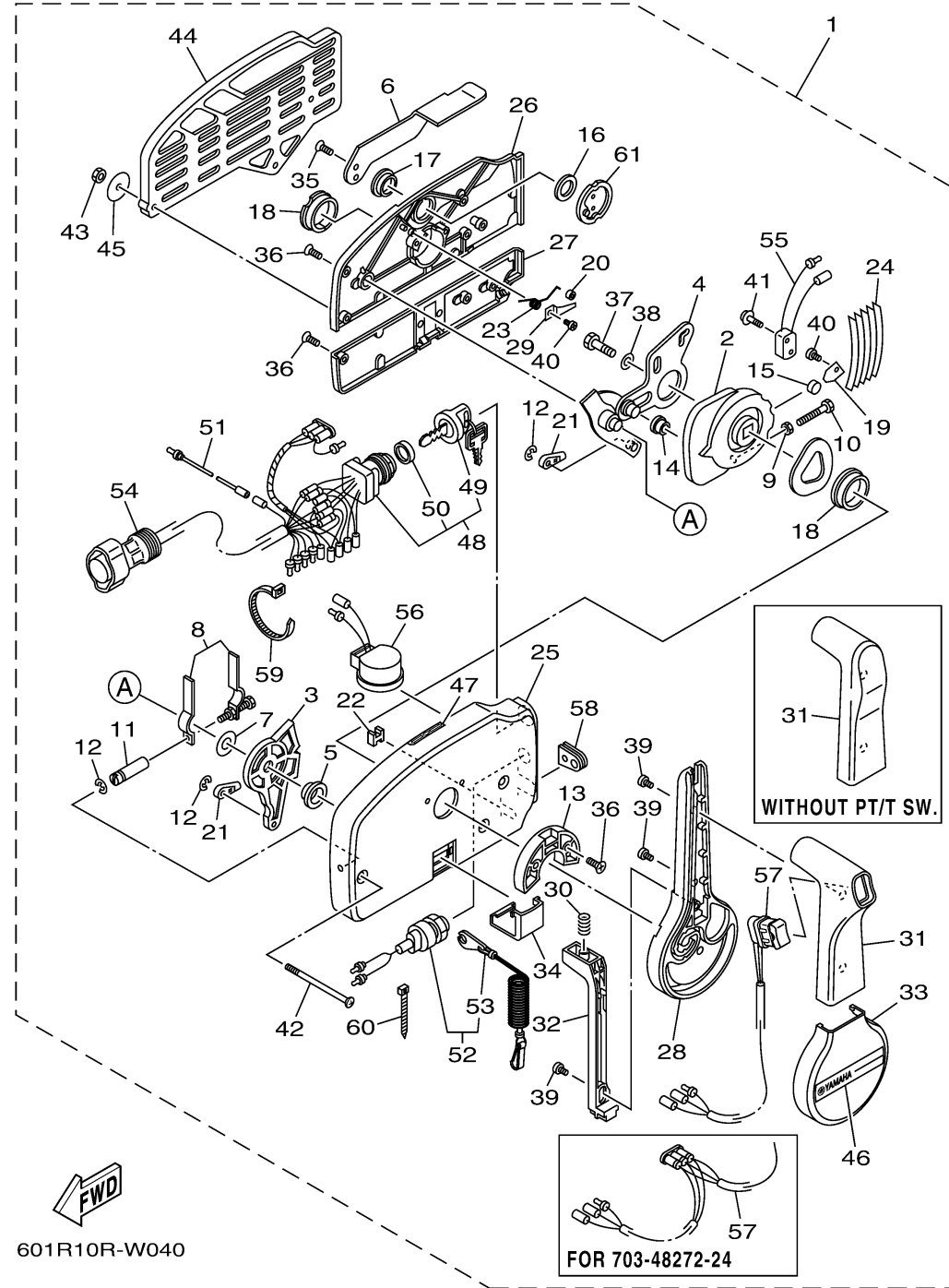


REMOTE CONTROL ASSY 1

703 REMOTE CONTROL (PULL TO OPEN TYPE)



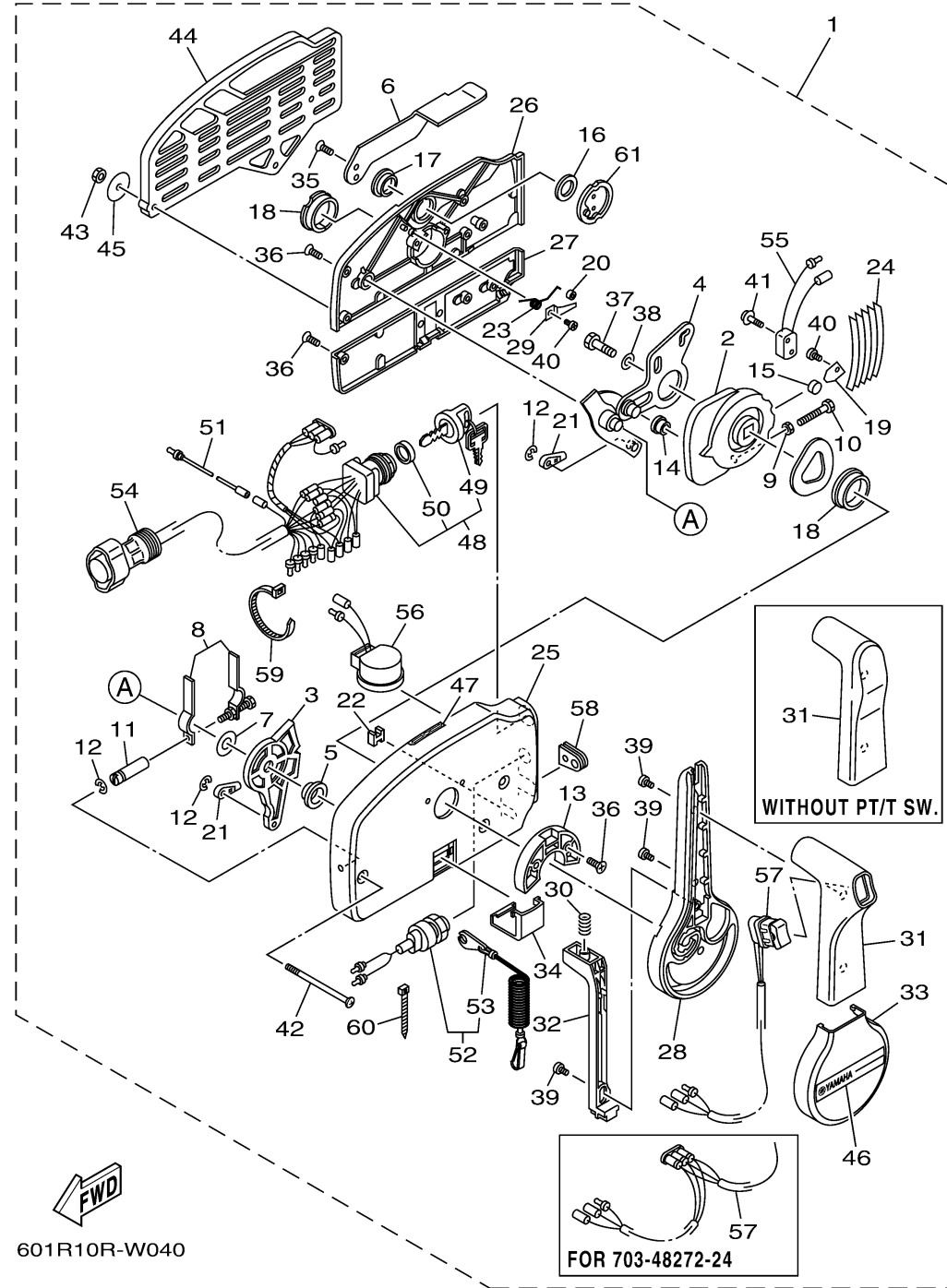
601R10R-W040

Ref No.	Part Number	Description	Qty	Remarks
1	703-48210-23-00	REMOTE CONTROL ASSY (10P)	1	UR WITHOUT PT/T SW.
1	703-48230-23-00	REMOTE CONTROL ASSY (7P)	1	UR WITHOUT PT/T SW.
1	703-48250-24-00	REMOTE CONTROL ASSY (10P, PTT)	1	UR WITH PT/T SW.
1	703-48272-24-00	REMOTE CONTROL ASSY (10P, PTT)	1	UR WITH PT/T SW.
2	703-48232-00-00	..GEAR	1	
3	703-48271-00-00	..ARM, SHIFT	1	
4	703-48261-11-00	..ARM, THROTTLE	1	
5	703-48235-00-00	..BUSHING	1	
6	703-48152-10-00	..KNOB, FREE ACCEL.	1	
7	703-48268-00-00	..SPACER	1	
8	703-48264-00-00	..FRICTION, THROTTLE	1	
9	95380-05600-00	..NUT	1	
10	97380-05025-00	..BOLT	1	
11	703-48265-10-00	..SHAFT, FRICTION	1	
12	93430-06024-00	..CIRCLIP	3	
13	703-48245-00-00	..PLATE, LOCK	1	
14	703-48252-00-00	..ROLLER, CAM	1	
15	701-48248-00-00	..ROLLER, FREE ACCEL.	1	
16	703-48198-00-00	..WASHER, WAVE	1	
17	703-48243-00-00	..BUSHING	1	

CONTINUED ON NEXT FRAME >

REMOTE CONTROL ASSY 1

703 REMOTE CONTROL (PULL TO OPEN TYPE)

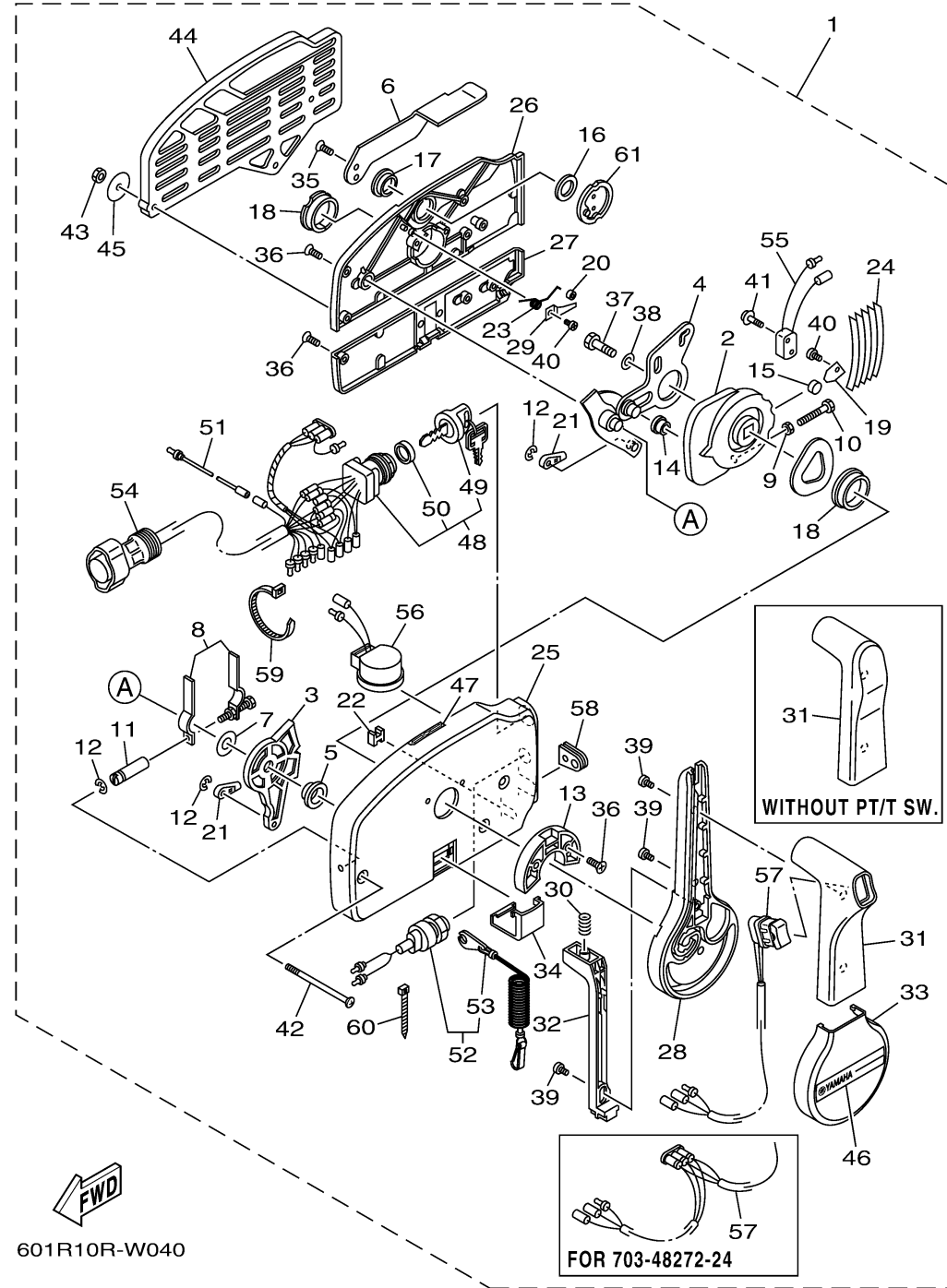


Ref No.	Part Number	Description	Qty	Remarks
18	703-48236-00-00	..BUSHING 1	2	
19	703-48189-00-00	..RETAINER	1	
20	703-48234-00-00	..ROLLER, DETENT	1	
21	703-48345-01-00	..CABLE END, REMOTE CONTROL 2	2	
22	703-48358-01-00	..ANCHOR, CABLE	1	
23	703-48244-00-00	..SPRING, FREE ACCEL.	1	
24	703-48238-00-00	..SPRING, DETENT	5	
25	703-48211-10-00	..HOUSING,1	1	
26	703-48212-10-00	..BACK PLATE 1	1	
27	703-48213-10-00	..BACK PLATE 2	1	
28	703-48221-10-00	..LEVER, CONTROL	1	
29	703-48246-00-00	..SPACER	1	
30	703-48227-00-00	..SPRING, NEUTRAL LOCK	1	
31	703-48222-20-00	..GRIP, CONTROL LEVER	1	WITH PT/T SW.
31	703-48222-30-00	..GRIP, CONTROL LEVER	1	WITHOUT PT/T SW.
32	703-48223-10-00	..LOCK, NEUTRAL	1	
33	703-48225-10-00	..COVER	1	
34	703-48219-10-00	..COVER, LEAD	1	
35	703-48281-00-00	..SCREW	2	
36	703-44189-20-00	..SCREW	7	

CONTINUED ON NEXT FRAME >

REMOTE CONTROL ASSY 1

703 REMOTE CONTROL (PULL TO OPEN TYPE)



Ref No.	Part Number	Description	Qty	Remarks
37	97380-08030-00	..BOLT	1	
38	92990-08600-00	..WASHER, PLATE	1	
39	703-48128-10-00	..SCREW 2	3	
40	98580-04006-00	..SCREW, PAN HEAD	2	
41	703-48129-00-00	..SCREW 3	2	
42	703-44189-30-00	..SCREW	3	
43	95380-06600-00	..NUT, HEXAGON	3	
44	703-48293-11-00	..SPACER, REMOTE CONTROL	1	SINGLE
45	701-48287-00-00	..WASHER	3	
46	703-48215-11-00	..GRAPHIC	1	
47	6X3-44191-00-00	..INDICATOR, SHIFT	1	
48	703-82510-45-00	..MAIN SWITCH ASSY	1	EXCEPT 703-48230-23
48	703-82510-34-00	..MAIN SWITCH ASSY	1	FOR 703-48230-23
49	703-82577-00-00	...CAP, KEY	1	
50	6K1-82532-00-00	...CAP	1	
51	703-82531-00-00	..WIRE, LEAD (L70)	1	
52	688-82575-02-00	..ENGINE STOP SWITCH ASSY	1	
53	682-82556-00-00	.. LANYARD, STOP SWITCH	1	
54	688-8258A-20-00	..EXTENSION, WIRE HARNESS (4.9M)	1	EXCEPT 703-48230-23 (10P)
54	688-82586-21-00	..EXTENSION, WIRE HARNESS (4.9M)	1	FOR 703-48230-23 (7P)

CONTINUED ON NEXT FRAME >

