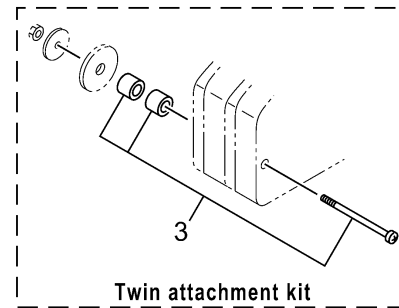
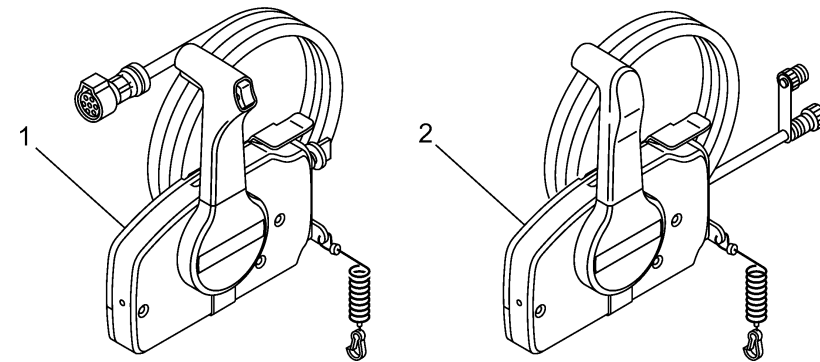


703 REMOTE CONTROL

Part No.	Throttle		Choke	PTT	Coupler			Mount		Remarks
	Push	Pull			7-pin	10-pin	2-pin	R	L	
703-48210-23		1	1			1		1		
703-48230-23		1	1		1			1		For analog gauge only
703-48250-24		1	1	1		1		1		
703-48272-24		1	1	1		1		1		For additional trim SW
703-48201-23	1		1			1		1		
703-48201-B3	1					1		1		
703-48203-23	1		1		1			1		For analog gauge only
703-48205-24	1		1	1		1		1		
703-48205-B4	1			1		1		1		
703-48207-24	1		1	1		1		1		For additional trim SW
703-48206-22	1						1	1		Successor model of 701 RC
703-48260-22		1					1	1		Successor model of 701 RC
703-48290-02	Twin attachment kit								For twin engine application	



601R10R-X010

REMOTE CONTROL BOX 1

Ref No.	Part Number	Description	Qty	Remarks
1	703-48207-24-00	REMOTE CONTROL ASSY (10P, PTT)	1	UR WITH PT/T SW.
1	703-48205-B4-00	REMOTE CONTROL ASSY (10P, PTT)	1	UR WITH PT/T SW.
1	703-48205-24-00	REMOTE CONTROL ASSY (10P, PTT)	1	UR WITH PT/T SW.
1	703-48203-23-00	REMOTE CONTROL ASSY (7P)	1	UR WITHOUT PT/T SW.
1	703-48201-B3-00	REMOTE CONTROL ASSY (10P)	1	UR WITHOUT PT/T SW.
1	703-48201-23-00	REMOTE CONTROL ASSY (10P)	1	UR WITHOUT PT/T SW.
1	703-48272-24-00	REMOTE CONTROL ASSY (10P, PTT)	1	UR WITH PT/T SW.
1	703-48250-24-00	REMOTE CONTROL ASSY (10P, PTT)	1	UR WITH PT/T SW.
1	703-48230-23-00	REMOTE CONTROL ASSY (7P)	1	UR WITHOUT PT/T SW.
1	703-48210-23-00	REMOTE CONTROL ASSY (10P)	1	UR WITHOUT PT/T SW.
2	703-48260-22-00	REMOTE CONTROL ASSY	1	UR WITHOUT PT/T SW.
2	703-48206-22-00	REMOTE CONTROL ASSY	1	UR WITHOUT PT/T SW.
3	703-48290-02-00	TWIN ATTACHMENT	1	FOR TWIN