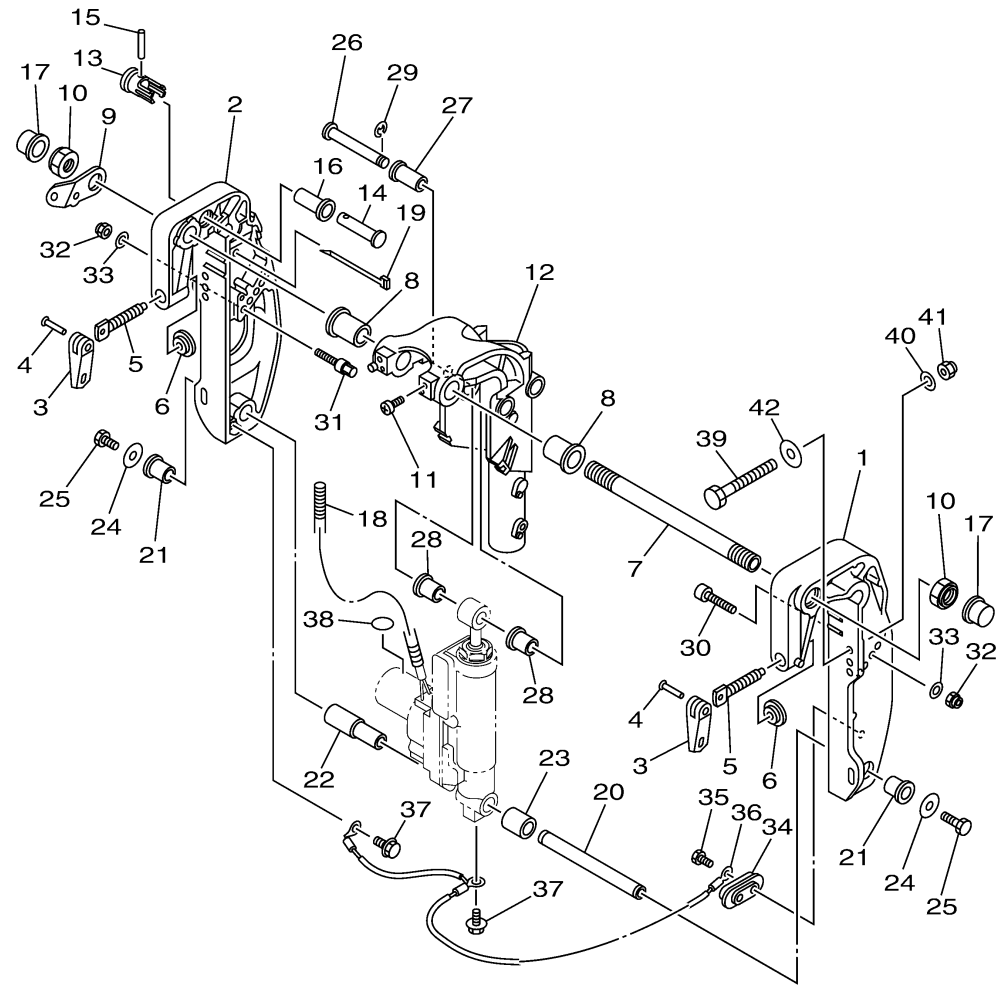


# BRACKET 1



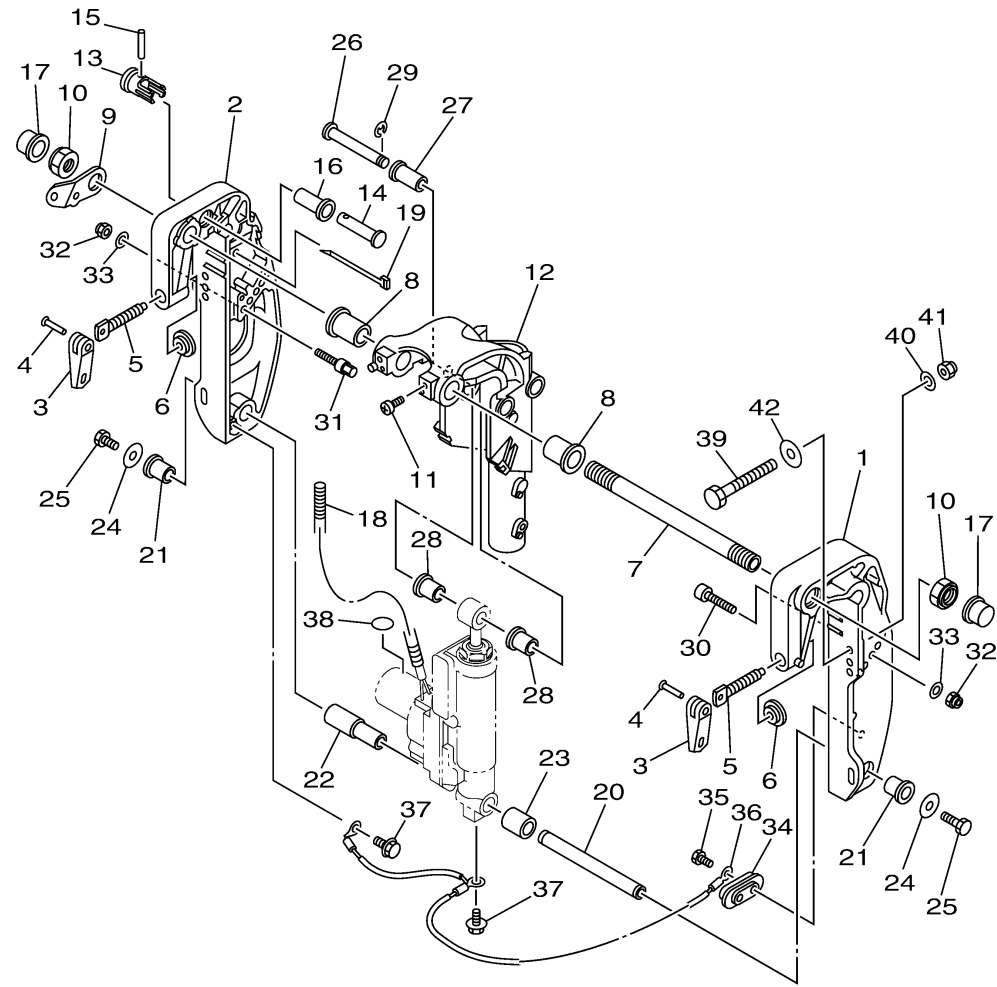
Ref No.	Part Number	Description	Qty	Remarks
1	69A-43111-01-8D	BRACKET, CLAMP 1	1	
2	69A-43112-02-8D	BRACKET, CLAMP 2	1	
3	6E0-43118-01-00	HANDLE, TRANSOM CLAMP	2	
4	90243-04M01-00	PIN	2	
5	6E7-43116-00-00	SCREW, TRANSOM CLAMP	2	
6	648-43114-01-00	PAD, TRANSOM CLAMP	2	
7	69A-43131-00-00	BOLT, CLAMP BRACKET	1	FOR RIDE GUIDE
8	90386-22MA4-00	BUSH	2	
9	69A-43113-00-00	PLATE, CLAMP BRACKET	1	
10	90185-22043-00	NUT, SELF-LOCKING	2	
11	97885-08010-00	SCREW, PAN HEAD	0	
12	69G-43311-11-8D	BRACKET, SWIVEL 1	1	
13	6FM-43192-00-00	KNOB, STOPPER	1	
14	65W-43191-00-00	SHAFT, STOPPER	1	
15	91690-30018-00	PIN, SPRING	1	
16	6FM-43189-00-00	BUSHING	1	
17	6G5-43145-01-00	CAP, CLAMP BRACKET	2	
18	90447-10001-00	TUBE	1	
19	90465-13M97-00	CLAMP	1	
20	69G-43818-00-00	PIN, LOWER SHOCK MOUNT	1	

CONTINUED ON NEXT FRAME >



6EA9100-V230

# BRACKET 1



Ref No.	Part Number	Description	Qty	Remarks
21	90386-16MA7-00	BUSH	2	
22	90386-16MA8-00	BUSH	1	
23	90387-16M02-00	COLLAR	1	
24	90201-08M00-00	WASHER, PLATE	2	
25	97080-08016-00	BOLT	2	
26	90249-12M36-00	PIN	1	
27	90381-12M10-00	BUSH, SOLID	1	
28	90381-12M11-00	BUSH, SOLID	2	
29	99080-10600-00	CIRCLIP	1	
30	90110-08M05-00	BOLT, HEXAGON SOCKET HEAD	1	
31	90109-08010-00	BOLT	1	
32	90185-08057-00	NUT, SELF-LOCKING	2	
33	92990-08600-00	..WASHER, PLATE	2	
34	65W-45251-00-00	.ANODE	1	
35	90101-06020-00	.BOLT	2	
36	63V-82127-00-00	WIRE, LEAD 2	1	
37	97E95-06510-00	BOLT, HEXAGON W/W DEEP RECESS	2	
38	69A-43155-00-00	MARK 1	1	
39	90101-08M88-00	BOLT	2	
40	92990-08600-00	..WASHER, PLATE	2	

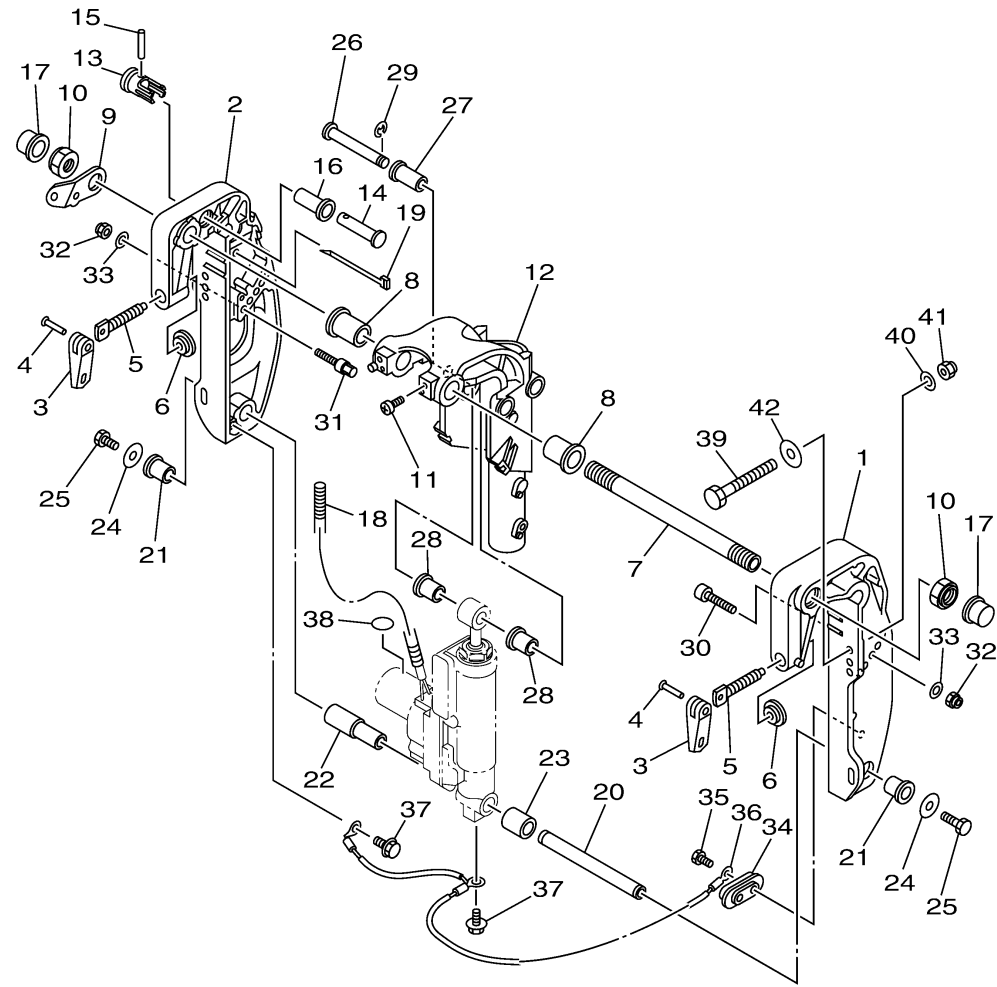
CONTINUED ON NEXT FRAME >



6EA9100-V230

# BRACKET 1

Ref No.	Part Number	Description	Qty	Remarks
41	90185-08057-00	NUT, SELF-LOCKING	2	
42	90201-08MA4-00	WASHER, PLATE	2	



6EA9100-V230