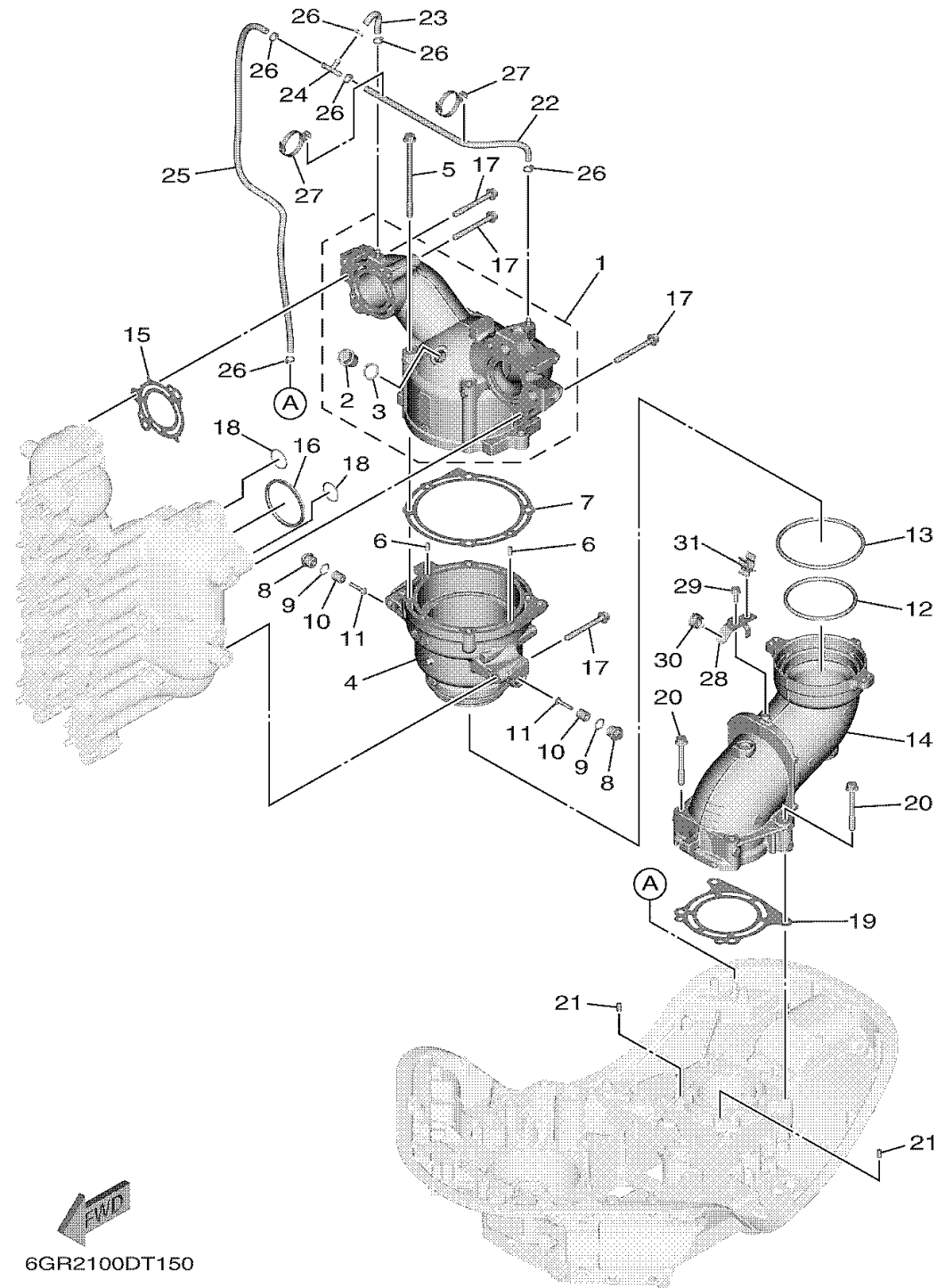


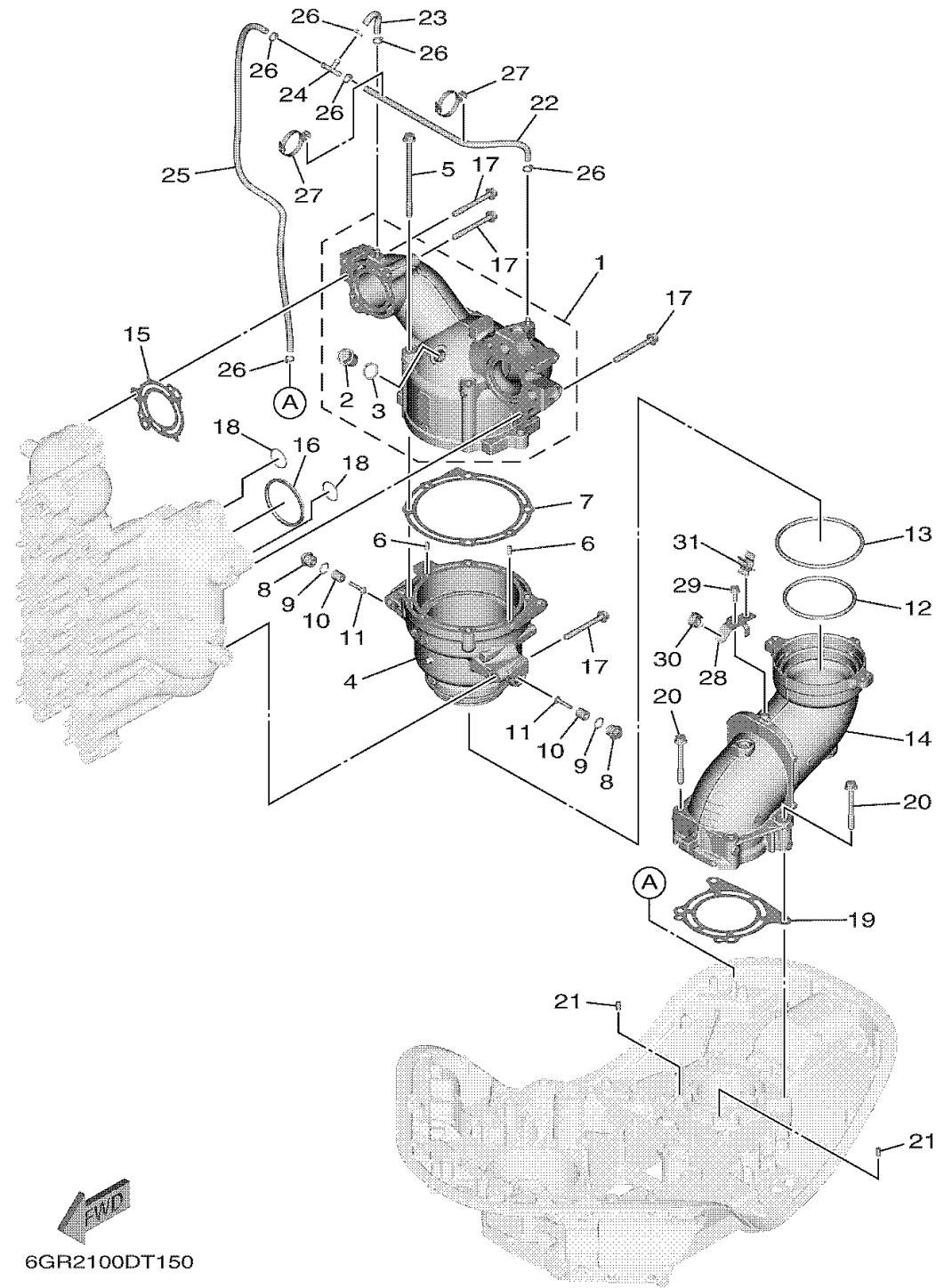
EXHAUST 2



| Ref No. | Part Number | Description | Qty | Remarks |
|---------|-----------------|-----------------------------|-----|---------|
| 1 | 6GR-14635-00-9S | JOINT, EXHAUST 3 | 1 | |
| 2 | 90340-18M09-00 | . PLUG, STRAIGHT SCREW | 1 | |
| 3 | 90201-186F1-00 | . WASHER, PLATE | 1 | |
| 4 | 6GR-14645-00-9S | JOINT, EXHAUST 4 | 1 | |
| 5 | 90105-08268-00 | BOLT, FLANGE | 4 | |
| 6 | 93606-12019-00 | .PIN, DOWEL | 2 | |
| 7 | 6GR-41124-00-00 | GASKET, EXHAUST OUTER COVER | 1 | |
| 8 | 6G8-11197-A0-00 | PLUG, BLIND | 2 | |
| 9 | 93210-13M63-00 | .O-RING | 2 | |
| 10 | 6G8-11325-00-00 | ANODE | 2 | |
| 11 | 98980-05025-00 | SCREW, BIND | 2 | |
| 12 | 93210-90001-00 | O-RING | 1 | |
| 13 | 93211-10001-00 | O-RING | 1 | |
| 14 | 6GR-14656-00-9S | JOINT, EXHAUST 5 | 1 | |
| 15 | 6GR-41114-00-00 | GASKET, EXHAUST OUTER COVER | 1 | |
| 16 | 6GR-14643-00-00 | GASKET 3 | 1 | |
| 17 | 90105-08220-00 | BOLT, FLANGE | 7 | |
| 18 | 93210-26003-00 | O-RING | 2 | |
| 19 | 6GR-41134-00-00 | GASKET, EXHAUST MANIFOLD | 1 | |
| 20 | 90105-08220-00 | BOLT, FLANGE | 4 | |

CONTINUED ON NEXT FRAME >

EXHAUST 2



| Ref No. | Part Number | Description | Qty | Remarks |
|---------|-----------------|--------------------------|-----|---------|
| 21 | 93606-12019-00 | .PIN, DOWEL | 2 | |
| 22 | 90445-09104-00 | HOSE (L300) | 1 | |
| 23 | 6GR-12482-00-00 | PIPE 2 | 1 | |
| 24 | 688-24378-00-00 | PIPE, JOINT 3 | 1 | |
| 25 | 90445-09047-00 | HOSE (L630) | 1 | |
| 26 | 90465-11M10-00 | CLAMP | 6 | |
| 27 | 90464-09028-00 | CLAMP | 2 | |
| 28 | 6GR-82588-00-00 | PLATE | 1 | |
| 29 | 95D95-06016-00 | BOLT, FLANGE DEEP RECESS | 1 | |
| 30 | 90464-13249-00 | CLAMP | 1 | |
| 31 | 90464-12015-00 | CLAMP | 1 | |