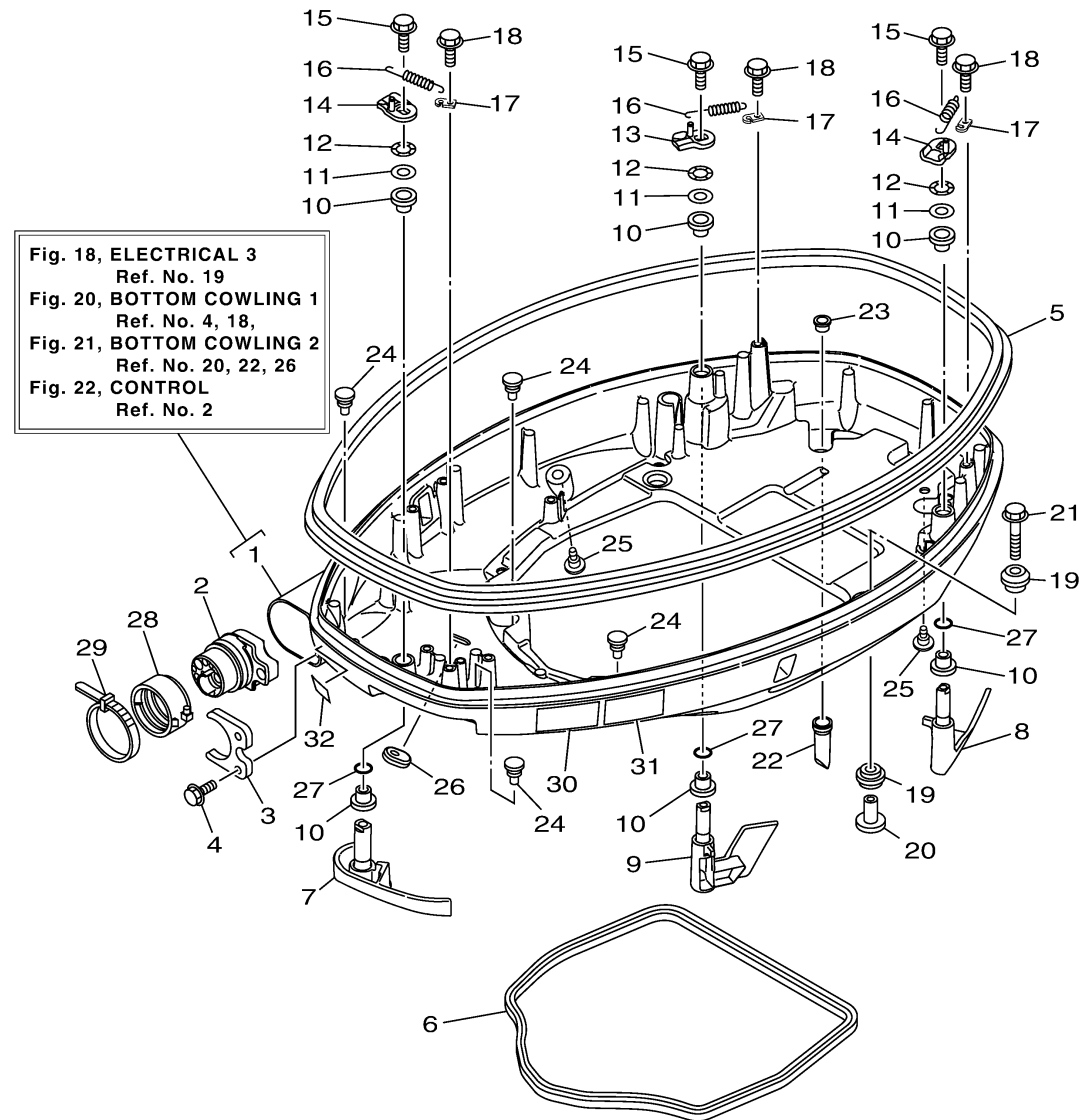


# BOTTOM COWLING 1



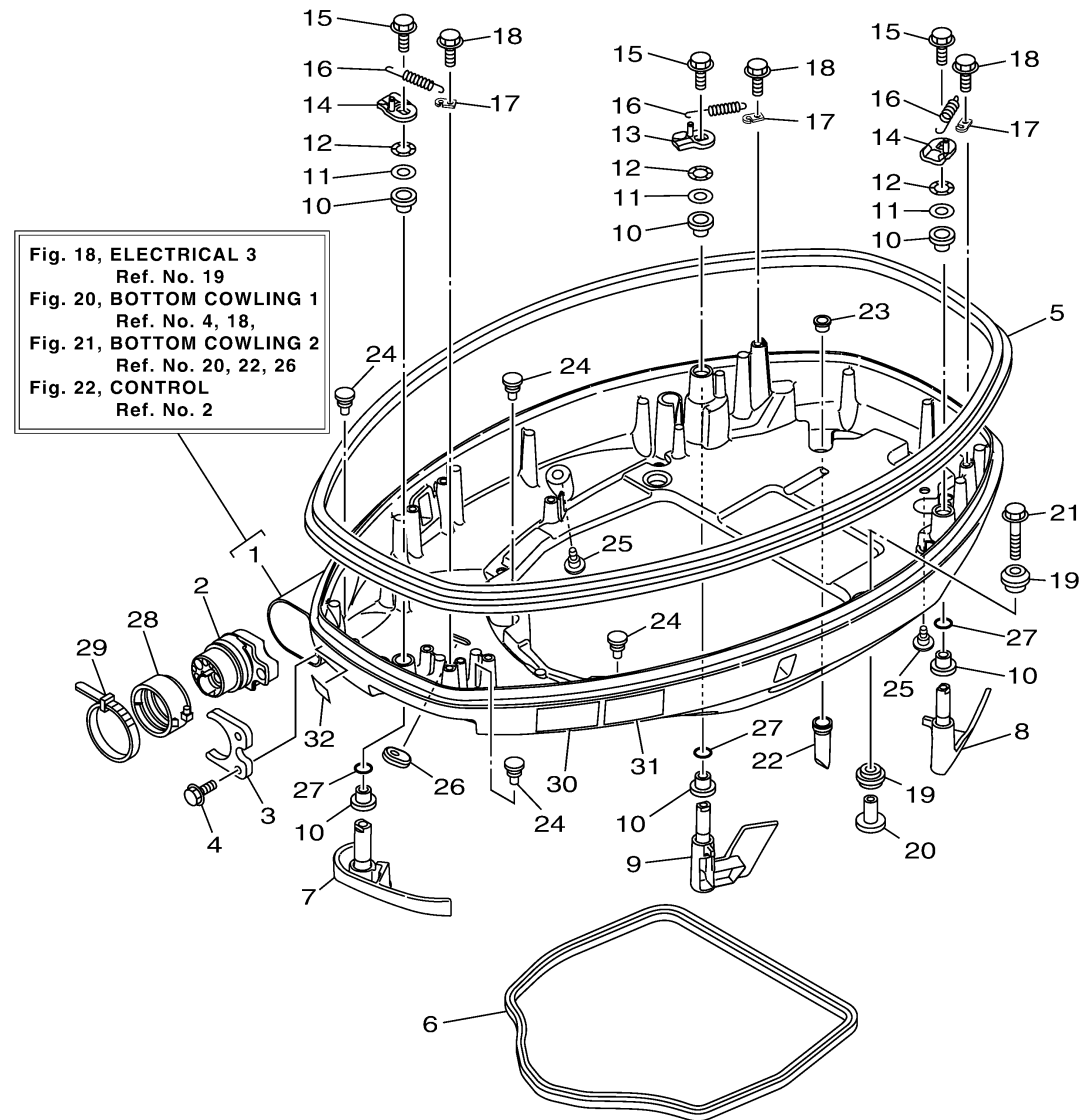
| Ref No. | Part Number     | Description              | Qty | Remarks |
|---------|-----------------|--------------------------|-----|---------|
| 1       | 63P-42710-11-CE | BOTTOM COWLING ASSY      | 0   | WHITE   |
| 1       | 63P-42710-11-8D | BOTTOM COWLING ASSY      | 1   | GRAY    |
| 2       | 6DA-42725-03-00 | GROMMET                  | 1   |         |
| 3       | 6CB-42761-00-00 | STOPPER                  | 1   |         |
| 4       | 90109-06316-00  | BOLT                     | 2   |         |
| 5       | 63P-42615-10-00 | SEAL                     | 1   |         |
| 6       | 63P-42716-01-00 | RUBBER SEAL 1            | 1   |         |
| 7       | 63P-42815-11-CE | LEVER, CLAMP 1           | 0   | WHITE   |
| 7       | 63P-42815-11-8D | LEVER, CLAMP 1           | 1   | GRAY    |
| 8       | 6DA-42816-02-CE | LEVER, CLAMP 2           | 0   | WHITE   |
| 8       | 6DA-42816-02-8D | LEVER, CLAMP 2           | 1   | GRAY    |
| 9       | 6DA-42817-02-8D | LEVER, CLAMP 3           | 1   | GRAY    |
| 9       | 6DA-42817-02-CE | LEVER, CLAMP 3           | 0   | WHITE   |
| 10      | 90386-15M73-00  | BUSH                     | 6   |         |
| 11      | 90201-156J2-00  | WASHER, PLATE            | 3   |         |
| 12      | 90206-15M18-00  | WASHER, WAVE             | 3   |         |
| 13      | 6CB-42818-00-00 | LEVER, CLAMP 4           | 1   |         |
| 14      | 6CB-42819-00-00 | LEVER, CLAMP 5           | 2   |         |
| 15      | 95D95-08012-00  | BOLT, FLANGE DEEP RECESS | 3   |         |
| 16      | 90506-22001-00  | SPRING, TENSION          | 3   |         |

CONTINUED ON NEXT FRAME >

  
63PJ100-U200

# BOTTOM COWLING 1

| Ref No. | Part Number     | Description              | Qty | Remarks          |
|---------|-----------------|--------------------------|-----|------------------|
| 17      | 66T-43144-00-00 | HOOK, SPRING             | 3   |                  |
| 18      | 90109-06316-00  | BOLT                     | 3   |                  |
| 19      | 90480-22M81-00  | GROMMET                  | 8   |                  |
| 20      | 90387-08M37-00  | COLLAR                   | 4   |                  |
| 21      | 90119-08187-00  | BOLT, WITH WASHER        | 4   |                  |
| 22      | 6DA-42717-01-00 | RUBBER, SEAL 2           | 4   |                  |
| 23      | 6DA-42384-00-00 | SEAL, CAP                | 4   |                  |
| 24      | 6H4-42748-01-00 | GROMMET                  | 4   |                  |
| 25      | 6P2-44391-00-00 | NIPPLE, HOSE             | 2   |                  |
| 26      | 6KA-42727-00-00 | GROMMET                  | 1   |                  |
| 27      | 93210-13M63-00  | .O-RING                  | 3   |                  |
| 28      | 68F-42753-00-00 | FASTNER                  | 1   | AP               |
| 29      | 90464-20258-00  | CLAMP                    | 1   | AP               |
| 30      | 6EE-42794-40-00 | LABEL, WARNING (GENERAL) | 1   |                  |
| 31      | 6EE-42794-50-00 | LABEL, WARNING (GENERAL) | 1   |                  |
| 32      | 6AH-81996-00-00 | MARK                     | 1   | EXCEPT JET-DRIVE |



FWD  
63PJ100-U200