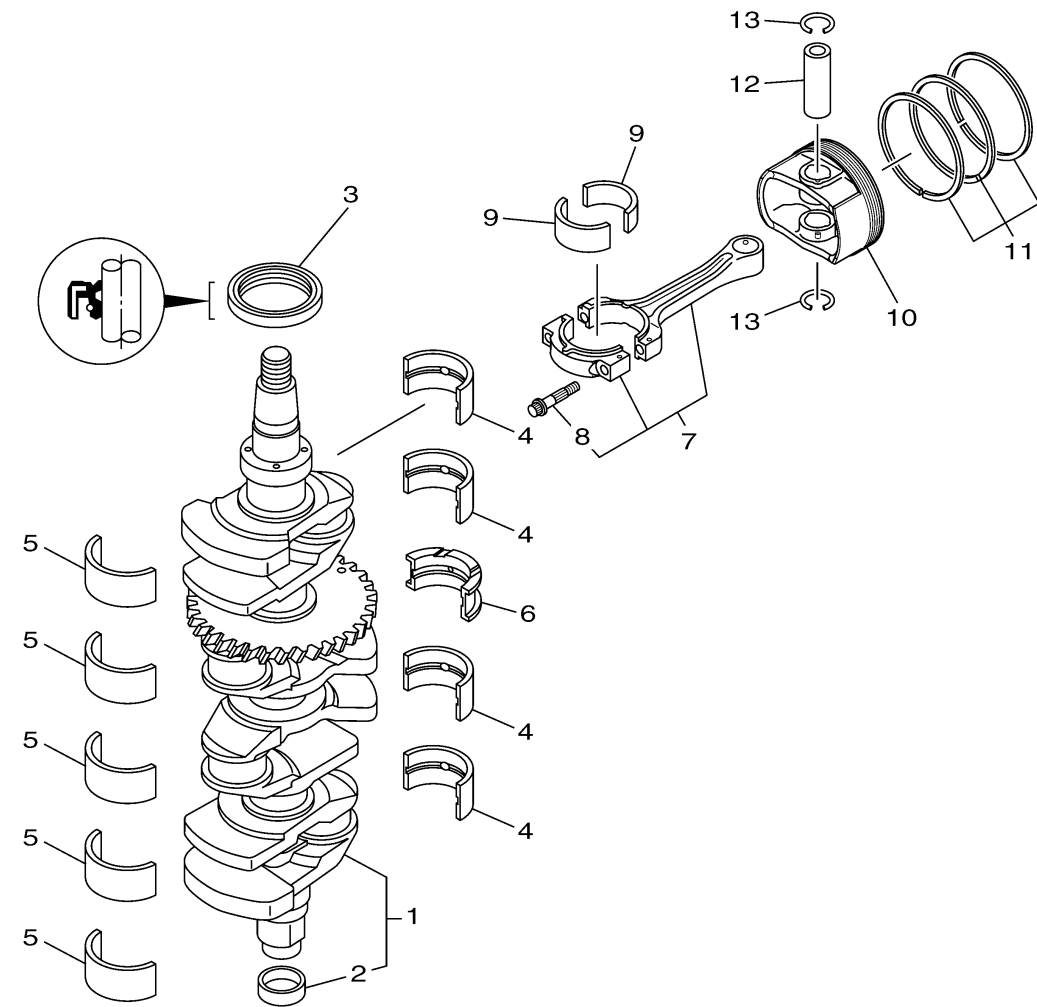


CRANKSHAFT PISTON



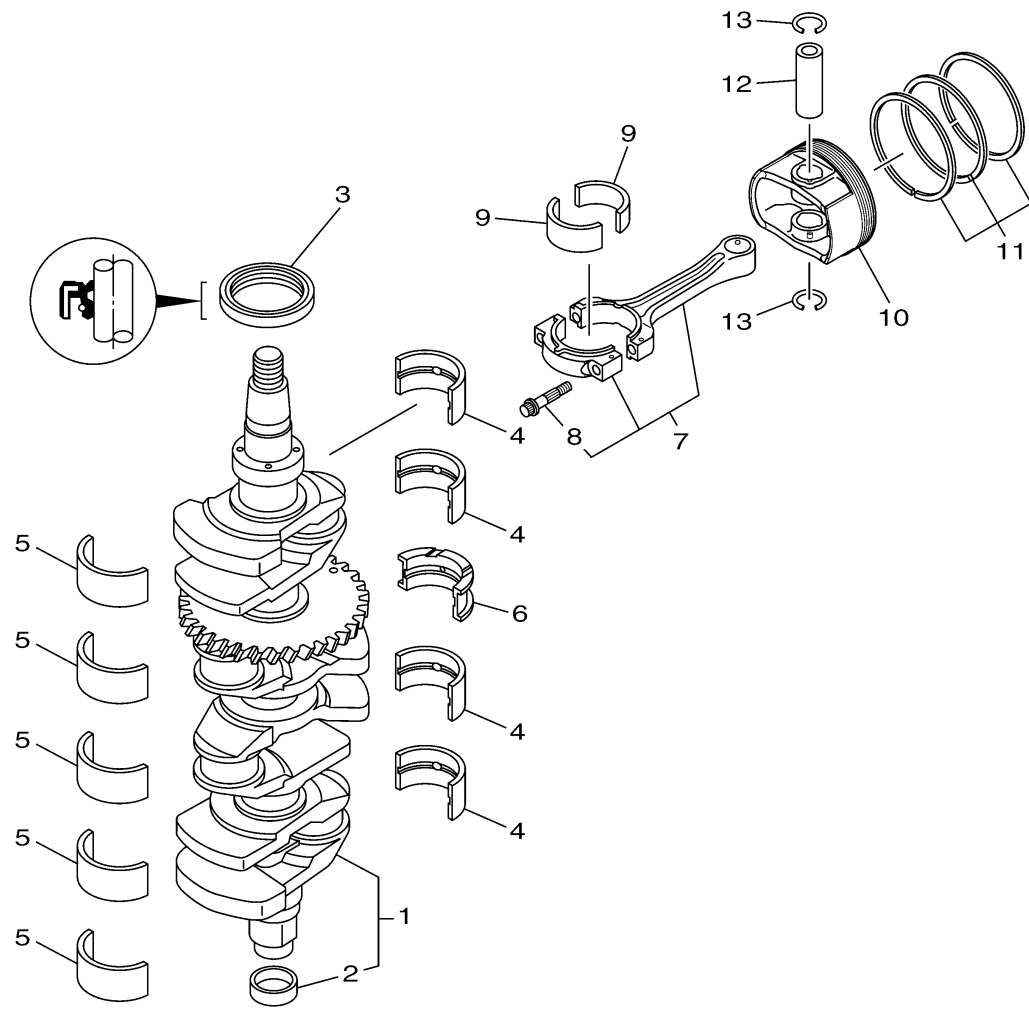
Ref No.	Part Number	Description	Qty	Remarks
1	63P-11410-04-00	CRANKSHAFT	1	
2	6CB-11478-00-00	. .COLLAR	1	
3	93102-60004-00	.OIL SEAL	1	
4	63P-11416-51-00	PLANE BEARING, CRANKSHAFT 1	4	UR YELLOW
4	63P-11416-41-00	PLANE BEARING, CRANKSHAFT 1	4	UR RED
4	63P-11416-31-00	PLANE BEARING, CRANKSHAFT 1	4	UR GREEN
5	63P-11417-81-00	PLANE BEARING, CRANKSHAFT 2	5	UR BLUE
5	63P-11417-61-00	PLANE BEARING, CRANKSHAFT 2	5	UR RED
5	63P-11417-71-00	PLANE BEARING, CRANKSHAFT 2	5	UR YELLOW
5	63P-11417-51-00	PLANE BEARING, CRANKSHAFT 2	5	UR GREEN
5	63P-11417-41-00	PLANE BEARING, CRANKSHAFT 2	5	UR BROWN
6	63P-11426-51-00	BEARING, THRUST 1	1	UR YELLOW
6	63P-11426-41-00	BEARING, THRUST 1	1	UR RED
6	63P-11426-31-00	BEARING, THRUST 1	1	UR GREEN
7	63P-W1165-10-00	CONNECTING ROD ASSY	4	
8	63P-11654-10-00	. .BOLT, CONNECTING ROD	2	
9	63P-11656-40-00	PLANE BEARING, CONNECTING ROD	8	UR BLUE
9	63P-11656-50-00	PLANE BEARING, CONNECTING ROD	8	UR RED
9	63P-11656-30-00	PLANE BEARING, CONNECTING ROD	8	UR GREEN
10	63P-11631-11-93	PISTON (STD)	4	

CONTINUED ON NEXT FRAME >


63P9110-L030

CRANKSHAFT PISTON

Ref No.	Part Number	Description	Qty	Remarks
10	63P-11635-10-00	PISTON (0.25MM O/S)	4	AP
11	63P-11603-01-00	PISTON RING SET (STD)	4	
11	63P-11604-00-00	PISTON RING SET (0.25MM O/S)	4	AP
12	63P-11633-10-00	PIN, PISTON	4	
13	63P-11634-00-00	CLIP, PISTON PIN	8	



63P9110-L030