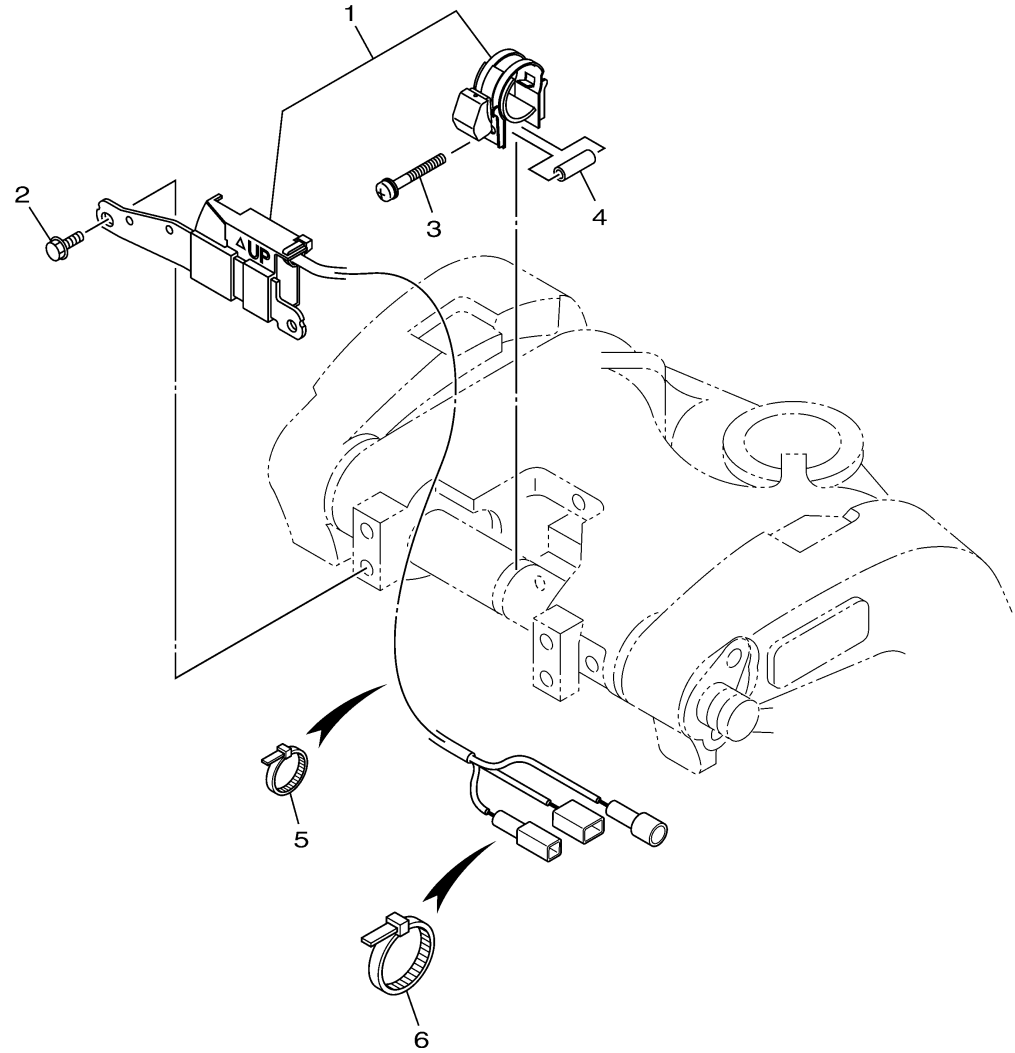


OPTIONAL PARTS 2

Ref No.	Part Number	Description	Qty	Remarks
1	6CE-825E0-02-00	TILT LIMIT SWITCH ASSY	1	
2	97E95-06516-00	BOLT, HEXAGON W/W DEEP RECESS	2	
3	90159-05059-00	SCREW, WITH WASHER	1	
4	90387-05004-00	COLLAR	1	
5	90465-11M10-00	CLAMP	9	
6	90465-13M18-00	CLAMP	1	



6HP4100-U380