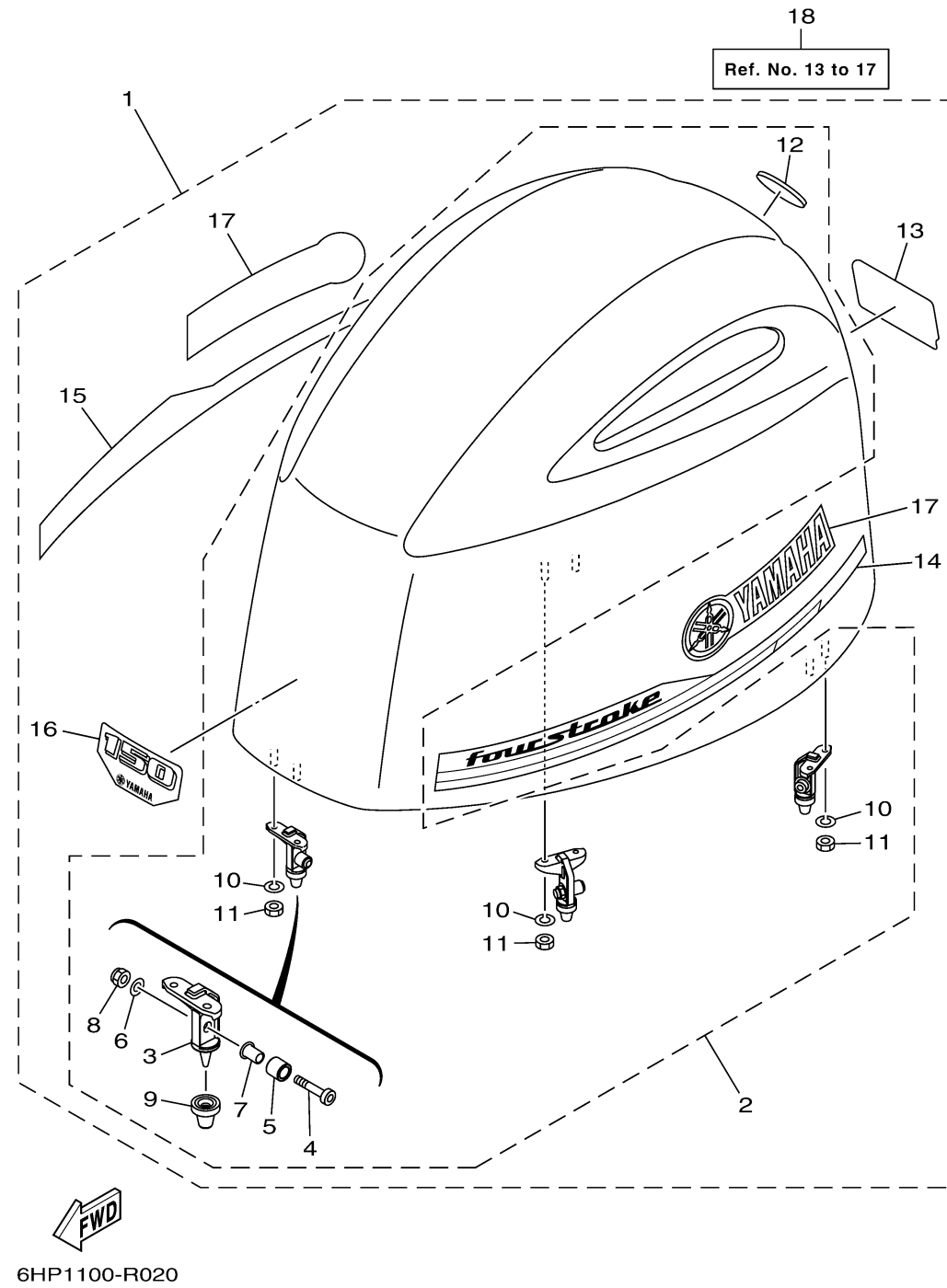


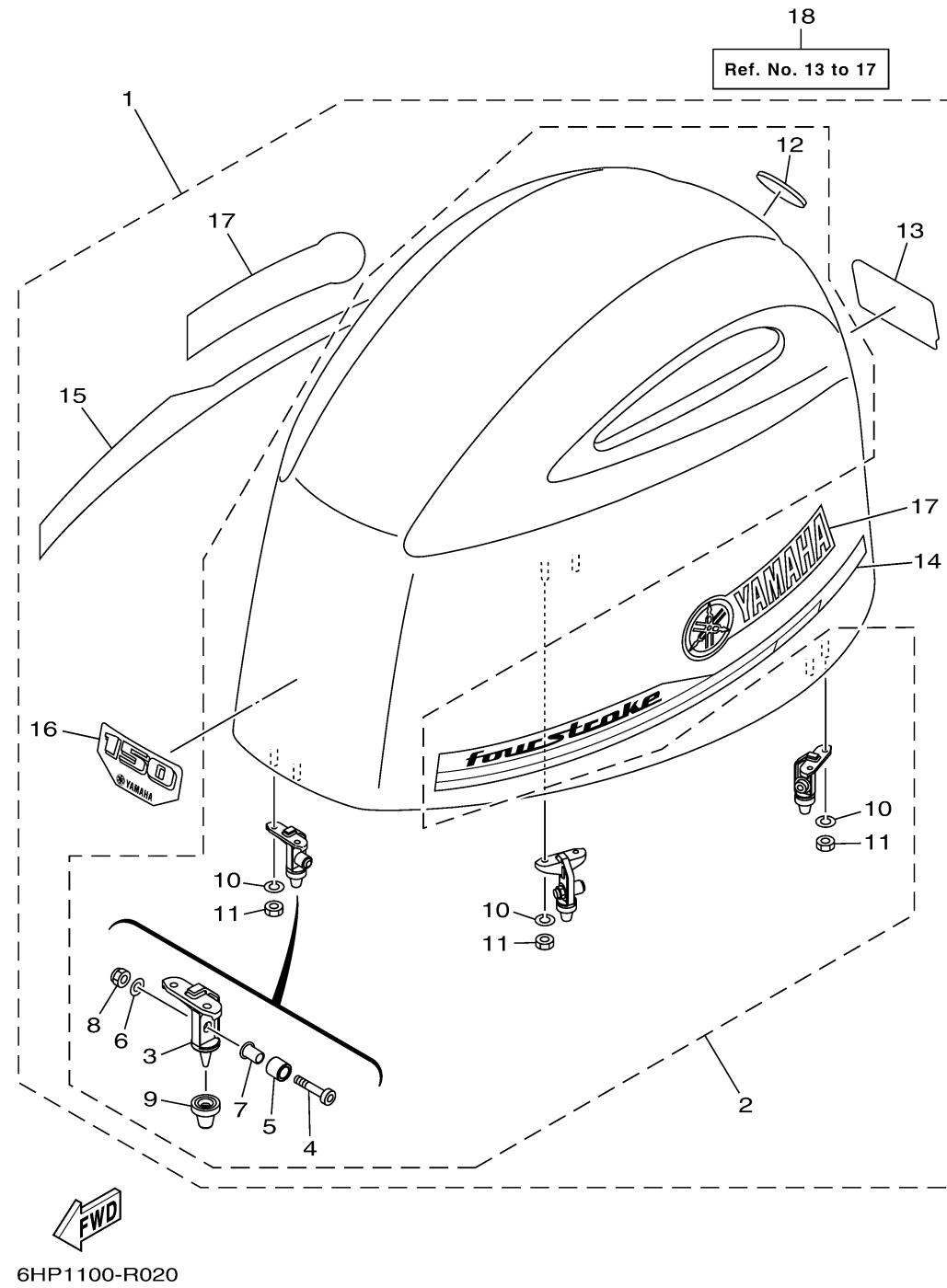
# TOP COWLING



| Ref No. | Part Number     | Description                    | Qty | Remarks           |
|---------|-----------------|--------------------------------|-----|-------------------|
| 1       | 6HP-42610-11-CE | TOP COWLING ASSY               | 0   | WHITE             |
| 1       | 6HP-42610-02-8D | TOP COWLING ASSY               | 1   | GRAY              |
| 2       | 6DA-4261A-03-CE | .. TOP COWLING W/O GRAPHICS    | 0   | WHITE             |
| 2       | 6DA-4261A-03-8D | .. TOP COWLING W/O GRAPHICS    | 1   | GRAY              |
| 3       | 6CB-42647-A0-00 | ...HOLDER, CLAMP BAND          | 3   |                   |
| 4       | 90111-08078-00  | ...BOLT, HEXAGON SOCKET BUTTON | 3   |                   |
| 5       | 90387-10094-00  | ...COLLAR                      | 3   |                   |
| 6       | 92990-08600-00  | ...WASHER, PLATE               | 3   |                   |
| 7       | 90387-08M45-00  | ...COLLAR                      | 3   |                   |
| 8       | 95780-08300-00  | .. NUT, FLANGE                 | 3   |                   |
| 9       | 6AW-42663-01-00 | ...DAMPER 2                    | 3   |                   |
| 10      | 92990-06100-00  | .. WASHER, SPRING              | 6   |                   |
| 11      | 95380-06600-00  | .. NUT, HEXAGON                | 6   |                   |
| 12      | 6DA-42697-00-00 | ...TUNING FORK MARK            | 1   |                   |
| 13      | 63P-42678-70-00 | .. GRAPHIC, REAR               | 0   | FOR WHITE COWLING |
| 13      | 63P-42678-60-00 | .. GRAPHIC, REAR               | 1   | FOR GRAY COWLING  |
| 14      | 6DA-42675-10-00 | .. GRAPHIC, SIDE 1             | 0   | FOR WHITE COWLING |
| 14      | 6DA-42675-00-00 | .. GRAPHIC, SIDE 1             | 1   | FOR GRAY COWLING  |
| 15      | 6DA-42676-00-00 | .. GRAPHIC, SIDE 2             | 1   | FOR GRAY COWLING  |
| 15      | 6DA-42676-10-00 | .. GRAPHIC, SIDE 2             | 0   | FOR WHITE COWLING |

CONTINUED ON NEXT FRAME >

# TOP COWLING



| Ref No. | Part Number     | Description              | Qty | Remarks           |
|---------|-----------------|--------------------------|-----|-------------------|
| 16      | 63P-42677-70-00 | .. GRAPHIC, FRONT        | 0   | FOR WHITE COWLING |
| 16      | 63P-42677-60-00 | .. GRAPHIC, FRONT        | 1   | FOR GRAY COWLING  |
| 17      | 63P-42681-30-00 | .. MARK, COWLING         | 0   | FOR WHITE COWLING |
| 17      | 63P-42681-20-00 | .. MARK, COWLING         | 2   | FOR GRAY COWLING  |
| 18      | 63P-W4267-20-00 | GRAPHIC SET, TOP COWLING | 0   | AP FOR USA(WHITE) |
| 18      | 63P-W4267-10-00 | GRAPHIC SET, TOP COWLING | 1   | AP FOR USA(GRAY)  |