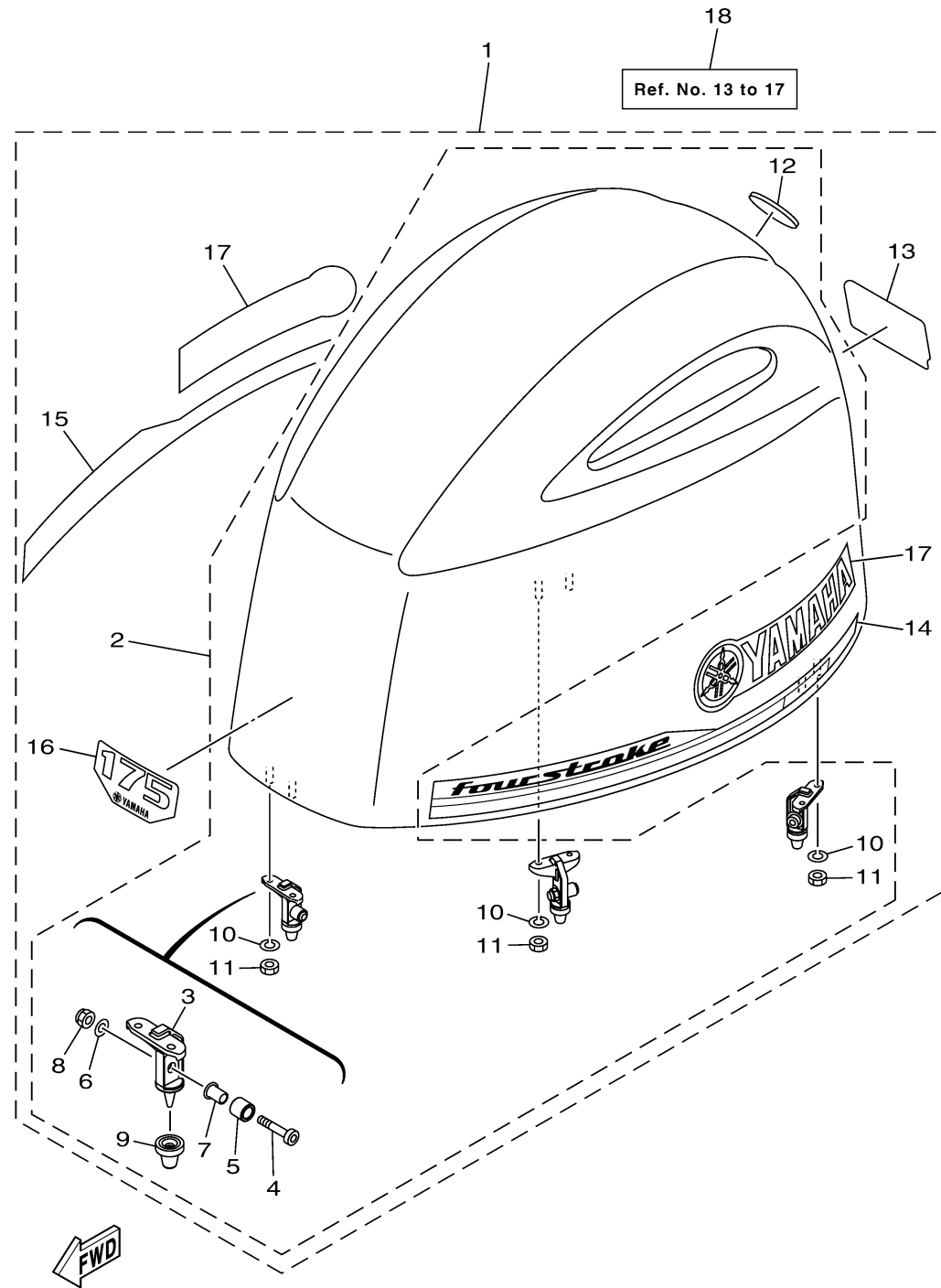


TOP COWLING

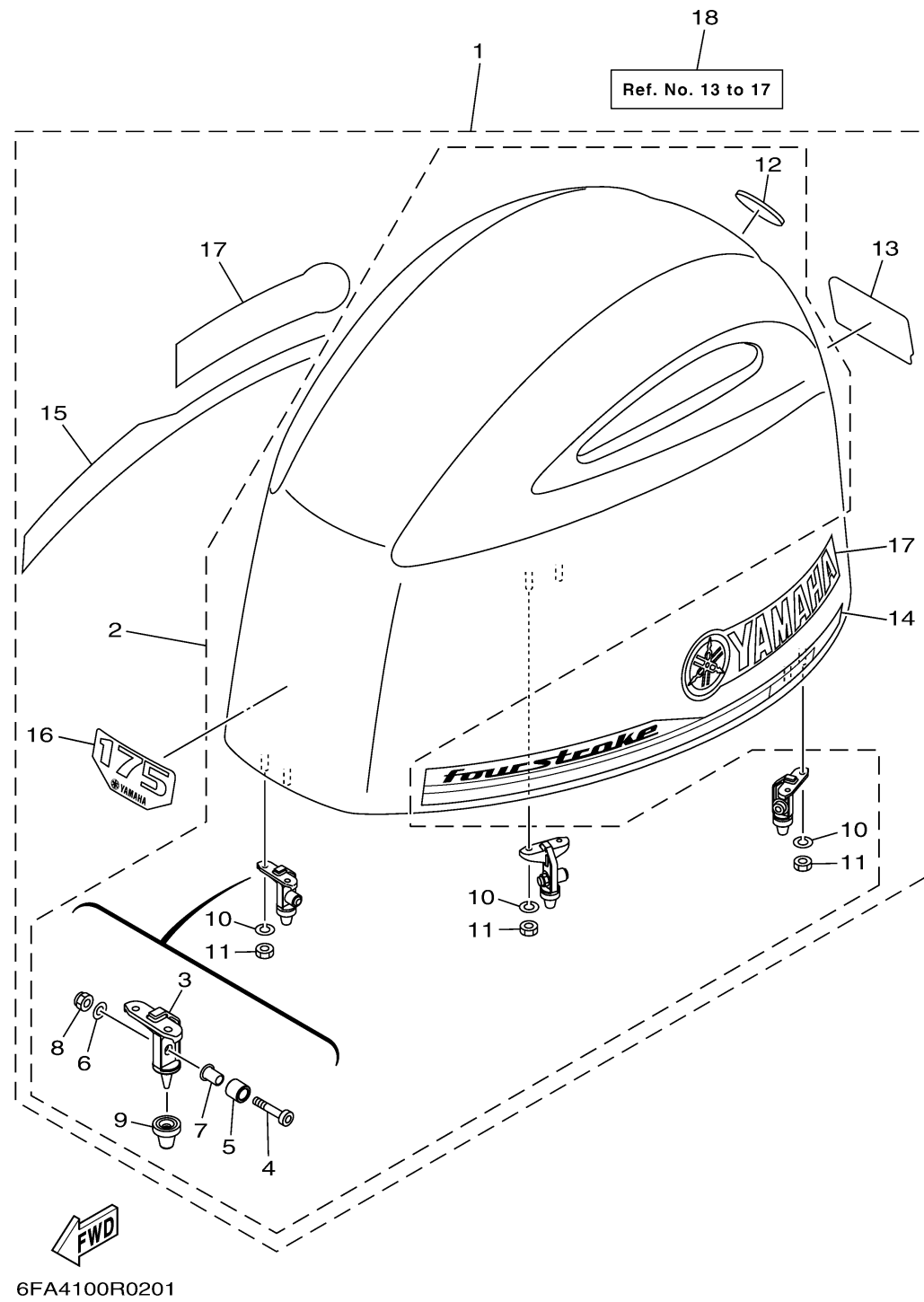


6FA4100R0201

| Ref No. | Part Number | Description | Qty | Remarks |
|---------|-----------------|--------------------------------|-----|-------------------|
| 1 | 6FA-42610-11-CE | TOP COWLING ASSY | 0 | WHITE |
| 1 | 6FA-42610-03-8D | TOP COWLING ASSY | 1 | GRAY |
| 2 | 6DA-4261A-03-8D | ..TOP COWLING W/O GRAPHICS | 1 | GRAY |
| 2 | 6DA-4261A-03-CE | ..TOP COWLING W/O GRAPHICS | 0 | WHITE |
| 3 | 6CB-42647-A0-00 | ...HOLDER, CLAMP BAND | 3 | |
| 4 | 90111-08078-00 | ...BOLT, HEXAGON SOCKET BUTTON | 3 | |
| 5 | 90387-10094-00 | ...COLLAR | 3 | |
| 6 | 92990-08600-00 | ...WASHER, PLATE | 3 | |
| 7 | 90387-08M45-00 | ...COLLAR | 3 | |
| 8 | 95780-08300-00 | ...NUT, FLANGE | 3 | |
| 9 | 6AW-42663-01-00 | ...DAMPER 2 | 3 | |
| 10 | 92990-06100-00 | ...WASHER, SPRING | 6 | |
| 11 | 95380-06600-00 | .. NUT, HEXAGON | 6 | |
| 12 | 6DA-42697-00-00 | .. TUNING FORK MARK | 1 | |
| 13 | 6FA-42678-00-00 | ..GRAPHIC, REAR | 1 | FOR GRAY COWLING |
| 13 | 6FA-42678-10-00 | ..GRAPHIC, REAR | 0 | FOR WHITE COWLING |
| 14 | 6DA-42675-10-00 | ..GRAPHIC, SIDE 1 | 0 | FOR WHITE COWLING |
| 14 | 6DA-42675-00-00 | ..GRAPHIC, SIDE 1 | 1 | FOR GRAY COWLING |
| 15 | 6DA-42676-10-00 | ..GRAPHIC, SIDE 2 | 0 | FOR WHITE COWLING |
| 15 | 6DA-42676-00-00 | ..GRAPHIC, SIDE 2 | 1 | FOR GRAY COWLING |

CONTINUED ON NEXT FRAME >

TOP COWLING



| Ref No. | Part Number | Description | Qty | Remarks |
|---------|-----------------|--------------------------|-----|-------------------|
| 16 | 6FA-42677-10-00 | ..GRAPHIC, FRONT | 0 | FOR WHITE COWLING |
| 16 | 6FA-42677-00-00 | ..GRAPHIC, FRONT | 1 | FOR GRAY COWLING |
| 17 | 63P-42681-30-00 | ..MARK, COWLING | 0 | FOR WHITE COWLING |
| 17 | 63P-42681-20-00 | ..MARK, COWLING | 2 | FOR GRAY COWLING |
| 18 | 6FA-W4267-00-00 | GRAPHIC SET, TOP COWLING | 1 | AP FOR USA |
| 18 | 6FA-W4267-20-00 | GRAPHIC SET, TOP COWLING | 0 | AP FOR USA(WHITE) |