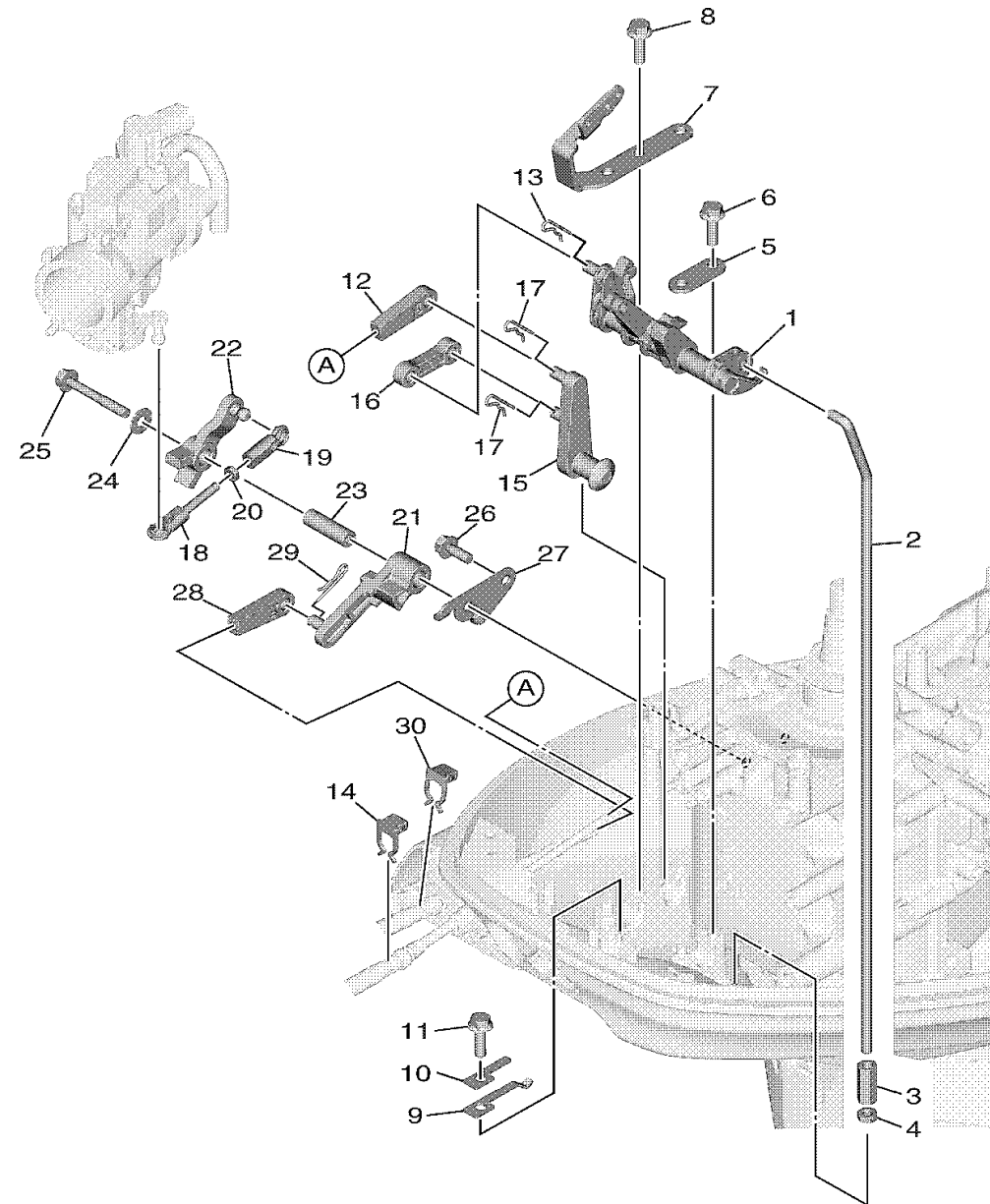


CONTROL 2

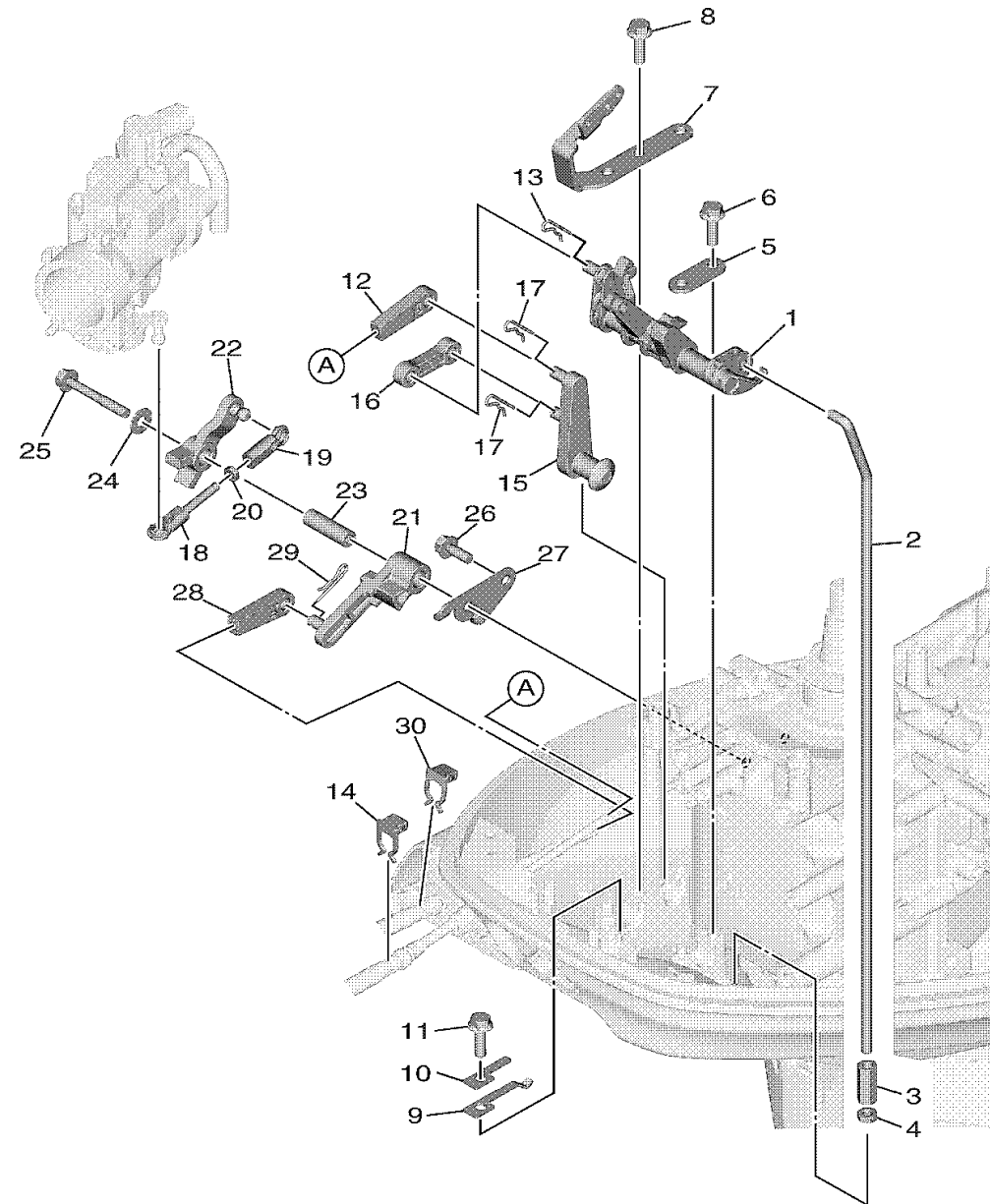


Ref No.	Part Number	Description	Qty	Remarks
1	6FM-44121-00-00	LEVER, SHIFT ROD	0	
2	6FM-44143-10-00	ROD, SHIFT 1	0	L(21.7")
2	6FM-44143-00-00	ROD, SHIFT 1	0	S(16.7")
3	90170-06015-00	NUT	0	
4	95380-06700-00	NUT	0	
5	6FM-41661-00-00	BRACKET 1	0	
6	90109-06M86-00	BOLT	0	
7	6FM-41662-00-00	BRACKET 2	0	
8	90109-06M86-00	BOLT	0	
9	66R-44116-00-00	SPRING	0	
10	66R-44118-00-00	BRACKET	0	
11	90109-06M86-00	BOLT	0	
12	6FM-48344-00-00	.CABLE END, REMOTE CONTROL	0	
13	90468-18008-00	.CLIP	0	
14	63D-48538-00-00	.CLAMP, CABLE 1	0	
15	6FM-44125-00-00	.LEVER, SHIFT ROD	0	
16	6FM-44192-00-00	.LINK, SHIFT ROD	0	
17	90468-18008-00	.CLIP	0	
18	682-41237-50-00	.JOINT, LINK	0	
19	6H4-41237-00-00	.JOINT, LINK	0	

CONTINUED ON NEXT FRAME >


 6HY2100DU260

CONTROL 2



6HY2100DU260

Ref No.	Part Number	Description	Qty	Remarks
20	95380-05700-00	.NUT	0	
21	6FM-42157-00-00	.LEVER, THROTTLE	0	
22	6FM-41283-00-00	.LEVER, FREE ACCEL.	0	
23	90387-06M59-00	.COLLAR	0	
24	92990-06200-00	WASHER, PLAIN	0	
25	95D95-06045-00	.BOLT, FLANGE DEEP RECESS	0	
26	95D95-06016-00	.BOLT, FLANGE DEEP RECESS	0	
27	6FM-14571-00-00	.BRACKET, THROTTLE	0	
28	6FM-48344-00-00	.CABLE END, REMOTE CONTROL	0	
29	90468-18008-00	.CLIP	0	
30	63D-48538-00-00	.CLAMP, CABLE 1	0	