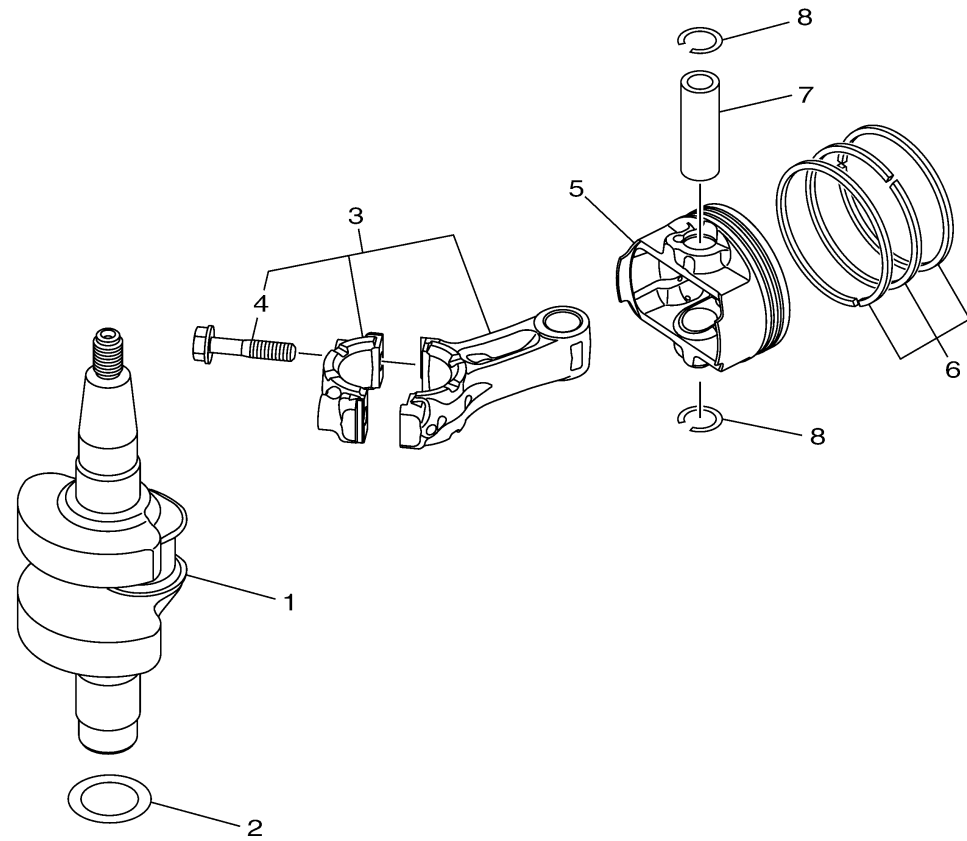


CRANKSHAFT PISTON

Ref No.	Part Number	Description	Qty	Remarks
1	6EG-E1410-01-00	CRANKSHAFT	1	
2	90201-23008-00	WASHER, PLATE	1	
3	6EG-E1650-00-00	CONNECTING ROD ASSY	1	
4	7DX-E1654-00-00	. .BOLT, CONNECTING ROD	2	
5	6EG-E1631-10-00	PISTON (STD)	1	
5	6EG-E1635-10-00	PISTON (0.25MM O/S)	1	AP
5	6EG-E1636-10-00	PISTON (0.50MM O/S)	1	AP
6	69M-E1603-10-00	PISTON RING SET (STD)	1	
6	69M-E1604-10-00	PISTON RING SET (0.25MM O/S)	1	AP
6	69M-E1605-10-00	PISTON RING SET (0.50MM O/S)	1	AP
7	6EG-E1633-00-00	PIN, PISTON	1	
8	93450-13811-00	CIRCLIP	2	



6EG1100-P040