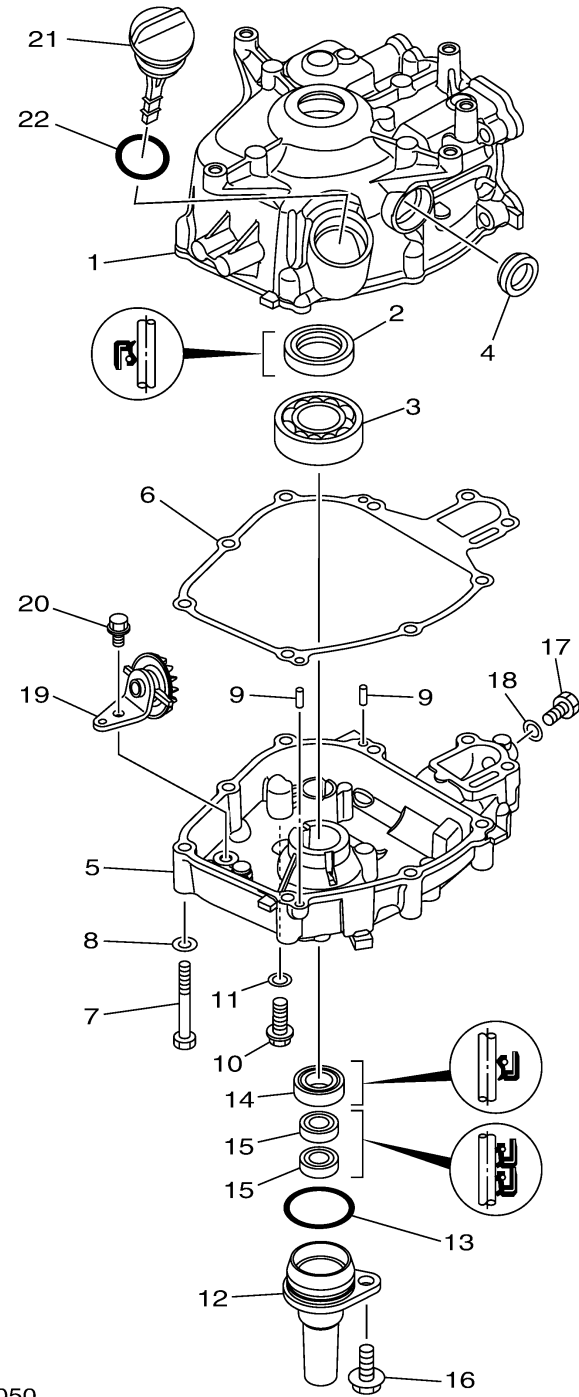


CYLINDER CRANKCASE 2

Ref No.	Part Number	Description	Qty	Remarks
21	6EG-E5362-10-00	PLUG, OIL LEVEL	1	
22	93210-24800-00	.O-RING	1	




6EF8010-W050