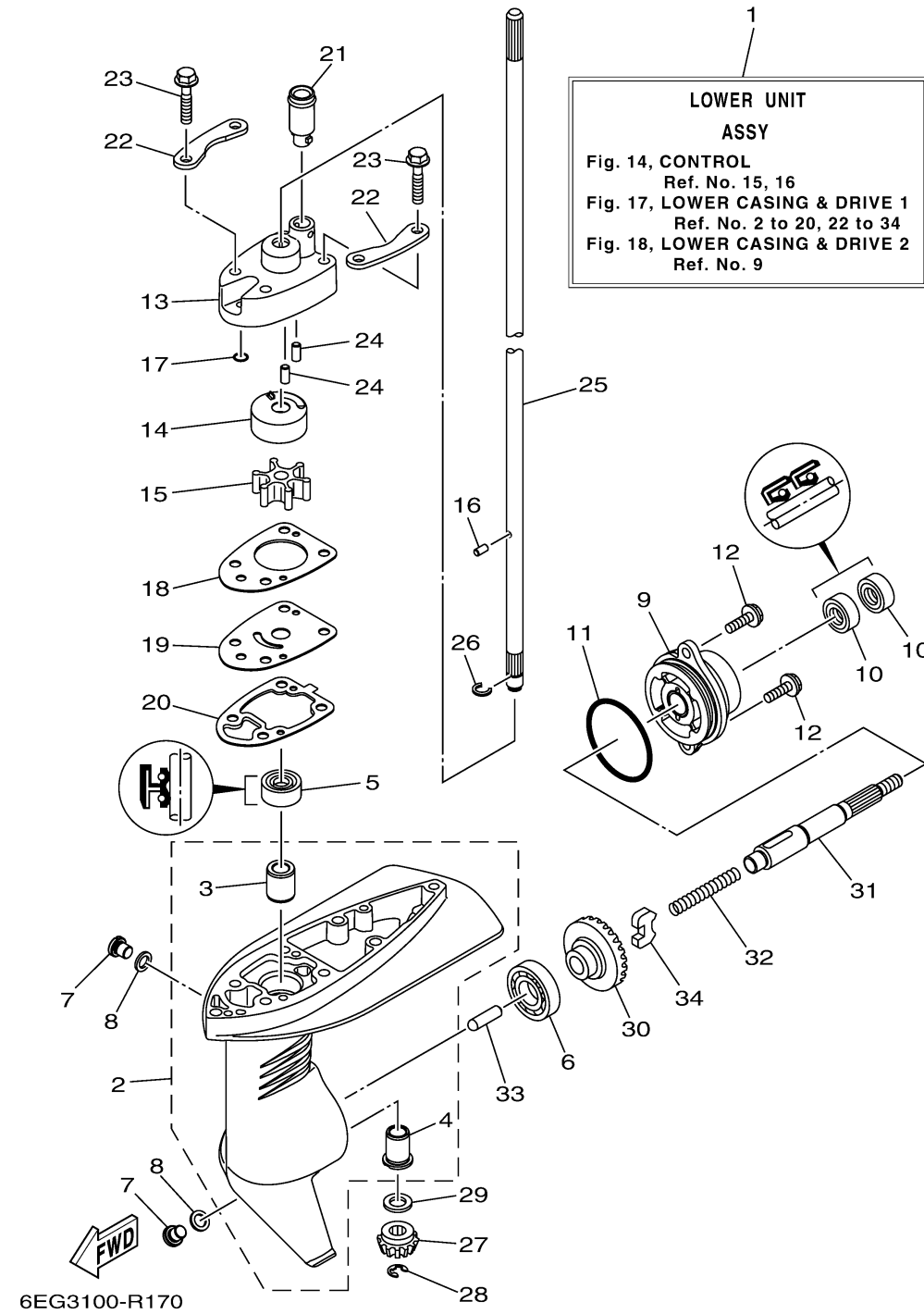
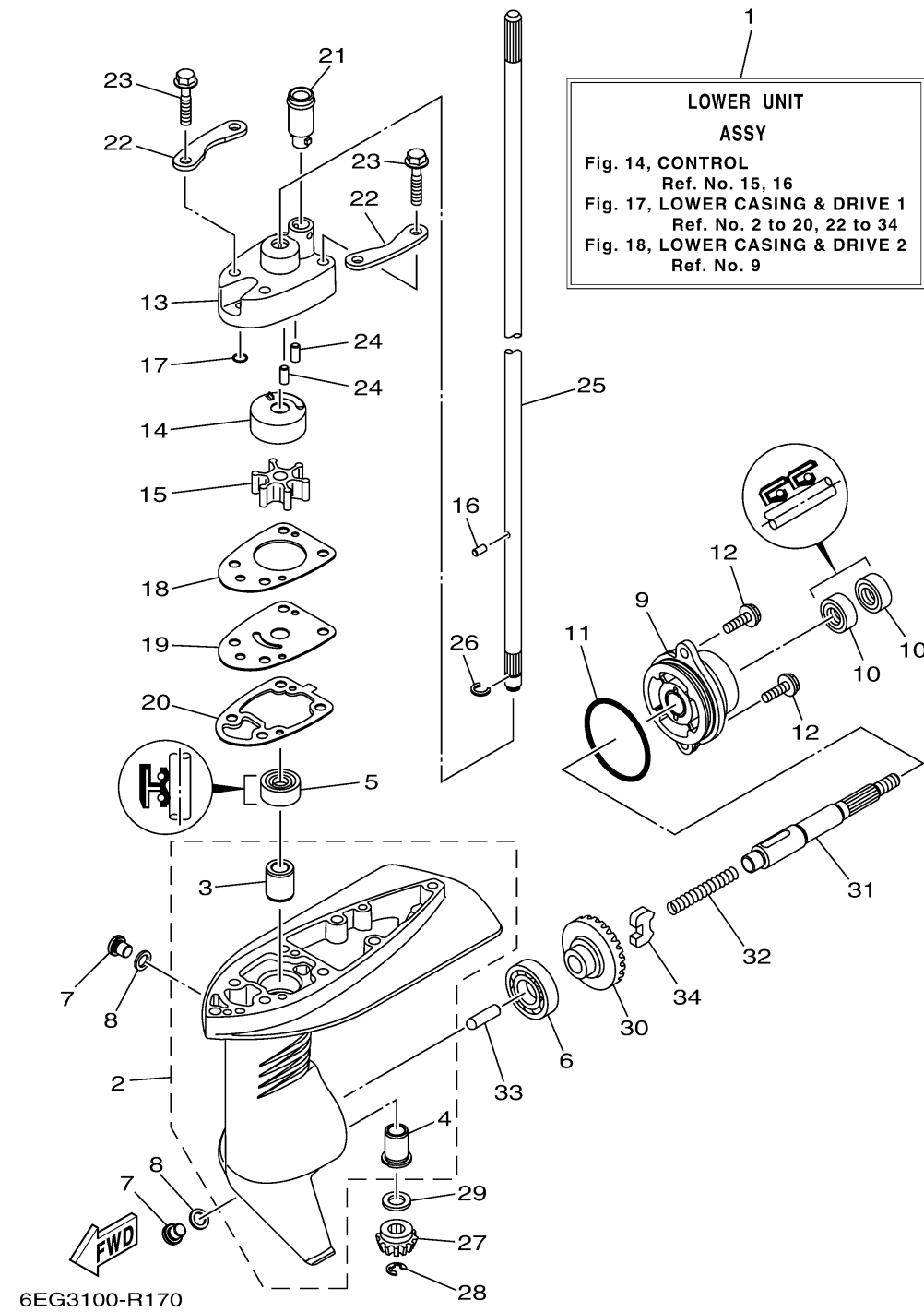


LOWER CASING DRIVE 1



Ref No.	Part Number	Description	Qty	Remarks
1	6EG-G5300-01-8D	LOWER UNIT ASSY	1	S(17.0")
1	6EG-G5300-11-8D	LOWER UNIT ASSY	0	L(22.0")
2	6EG-G5311-00-8D	CASING, LOWER	1	
3	6L5-45316-09-00	.BUSHING, DRIVE SHAFT	1	
4	6L5-45317-09-00	.BUSHING, DRIVE SHAFT	1	
5	93103-09800-00	.OIL SEAL	1	
6	93316-003Y0-00	BEARING	1	
7	90340-08002-00	PLUG, STRAIGHT SCREW	2	
8	90430-08003-00	.GASKET	2	
9	6EG-G5361-00-8D	CAP, LOWER CASING	1	
10	93101-13800-00	.OIL SEAL	2	
11	93210-48800-00	.O-RING	1	
12	97E95-06516-00	BOLT, HEXAGON W/W DEEP RECESS	2	
13	6EG-G4311-00-00	HOUSING, WATER PUMP	1	
14	6EG-G4322-00-00	.INSERT, CARTRIDGE	1	
15	6L5-44352-00-00	.IMPELLER	1	
16	93604-07M13-00	PIN, DOWEL	1	
17	93210-05001-00	.O-RING	1	
18	6EG-G4315-00-00	.GASKET, WATER PUMP	1	
19	6EG-G4323-00-00	.OUTER PLATE, CARTRIDGE	1	

CONTINUED ON NEXT FRAME >



LOWER CASING DRIVE 1

Ref No.	Part Number	Description	Qty	Remarks
20	6EG-G5315-00-00	.PACKING, LOWER CASING	1	
21	6EE-G4366-01-00	.DAMPER, WATER SEAL 2	1	
22	6EG-G4328-00-00	.PLATE	2	
23	97E95-06535-00	.BOLT, HEXAGON W/W DEEP RECESS	4	
24	93604-12M07-00	.PIN, DOWEL	2	
25	6EG-G5511-00-00	SHAFT, DRIVE	1	S(17.0")
25	6EG-G5511-10-00	SHAFT, DRIVE	0	L(22.0")
26	90467-07M12-00	CLIP	1	
27	6L5-45551-00-00	PINION (13T)	1	
28	99001-06600-00	CIRCLIP	1	
29	6EG-G5533-00-00	SHIM	1	
30	6L5-45560-00-00	GEAR 1 (27T)	1	
31	6EG-G5611-00-00	SHAFT, PROPELLER	1	
32	90501-10064-00	SPRING, COMPRESSION	1	
33	6EG-G5635-00-00	PLUNGER, SHIFT	1	
34	6L5-45631-00-00	CLUTCH, DOG	1	