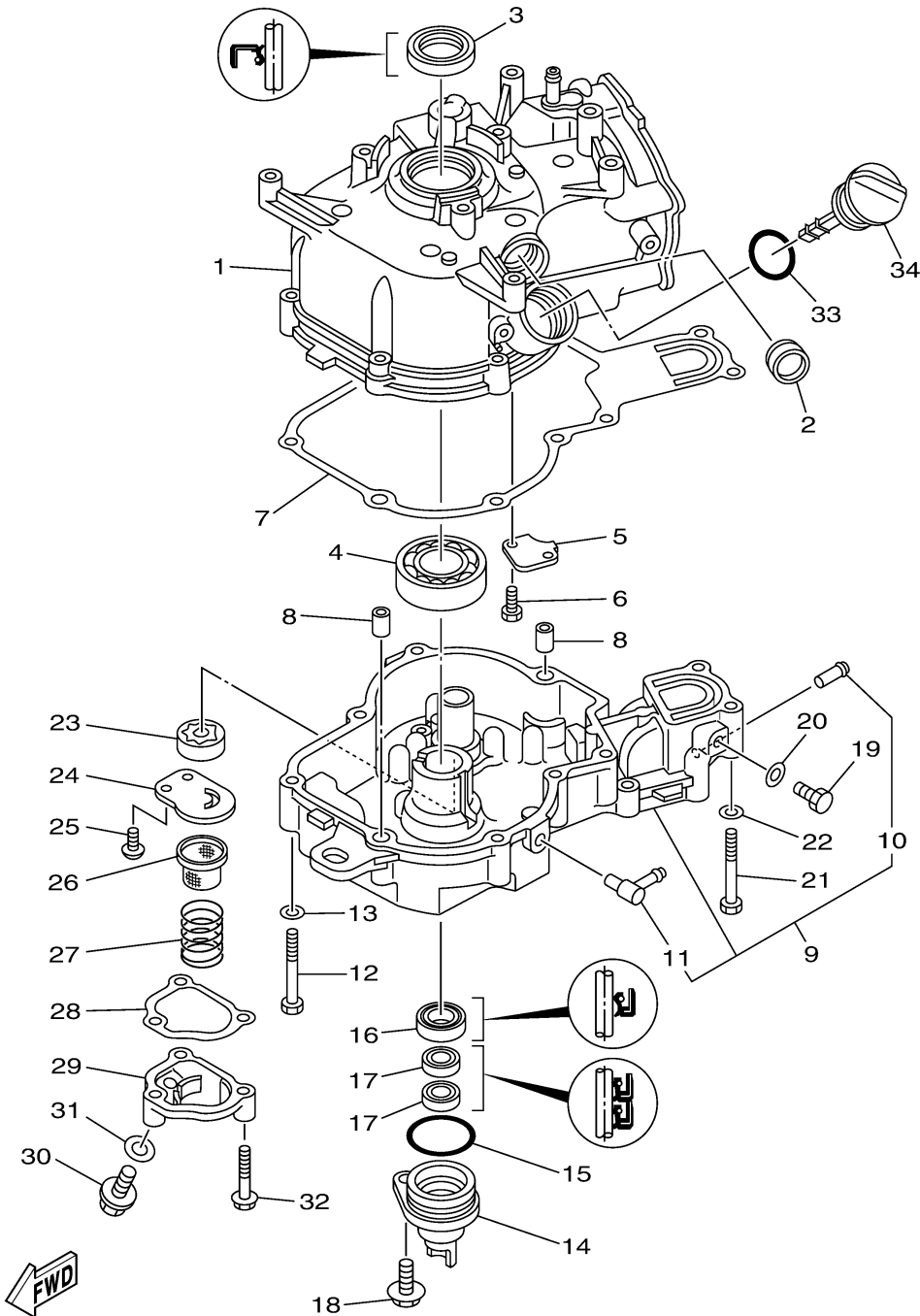


## CYLINDER CRANKCASE 2



6EC4100-R050

Ref No.	Part Number	Description	Qty	Remarks
1	6EE-E1311-00-1S	CYLINDER 1	1	
2	3Y6-15361-00-00	GAUGE, LEVEL	1	
3	93102-25821-00	.OIL SEAL	1	
4	93306-255X0-00	BEARING	1	
5	6EE-E1168-00-00	COVER, BREATHER	1	
6	97013-05010-00	BOLT	2	
7	6BX-11351-00-00	.GASKET, CYLINDER	1	
8	99530-10114-00	PIN, DOWEL	2	
9	6EE-E5111-00-1S	CRANKCASE 1	1	
10	6EE-F4377-00-00	. PIPE, JOINT 2	1	
11	676-11372-00-00	. .NIPPLE, HOSE	1	
12	97013-06050-00	BOLT	8	
13	92903-06600-00	WASHER, PLATE	8	
14	6EE-E5396-00-CA	HOUSING, OIL SEAL	1	
15	93210-35803-00	.O-RING	1	
16	93102-20814-00	.OIL SEAL	1	
17	93102-10800-00	.OIL SEAL	2	
18	97E95-08520-00	BOLT, HEXAGON W/W DEEP RECESS	1	
19	97D95-08014-00	BOLT, HEXAGON DEEP RECESS	1	
20	90430-08143-00	GASKET	1	

CONTINUED ON NEXT FRAME >

## CYLINDER CRANKCASE 2

Ref No.	Part Number	Description	Qty	Remarks
21	97013-06050-00	BOLT	2	
22	92903-06600-00	WASHER, PLATE	2	
23	6BX-E3310-00-00	ROTOR ASSY 1	1	
24	6EE-E3316-00-00	COVER, PUMP	1	
25	98517-06012-00	SCREW, PAN HEAD	2	
26	5YP-E3411-00-00	STRAINER, OIL	1	
27	90501-18576-00	SPRING, COMPRESSION	1	
28	6EE-E3475-00-00	.GASKET	1	
29	6EE-E3417-00-1S	COVER, STRAINER	1	
30	90105-08M76-00	BOLT, FLANGE	1	
31	90201-08818-00	.WASHER, PLATE	1	
32	97E75-06535-00	BOLT, HEXAGON W/W DEEP RECESS	3	
33	93210-24800-00	.O-RING	1	
34	6EE-E5362-00-00	PLUG, OIL LEVEL	1	

