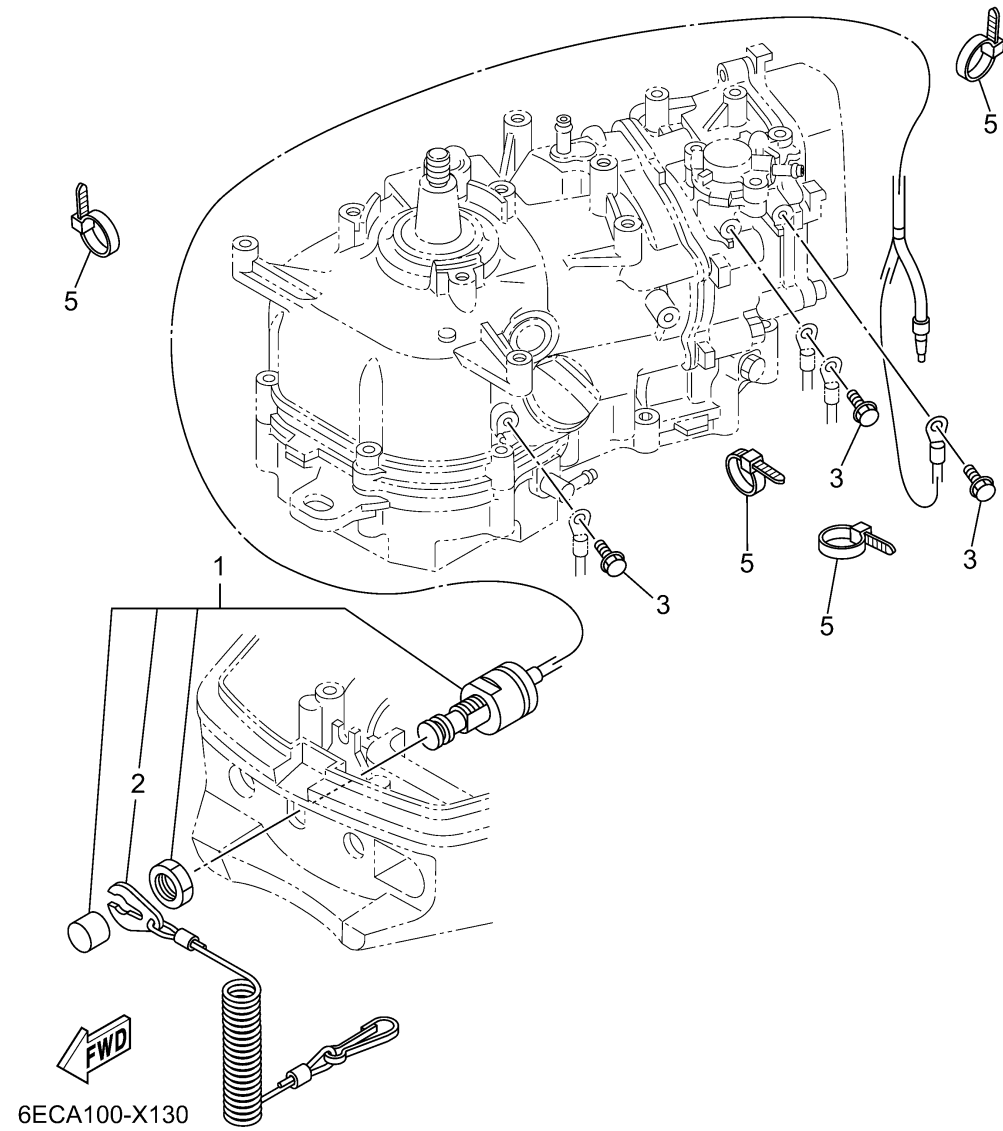
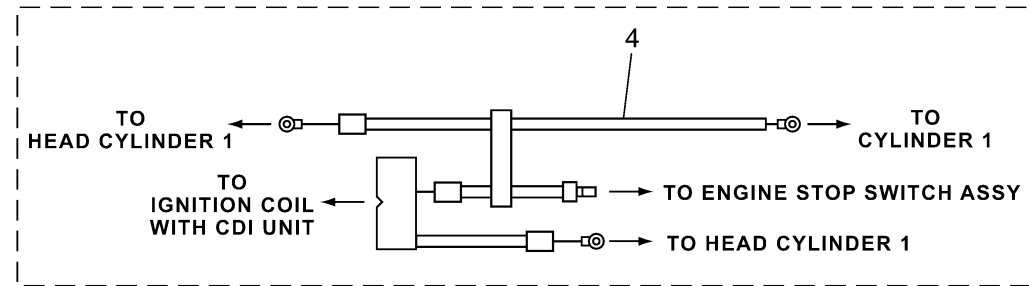


ELECTRICAL



Ref No.	Part Number	Description	Qty	Remarks
1	6EE-H2575-02-00	ENGINE STOP SWITCH ASSY	1	
2	6EE-H2556-00-00	. .LANYARD, STOP SWITCH	1	
3	97E95-06512-00	BOLT, HEXAGON W/W DEEP RECESS	3	
4	6EE-H2531-01-00	WIRE, LEAD	1	
5	90465-13M97-00	CLAMP	4	