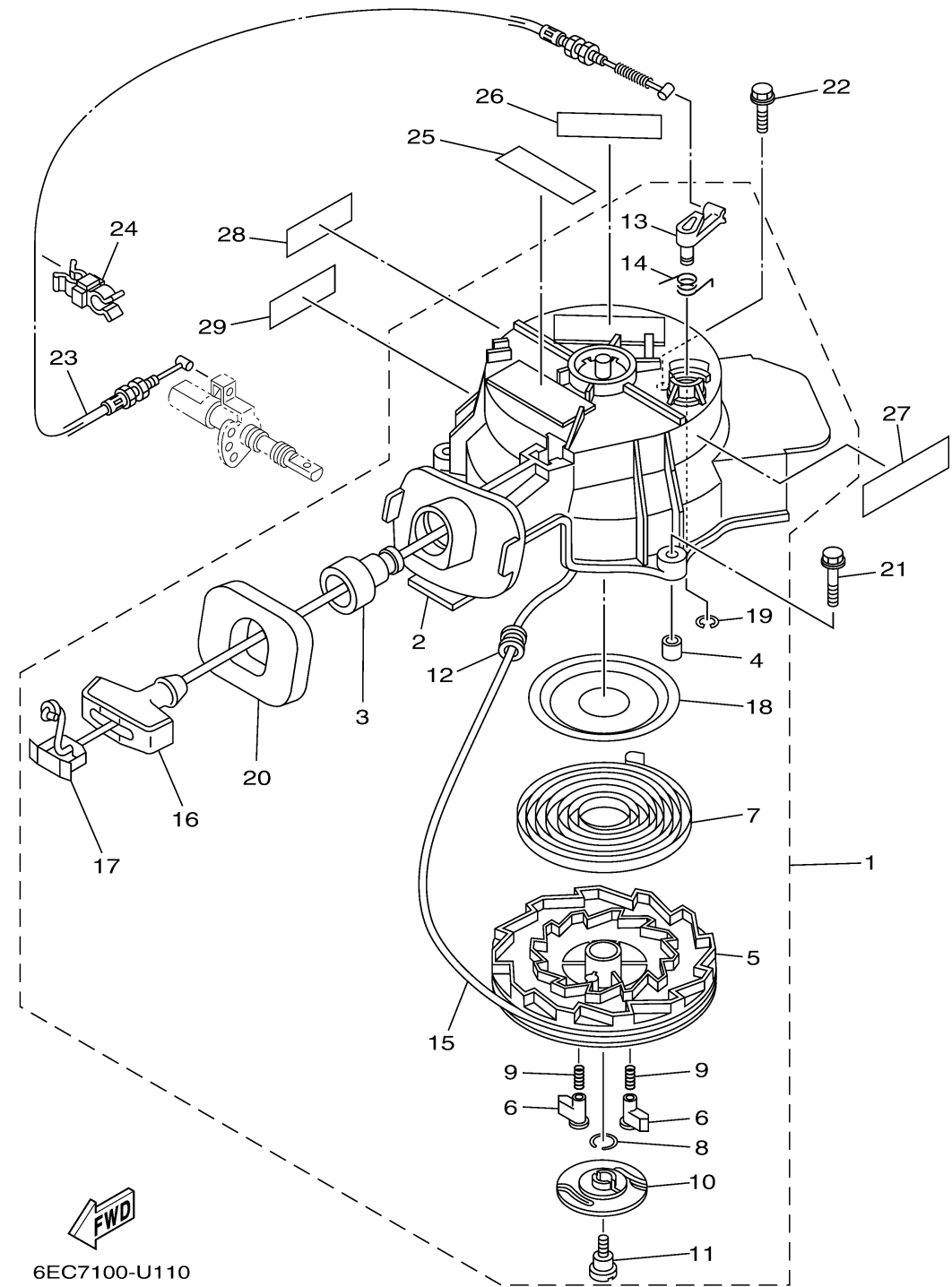


STARTER



6EC7100-U110

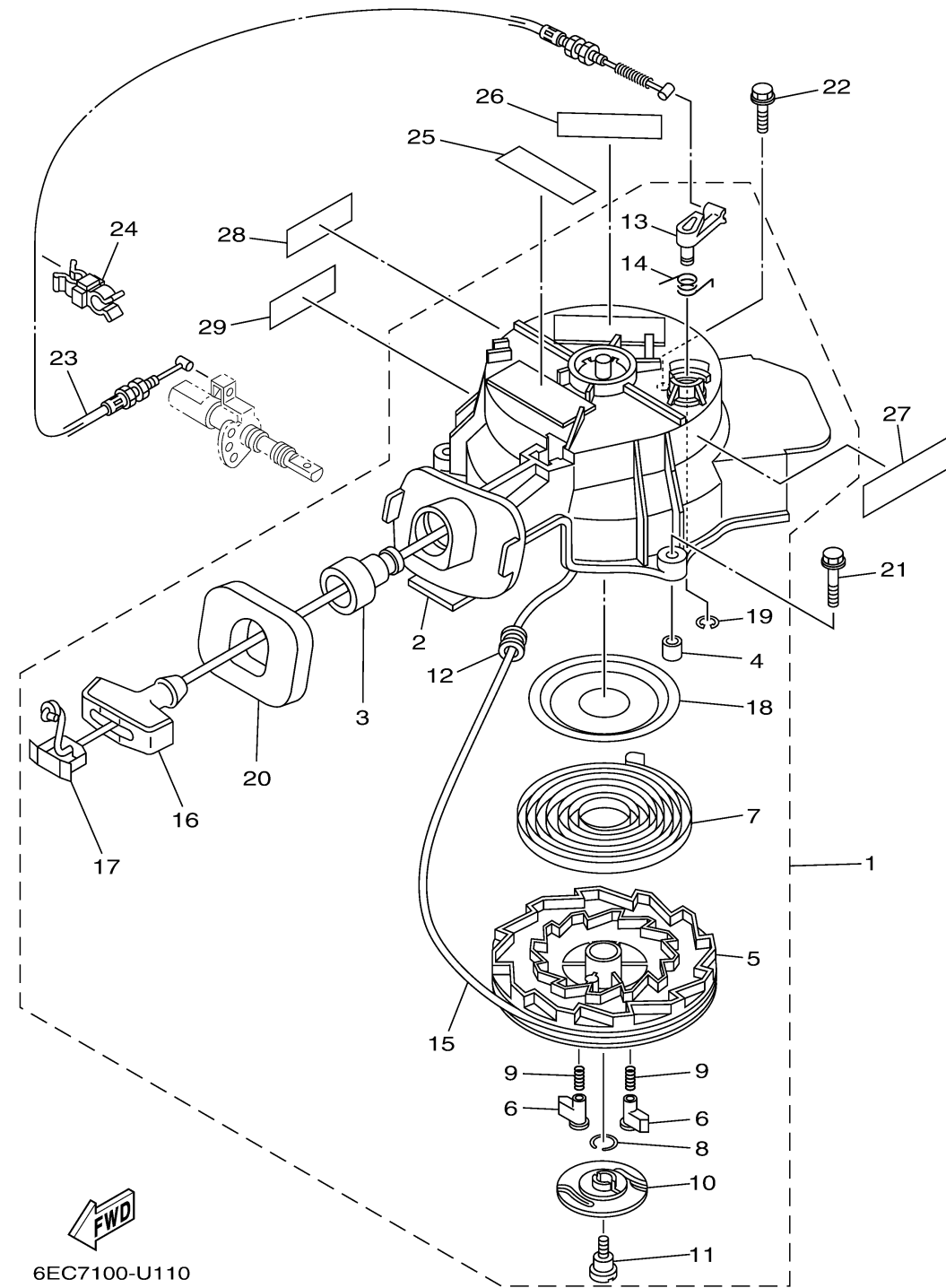
*1: CUT FROM 50M ROLLS, PART NO. 90790-48192, CUTTING LENGTH 1.8M

Ref No.	Part Number	Description	Qty	Remarks
1	6EE-E5710-01-00	STARTER ASSY	1	
2	6EE-E5711-01-00	..CASE, STARTER	1	
3	63V-15795-01-00	..GUIDE, ROPE	1	
4	67D-15764-00-00	..COLLAR 1	3	
5	6EE-E5714-00-00	..DRUM, SHEAVE	1	
6	67D-15741-00-00	..PAWL, DRIVE	2	
7	67D-15713-00-00	..SPRING, STARTER	1	
8	6BX-15705-00-00	..SPRING, DRIVE PAWL	1	
9	67D-15767-00-00	..SPRING	2	
10	67D-15735-00-00	..GUIDE, CAM	1	
11	67D-15793-00-00	..SCREW	1	
12	68T-15764-00-00	..COLLAR 1	1	
13	67D-15794-01-00	..STOPPER	1	
14	67D-15734-00-00	..SPRING, RETURN	1	
15	90890-44373-00-00	..ROPE, STARTER	1	UNAVAILABLE, OBTAIN LOCALLY, CUT TO 1.8M
16	6G1-15755-00-00	..HANDLE, STARTER	1	
17	6G1-15779-00-00	..COVER	1	
18	67D-15739-00-00	..WASHER, THRUST	1	
19	67D-15744-00-00	..CIRCLIP	1	
20	6BX-15762-00-00	..SEAL, RUBBER 2	1	

CONTINUED ON NEXT FRAME >

STARTER

Ref No.	Part Number	Description	Qty	Remarks
21	97E95-06535-00	.BOLT, HEXAGON W/W DEEP RECESS	2	
22	97E95-06520-00	BOLT, HEXAGON W/W DEEP RECESS	1	
23	6BX-E5770-00-00	CABLE COMP., STARTER STOP	1	
24	90464-07008-00	CLAMP	1	
25	6EE-H1995-40-00	LABEL, WARNING	1	
26	6EE-H1995-50-00	LABEL, WARNING	1	
27	6EE-E4427-60-00	LABEL, INSTRUCTION	1	
28	6EE-H1994-40-00	LABEL, SAFETY	1	
29	6EE-H1994-50-00	LABEL, SAFETY	1	



6EC7100-U110

*1: CUT FROM 50M ROLLS, PART NO.90790-48192, CUTTING LENGTH 1.8M