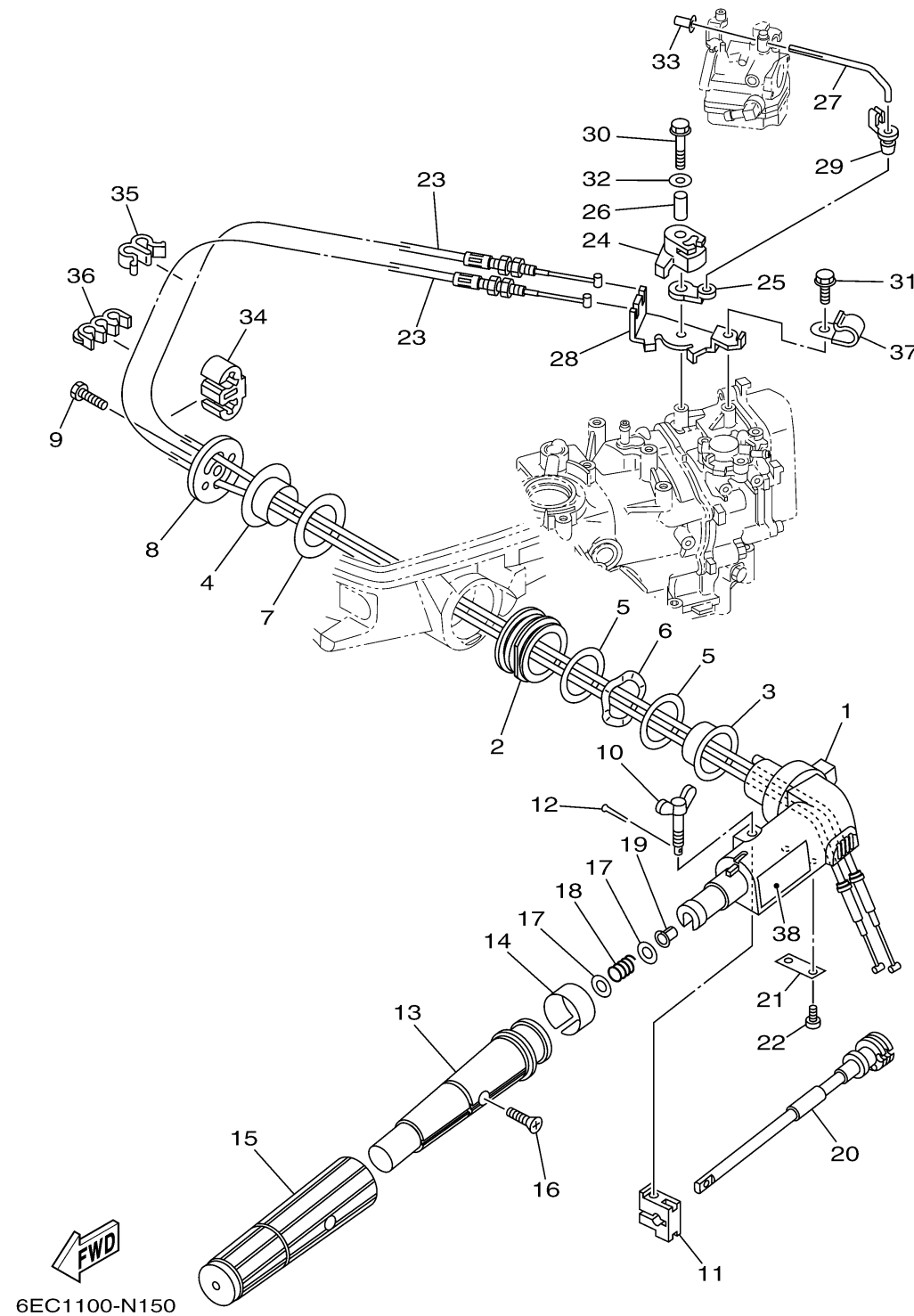
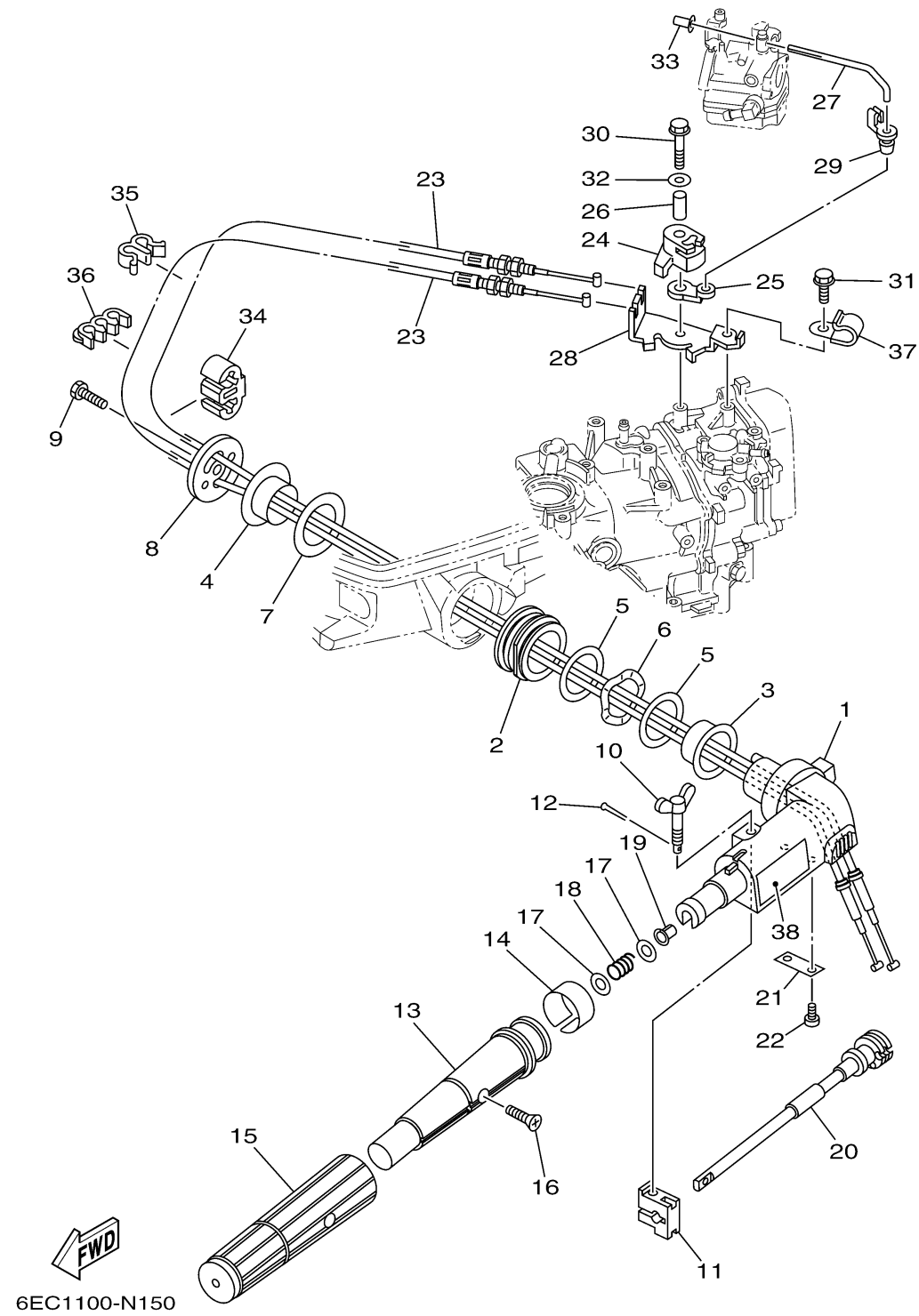


STEERING



Ref No.	Part Number	Description	Qty	Remarks
1	6EE-G2111-00-8D	HANDLE, STEERING	1	
2	6BX-42129-00-00	BUSHING, RUBBER	1	
3	6EE-G2171-00-00	BUSHING	1	
4	6EE-G2172-00-00	BUSHING 2	1	
5	6EE-G2181-00-00	WASHER	2	
6	6EE-G2188-00-00	WASHER, WAVE	1	
7	6EE-G2182-00-00	WASHER 2	1	
8	6EE-G2131-00-00	COVER, HANDLE STEERING	1	
9	97D75-08025-00	BOLT, HEXAGON DEEP RECESS	1	
10	6G1-42125-01-00	BOLT, FRICTION ADJUSTING	1	
11	6EE-G2126-00-00	FRICTION, STEERING HANDLE GRIP	1	
12	91490-16010-00	PIN. COTTER	1	
13	6EE-G2119-00-00	GRIP, STEERING HANDLE	1	
14	6EE-G2137-00-00	INDICATOR, THROTTLE	1	
15	6EE-G2177-01-00	RUBBER, HANDLE	1	
16	90152-05011-00	SCREW, COUNTERSUNK	1	
17	90201-10M02-00	WASHER, PLATE	2	
18	90501-23215-00	SPRING, COMPRESSION	1	
19	90386-08032-00	BUSH	1	
20	6EE-G2138-00-00	LEVER, THROTTLE	1	

CONTINUED ON NEXT FRAME >



STEERING

Ref No.	Part Number	Description	Qty	Remarks
21	6EE-G2159-00-00	STAY	1	
22	97885-05012-00	SCREW, PAN HEAD	2	
23	6EE-F6301-00-00	THROTTLE CABLE ASSY	2	
24	6EE-G1638-00-00	PULLEY	1	
25	6EE-G1283-00-00	LEVER, FREE ACCEL.	1	
26	90387-06252-00	COLLAR	1	
27	6EE-G1211-00-00	LINK, ACCEL.	1	
28	6EE-E4497-00-00	STAY, THROTTLE WIRE	1	
29	661-41262-02-00	JOINT, CHOKE LEVER	1	
30	97E95-06535-00	.BOLT, HEXAGON W/W DEEP RECESS	1	
31	97E95-06512-00	BOLT, HEXAGON W/W DEEP RECESS	1	
32	90201-06M62-00	WASHER, PLATE	1	
33	647-14395-61-00	CAP, OVERFLOW PIPE	1	
34	90464-06006-00	CLAMP	2	
35	90464-07M20-00	CLAMP	1	
36	90464-07M05-00	CLAMP	1	
37	90465-08395-00	CLAMP	1	
38	6EE-G2794-40-00	LABEL, WARNING (GENERAL)	1	