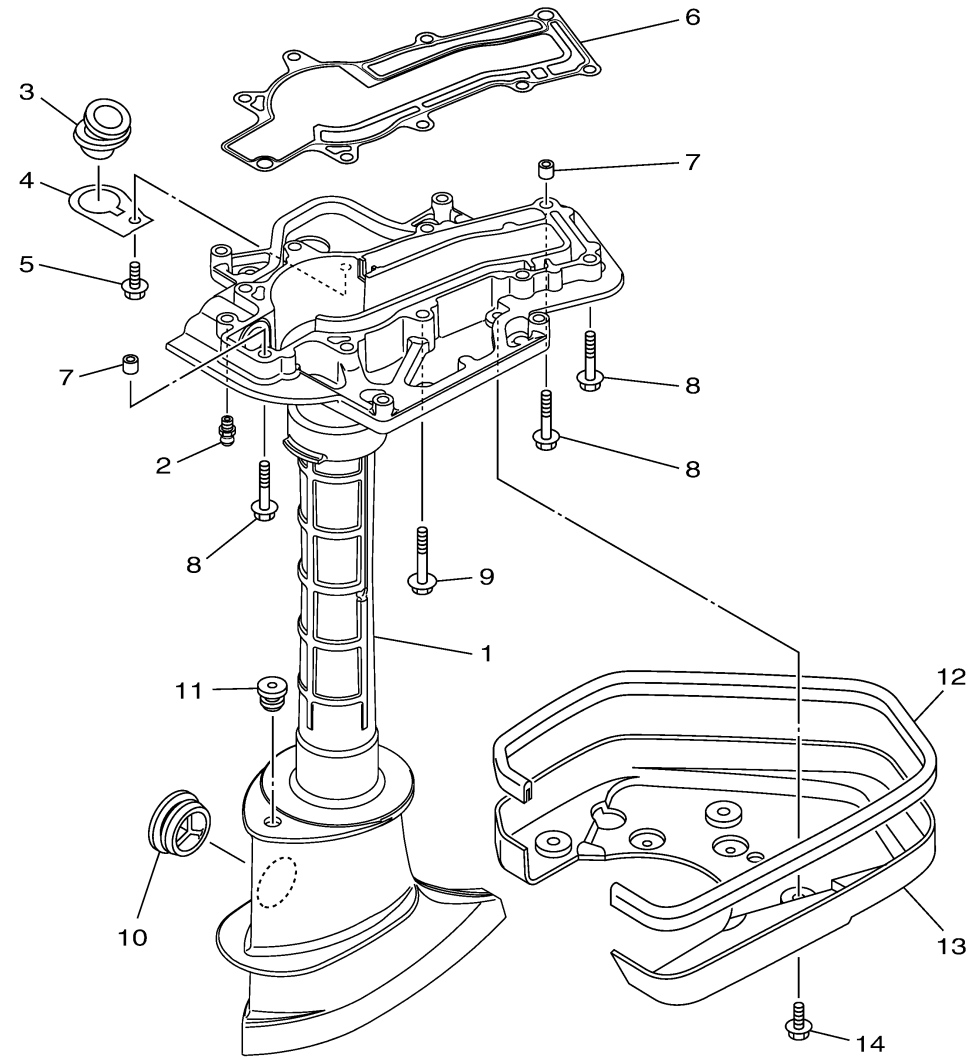


# UPPER CASING



Ref No.	Part Number	Description	Qty	Remarks
1	6EE-G5111-01-8D	CASING, UPPER	1	
2	93700-06M03-00	NIPPLE, GREASE	1	
3	6EE-E5316-01-00	DAMPER 1	1	
4	6EE-G5181-00-00	PLATE	1	
5	97E95-06514-00	BOLT, HEXAGON W/W DEEP RECESS	1	
6	6EE-45113-00-00	.GASKET, UPPER CASING	1	
7	90387-06M14-00	COLLAR	2	
8	97E75-06540-00	BOLT, HEXAGON W/W DEEP RECESS	5	
9	97E75-06550-00	BOLT, HEXAGON W/W DEEP RECESS	4	
10	647-45151-02-00	COVER, UPPER CASING	2	
11	90480-10M13-00	GROMMET	1	
12	6EE-G2716-00-00	RUBBER SEAL 1	1	
13	6EE-G2723-00-00	COVER, BOTTOM	1	
14	97E95-06514-00	BOLT, HEXAGON W/W DEEP RECESS	4	

  
6ED6010-T180