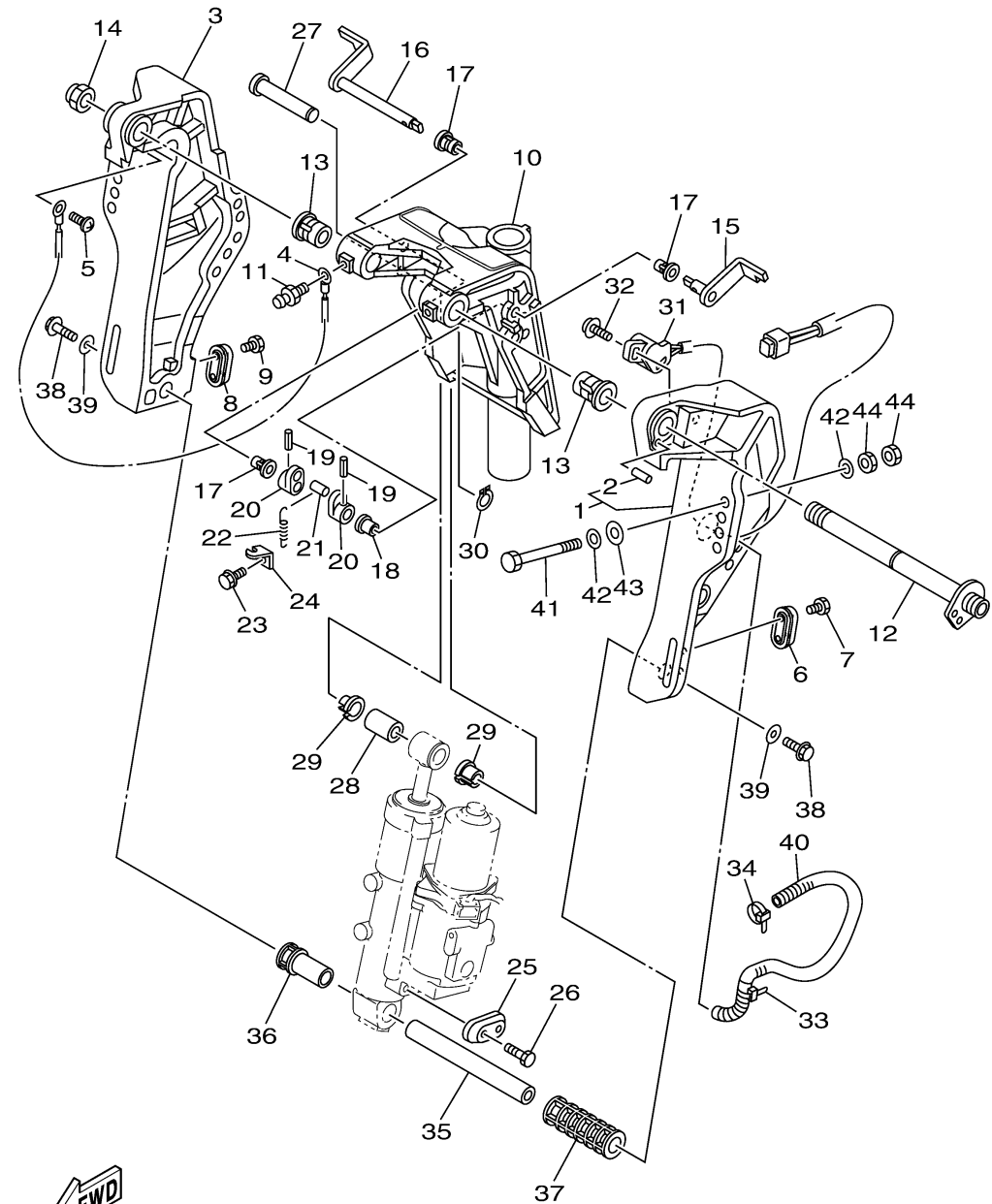


6C1L110-X220

BRACKET 1

Ref No.	Part Number	Description	Qty	Remarks
1	6C5-43111-10-8D	BRACKET, CLAMP 1	1	FOR TILT LIMIT
2	93606-19002-00	..PIN, DOWEL	1	
3	6C5-43112-01-8D	BRACKET, CLAMP 2	1	
4	6E5-82148-00-00	WIRE, LEAD 4	1	
5	97885-06008-00	SCREW, PAN HEAD	1	
6	65W-45251-00-00	ANODE	1	
7	90101-06020-00	BOLT	2	
8	65W-45251-00-00	ANODE	1	
9	90101-06020-00	BOLT	2	
10	6C5-43311-01-8D	BRACKET, SWIVEL 1	1	
11	93700-06002-00	NIPPLE, GREASE	3	
12	6C5-43131-00-00	BOLT, CLAMP BRACKET	1	FOR TILT LIMIT
13	90386-22MA4-00	BUSH	2	
14	90185-22M11-00	NUT, SELF-LOCKING	1	FOR TILT LIMIT
15	6C5-43181-00-00	LEVER, TILT STOP 1	1	
16	6C5-43185-00-00	LEVER, TILT STOP 2	1	
17	90386-10M16-00	BUSH	3	
18	90386-10025-00	BUSH	1	
19	91690-30020-00	PIN, SPRING	2	
20	6G5-43148-00-00	COLLAR, DISTANCE	2	

CONTINUED ON NEXT FRAME >

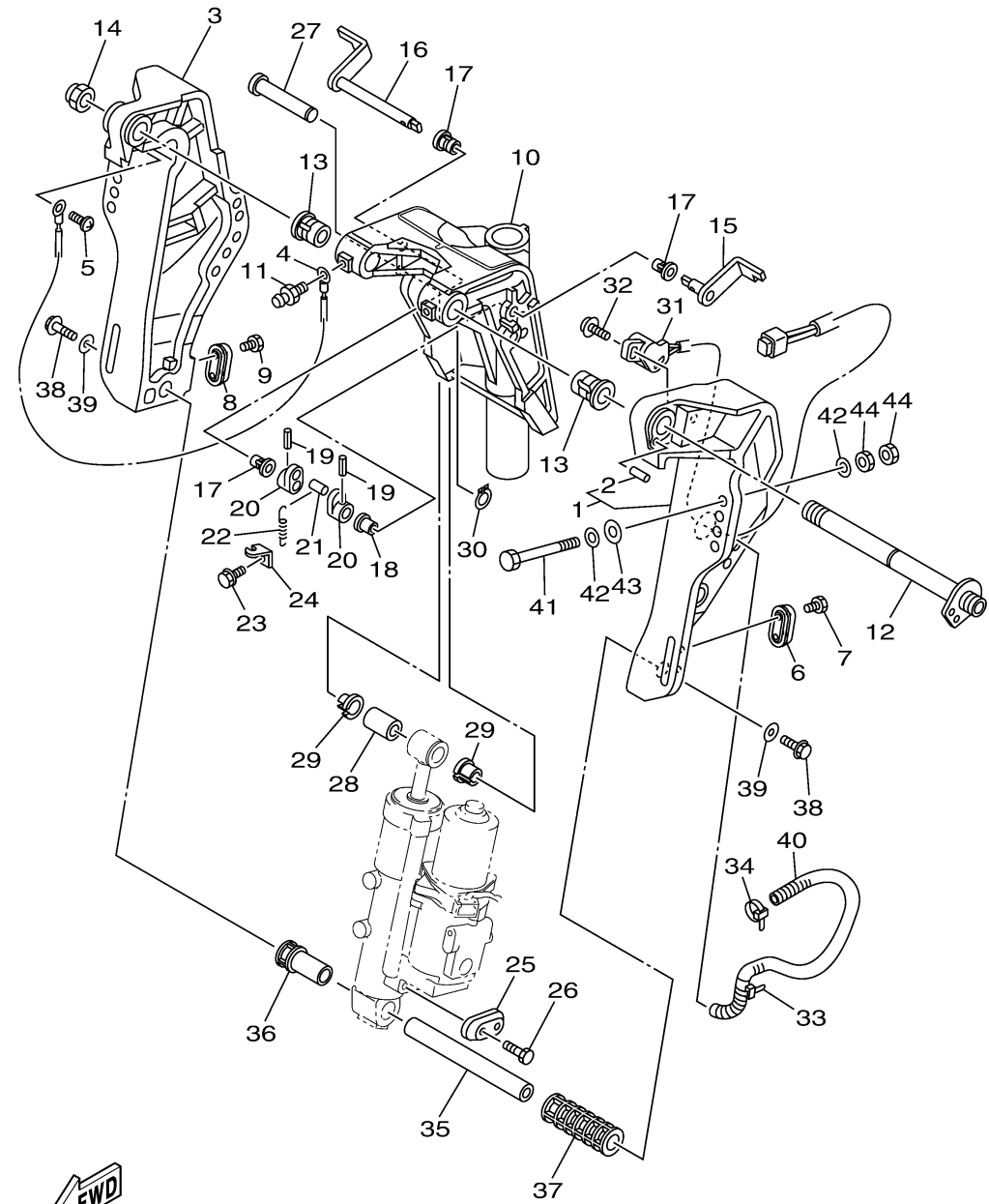


6C1L110-X220

BRACKET 1

Ref No.	Part Number	Description	Qty	Remarks
21	90249-06M19-00	PIN	1	
22	90506-14M24-00	SPRING, TENSION	1	
23	97E95-06512-00	BOLT, HEXAGON W/W DEEP RECESS	1	
24	6G5-43144-00-00	HOOK, SPRING	1	
25	65W-45251-00-00	ANODE	1	
26	90101-06020-00	BOLT	2	
27	6E5-43126-02-00	PIN, UPPER SHOCK MOUNT	1	
28	90386-18M92-00	BUSH	1	
29	90386-18M35-00	BUSH	2	
30	93410-18M05-00	CIRCLIP	1	
31	63D-83672-11-00	TRIM SENDER	1	
32	97985-06216-00	SCREW, WITH WASHER	2	
33	90464-99004-00	CLAMP	1	
34	90465-11M10-00	CLAMP	1	
35	6CJ-43818-00-00	PIN, LOWER SHOCK MOUNT	1	
36	6C5-43833-00-00	PIPE	1	
37	6C5-43834-00-00	PIPE	1	
38	90119-10054-00	BOLT, WITH WASHER	2	
39	90201-10060-00	WASHER, PLATE	2	
40	90447-19009-00	TUBE	1	EXCEPT JET-DRIVE

CONTINUED ON NEXT FRAME >



6C1L110-X220

BRACKET 1

Ref No.	Part Number	Description	Qty	Remarks
40	90447-13010-00	TUBE	0	FOR JET-DRIVE
41	90101-12063-00	BOLT (L:105MM)	4	
42	90201-12062-00	WASHER, PLATE	8	
43	90201-12426-00	WASHER, PLATE	4	
44	95380-12600-00	NUT	8	