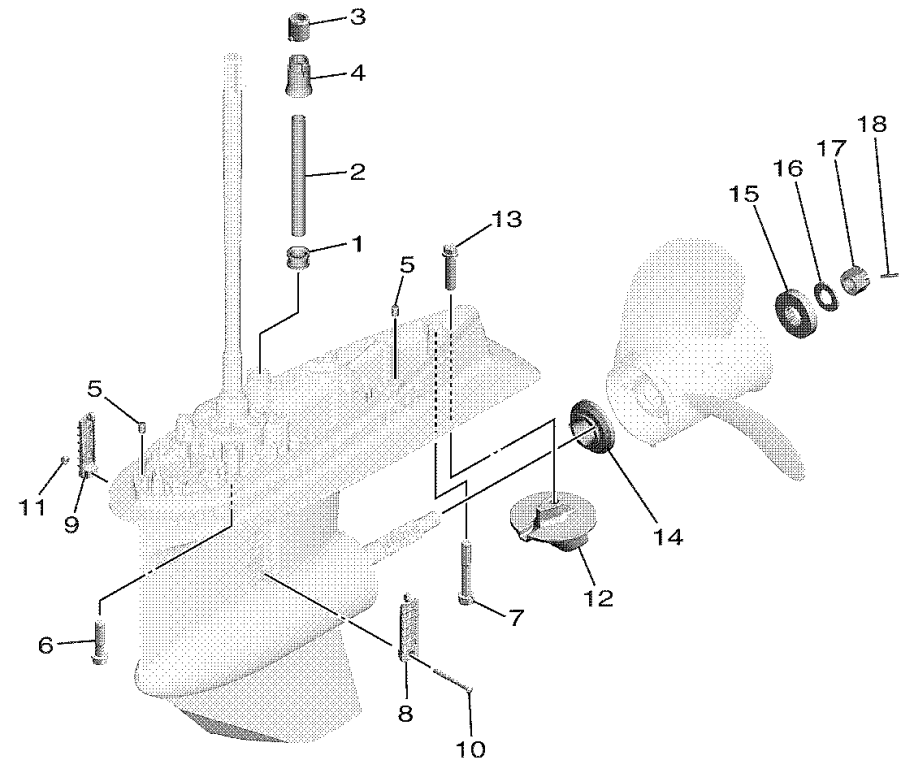


LOWER CASING DRIVE 2



Ref No.	Part Number	Description	Qty	Remarks
1	6E5-44366-01-00	DAMPER, WATER SEAL 2	1	
2	90440-16002-00	PIPE (L294)	0	X(25.3")
2	90440-16001-00	PIPE (L167)	1	L(20.3")
3	6EK-44365-01-00	DAMPER, WATER SEAL 1	1	
4	6EK-44379-00-00	GUIDE, WATER TUBE	1	
5	93608-12M05-00	PIN, DOWEL	2	
6	97E95-10545-00	BOLT, HEXAGON W/W DEEP RECESS	6	
7	90119-10071-00	BOLT, WITH WASHER	1	
8	688-45214-02-00	COVER, WATER INLET 1	1	
9	688-45215-02-00	COVER, WATER INLET 2	1	
10	90152-05M07-00	SCREW, COUNTERSUNK	1	
11	90185-05002-00	NUT, NYLON	1	
12	6E5-45371-01-00	TAB-TRIM	1	
13	90105-10M00-00	BOLT, FLANGE	1	
14	63P-45987-00-00	SPACER 1	1	
15	688-45997-01-00	SPACER 2	1	
16	92990-18200-00	WASHER	1	
17	90171-18M04-00	NUT, CASTLE	1	
18	91490-40030-00	PIN. COTTER	1	


 6HK1100DS300