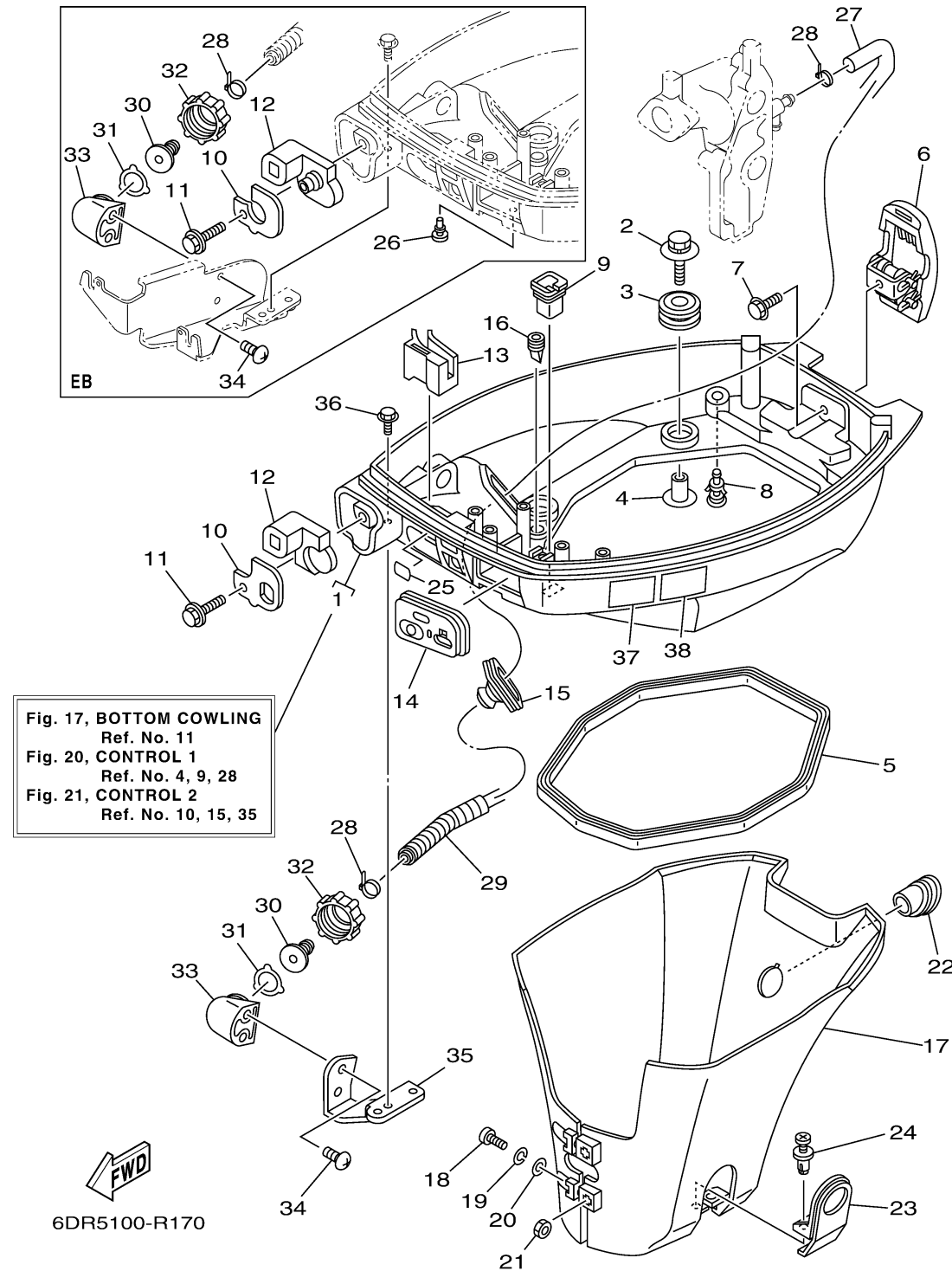


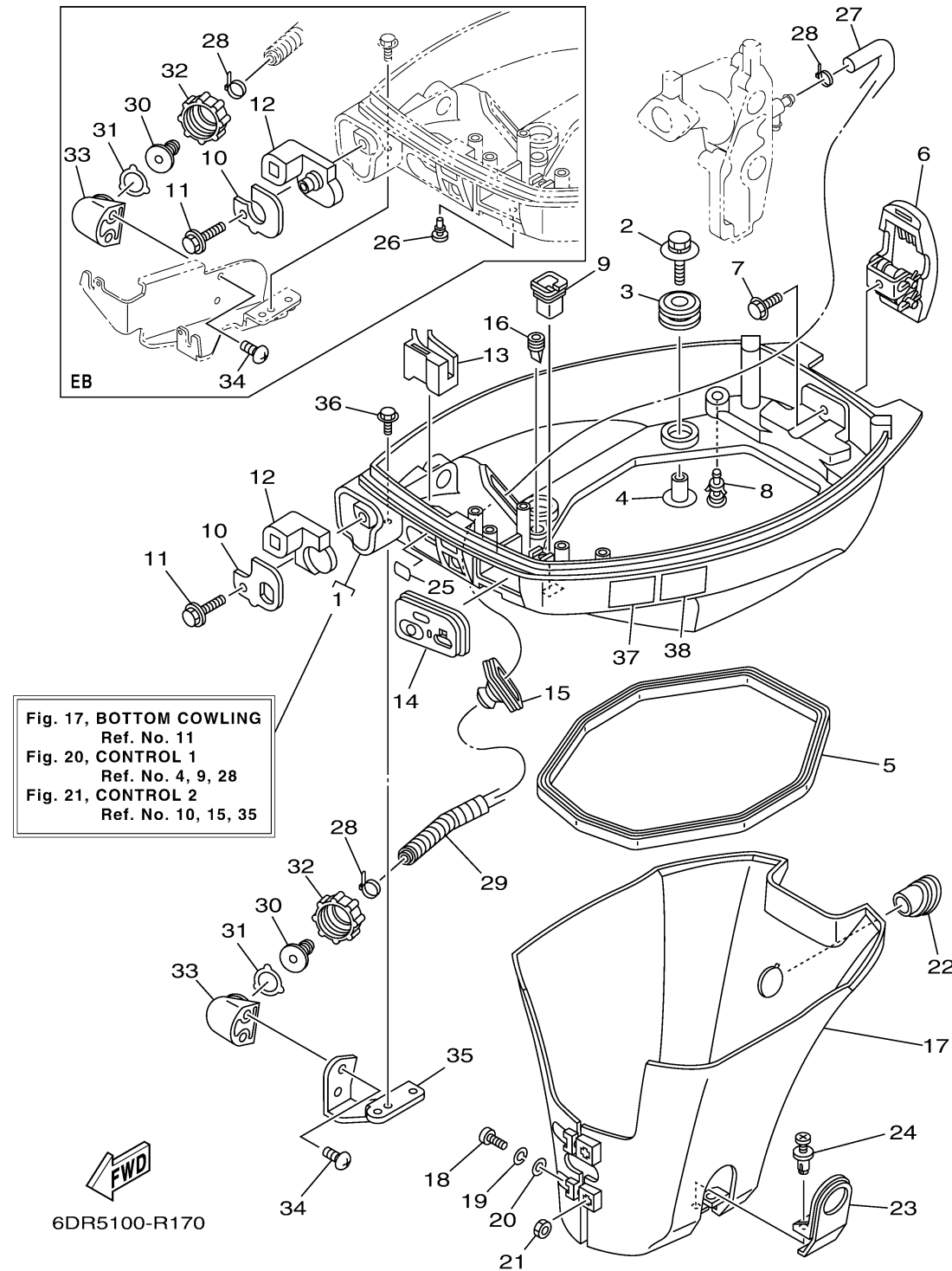
# BOTTOM COWLING



| Ref No. | Part Number     | Description                   | Qty | Remarks      |
|---------|-----------------|-------------------------------|-----|--------------|
| 1       | 6DR-42710-00-8D | BOTTOM COWLING ASSY           | 1   | GRAY         |
| 1       | 6DR-42710-00-CE | BOTTOM COWLING ASSY           | 0   | WHITE        |
| 2       | 90119-06291-00  | BOLT, WITH WASHER             | 4   |              |
| 3       | 90480-21M82-00  | GROMMET                       | 4   |              |
| 4       | 90387-06176-00  | COLLAR                        | 4   |              |
| 5       | 68T-42716-10-00 | RUBBER SEAL 1                 | 1   |              |
| 6       | 6AU-42801-00-00 | COWLING CLAMP COMP.           | 1   |              |
| 7       | 97E95-06512-00  | BOLT, HEXAGON W/W DEEP RECESS | 1   |              |
| 8       | 6BL-44391-00-00 | NIPPLE, HOSE                  | 1   |              |
| 9       | 682-42727-01-00 | GROMMET                       | 1   |              |
| 10      | 6DR-42761-10-00 | .STOPPER                      | 0   |              |
| 10      | 6DR-42761-00-00 | STOPPER                       | 1   |              |
| 11      | 90109-06M86-00  | BOLT                          | 1   |              |
| 12      | 6DR-42725-01-00 | GROMMET                       | 1   |              |
| 12      | 6DR-42725-11-00 | .GROMMET                      | 0   |              |
| 13      | 68T-26367-01-00 | PROTECTOR                     | 1   |              |
| 14      | 68T-42724-20-00 | GROMMET                       | 1   |              |
| 15      | 688-42726-11-00 | GROMMET                       | 1   | FLUSHING KIT |
| 16      | 65W-42717-00-00 | RUBBER, SEAL 2                | 2   |              |
| 17      | 68T-42741-00-00 | APRON                         | 1   | GRAY         |

CONTINUED ON NEXT FRAME >

# BOTTOM COWLING



| Ref No. | Part Number     | Description        | Qty | Remarks      |
|---------|-----------------|--------------------|-----|--------------|
| 17      | 68T-42741-10-CE | APRON              | 0   | WHITE        |
| 18      | 97885-06030-00  | SCREW, PAN HEAD    | 2   |              |
| 19      | 92995-06100-00  | WASHER, SPRING     | 2   |              |
| 20      | 92995-06600-00  | WASHER             | 2   |              |
| 21      | 95380-06600-00  | NUT, HEXAGON       | 2   |              |
| 22      | 68T-42717-01-00 | RUBBER, SEAL 2     | 1   |              |
| 23      | 68T-42771-00-00 | APRON              | 1   | GRAY         |
| 23      | 68T-42771-10-CE | APRON              | 0   | WHITE        |
| 24      | 90338-06M20-00  | PLUG               | 2   |              |
| 25      | 65W-84342-00-00 | SEAT, EMBLEM       | 1   | GRAY         |
| 25      | 65W-84342-10-00 | SEAT, EMBLEM       | 0   | WHITE        |
| 26      | 90480-06M19-00  | GROMMET            | 0   |              |
| 27      | 6E5-12481-00-00 | PIPE 1             | 1   | FLUSHING KIT |
| 28      | 90465-11M10-00  | CLAMP              | 2   | FLUSHING KIT |
| 29      | 90447-13M00-00  | TUBE               | 1   | FLUSHING KIT |
| 30      | 6R3-12582-00-00 | JOINT, HOSE 2      | 1   | FLUSHING KIT |
| 31      | 6R3-12583-00-00 | GASKET, HOSE JOINT | 1   | FLUSHING KIT |
| 32      | 6R3-12581-00-00 | JOINT, HOSE 1      | 1   | FLUSHING KIT |
| 33      | 6DR-12572-00-00 | ADAPTER            | 1   | FLUSHING KIT |
| 34      | 90167-06002-00  | SCREW, TAPPING     | 2   | FLUSHING KIT |

CONTINUED ON NEXT FRAME >

# BOTTOM COWLING

| Ref No. | Part Number     | Description                   | Qty | Remarks      |
|---------|-----------------|-------------------------------|-----|--------------|
| 35      | 68T-12535-20-00 | PLATE                         | 1   | FLUSHING KIT |
| 36      | 97E95-06512-00  | BOLT, HEXAGON W/W DEEP RECESS | 2   | FLUSHING KIT |
| 37      | 6EE-42794-40-00 | LABEL, WARNING (GENERAL)      | 1   |              |
| 38      | 6EE-42794-50-00 | LABEL, WARNING (GENERAL)      | 1   |              |

