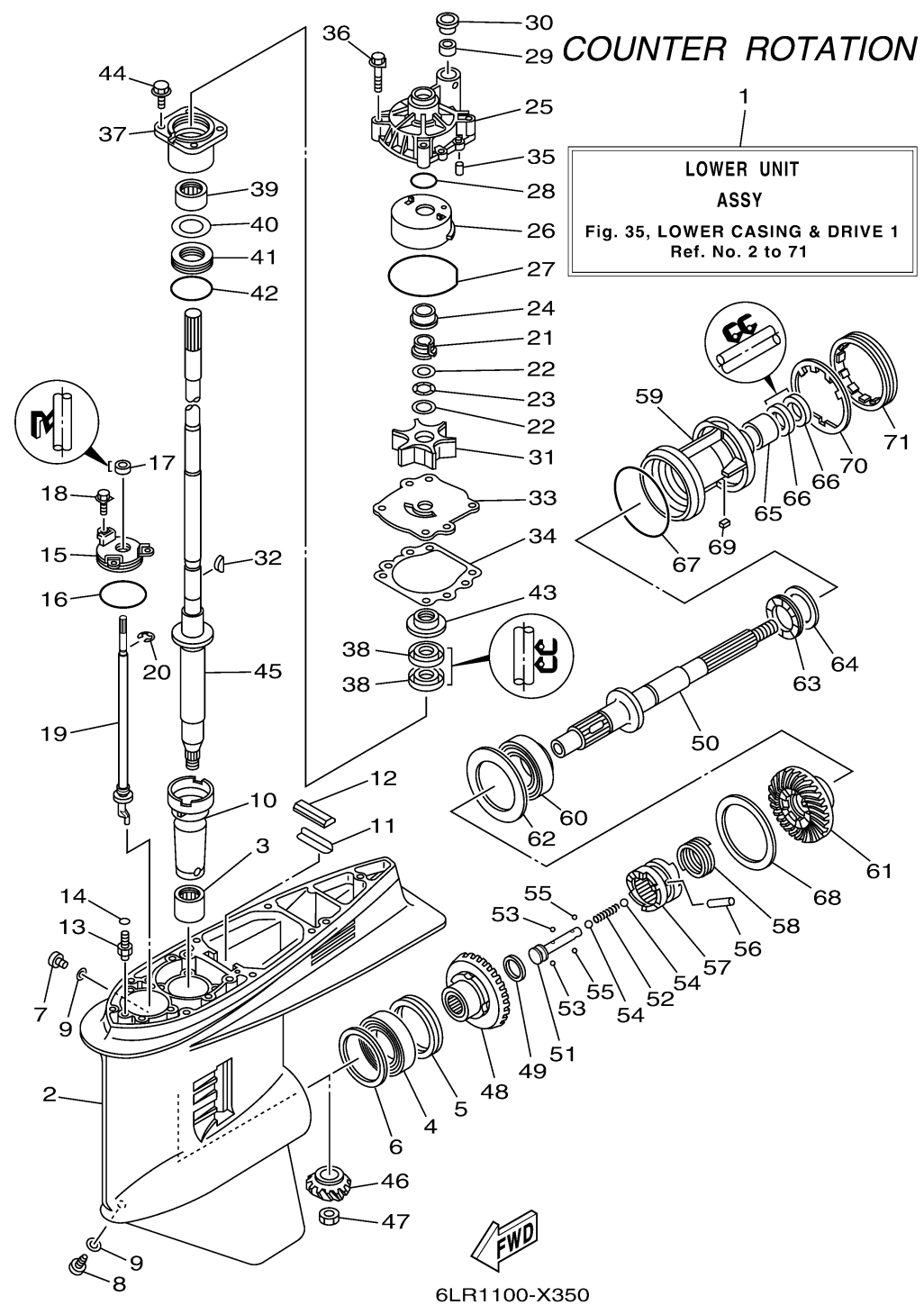


## LOWER CASING & DRIVE 1

| Ref No. | Part Number     | Description          | Qty | Remarks         |
|---------|-----------------|----------------------|-----|-----------------|
| 1       | 6DB-45300-15-8D | LOWER UNIT ASSY      | 1   | GRAY, X(25.2")  |
| 1       | 6DB-45300-15-CE | LOWER UNIT ASSY      | 0   | WHITE, X(25.2") |
| 2       | 6J9-45301-07-8D | CASING, LOWER        | 1   | GRAY            |
| 2       | 6J9-45301-07-CE | CASING, LOWER        | 0   | WHITE           |
| 3       | 93311-928U5-00  | BEARING              | 1   |                 |
| 4       | 93390-000U2-00  | BEARING              | 1   |                 |
| 5       | 93341-465U4-00  | BEARING              | 1   |                 |
| 6       | 6G5-45567-01-00 | SHIM (T:0.10MM)      | 1   | UR              |
| 6       | 6G5-45567-10-00 | SHIM (T:0.12MM)      | 1   | UR              |
| 6       | 6G5-45567-20-00 | SHIM (T:0.15MM)      | 1   | UR              |
| 6       | 6G5-45567-30-00 | SHIM (T:0.18MM)      | 1   | UR              |
| 6       | 6G5-45567-40-00 | SHIM (T:0.30MM)      | 1   | UR              |
| 6       | 6G5-45567-50-00 | SHIM (T:0.40MM)      | 1   | UR              |
| 6       | 6G5-45567-60-00 | SHIM (T:0.50MM)      | 1   | UR              |
| 7       | 90340-08002-00  | PLUG, STRAIGHT SCREW | 1   |                 |
| 8       | 688-45341-10-00 | PLUG, DRAIN          | 1   |                 |
| 9       | 90430-08003-00  | .GASKET              | 2   |                 |
| 10      | 6G5-45536-01-00 | SLEEVE, DRIVE SHAFT  | 1   |                 |
| 11      | 663-45376-00-00 | GUIDE, SEAL DAMPER   | 1   |                 |
| 12      | 688-45375-00-00 | DAMPER, SEAL         | 1   |                 |

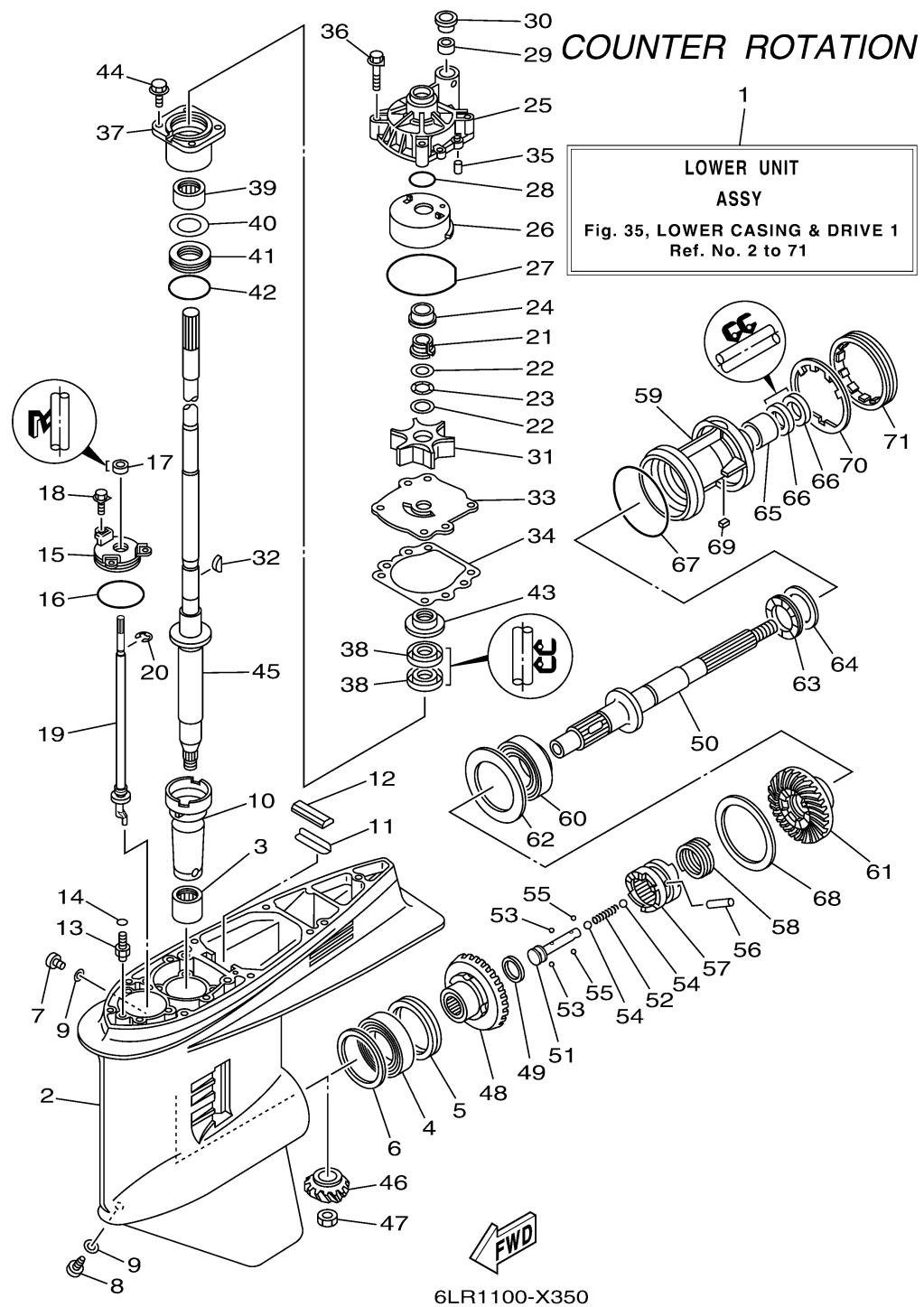
CONTINUED ON NEXT FRAME >



## LOWER CASING & DRIVE 1

| Ref No. | Part Number     | Description               | Qty | Remarks |
|---------|-----------------|---------------------------|-----|---------|
| 13      | 63P-45378-00-00 | NIPPLE, HOSE              | 1   |         |
| 14      | 93210-07003-00  | O-RING                    | 1   |         |
| 15      | 6E5-45321-00-00 | PLATE                     | 1   |         |
| 16      | 93210-58144-00  | .O-RING                   | 1   |         |
| 17      | 93106-09014-00  | .OIL SEAL                 | 1   |         |
| 18      | 90119-06286-00  | BOLT, WITH WASHER         | 3   |         |
| 19      | 64P-44150-01-00 | SHIFT CAM ASSY            | 1   |         |
| 20      | 99001-08600-00  | CIRCLIP                   | 1   |         |
| 21      | 61A-45538-00-00 | SPACER 1                  | 1   |         |
| 22      | 90201-22M01-00  | WASHER, PLATE             | 2   |         |
| 23      | 90206-22M19-00  | WASHER, WAVE              | 1   |         |
| 24      | 61A-45527-00-00 | COLLAR, DRIVE SHAFT       | 1   |         |
| 25      | 61A-44311-01-00 | HOUSING, WATER PUMP       | 1   |         |
| 26      | 61A-44322-02-00 | .INSERT, CARTRIDGE        | 1   |         |
| 27      | 93210-86M38-00  | .O-RING                   | 1   |         |
| 28      | 93210-37160-00  | .O-RING                   | 1   |         |
| 29      | 6E5-44365-01-00 | DAMPER, WATER SEAL 1      | 1   |         |
| 30      | 6E5-44312-00-00 | COVER, WATER PUMP HOUSING | 1   |         |
| 31      | 6E5-44352-01-00 | .IMPELLER                 | 1   |         |
| 32      | 90280-04M05-00  | .KEY, WOODRUFF            | 1   |         |

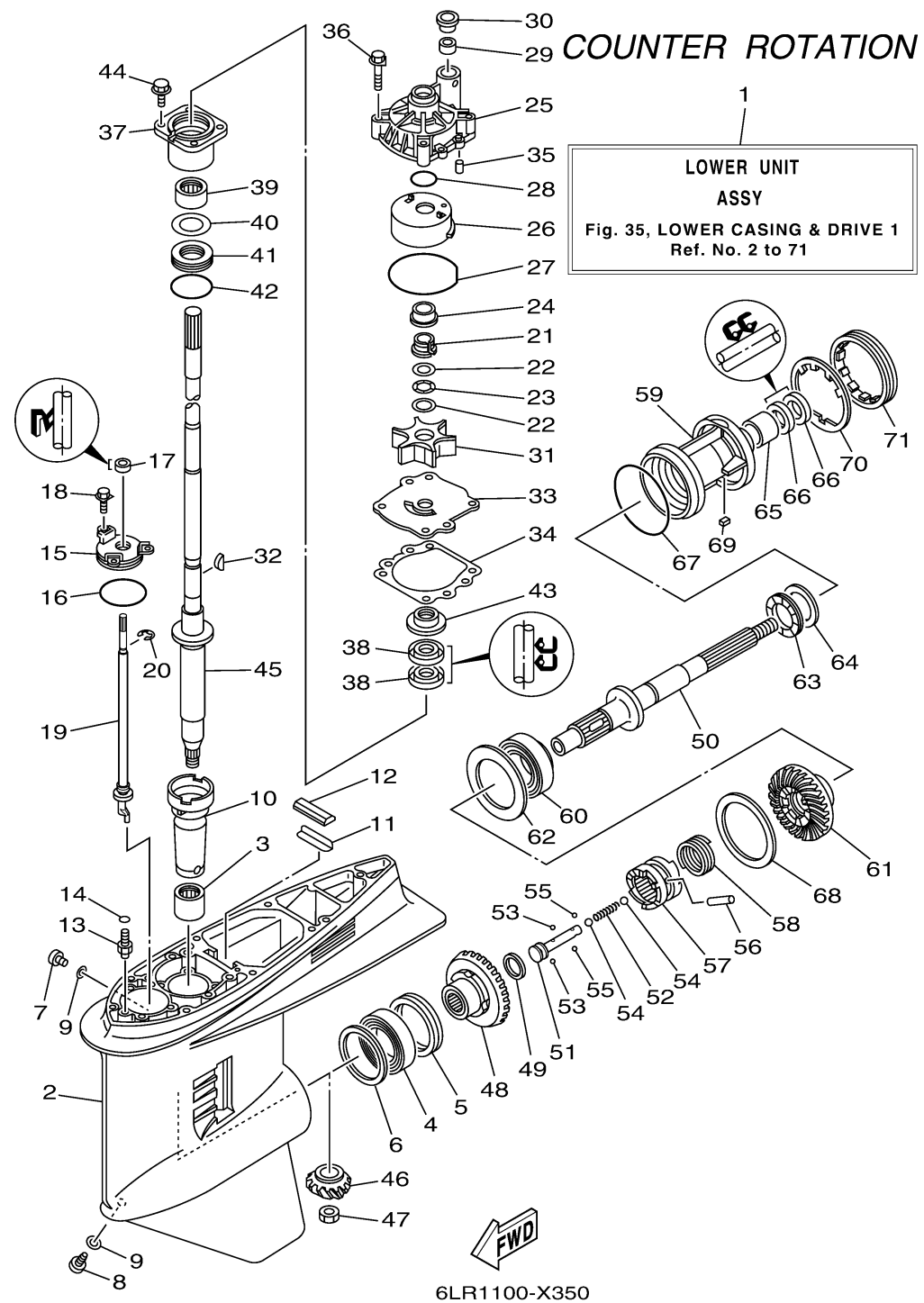
CONTINUED ON NEXT FRAME >



## LOWER CASING & DRIVE 1

| Ref No. | Part Number     | Description                   | Qty | Remarks  |
|---------|-----------------|-------------------------------|-----|----------|
| 33      | 6G5-44323-01-00 | .OUTER PLATE, CARTRIDGE       | 1   |          |
| 34      | 6E5-44315-A0-00 | .GASKET, WATER PUMP           | 1   |          |
| 35      | 93606-12019-00  | PIN, DOWEL                    | 2   |          |
| 36      | 90119-08191-00  | .BOLT, WITH WASHER            | 4   |          |
| 37      | 6E5-45331-00-9S | HOUSING, BEARING              | 1   |          |
| 38      | 93101-28M16-00  | .OIL SEAL                     | 2   |          |
| 39      | 93317-330U2-00  | BEARING                       | 1   |          |
| 40      | 6E5-45587-01-00 | SHIM (T:0.10MM)               | 1   | UR       |
| 40      | 6E5-45587-10-00 | SHIM (T:0.12MM)               | 1   | UR       |
| 40      | 6E5-45587-20-00 | SHIM (T:0.15MM)               | 1   | UR       |
| 40      | 6E5-45587-30-00 | SHIM (T:0.18MM)               | 1   | UR       |
| 40      | 6E5-45587-40-00 | SHIM (T:0.30MM)               | 1   | UR       |
| 40      | 6E5-45587-50-00 | SHIM (T:0.40MM)               | 1   | UR       |
| 40      | 6E5-45587-60-00 | SHIM (T:0.50MM)               | 1   | UR       |
| 41      | 93341-930V2-00  | BEARING                       | 1   |          |
| 42      | 93210-55M14-00  | .O-RING                       | 1   |          |
| 43      | 6E5-45344-00-00 | COVER, OIL SEAL               | 1   |          |
| 44      | 97E95-08525-00  | BOLT, HEXAGON W/W DEEP RECESS | 4   |          |
| 45      | 6DA-45501-10-00 | DRIVE SHAFT COMP.             | 1   | X(25.2") |
| 46      | 6DA-45551-00-00 | PINION (14T)                  | 1   |          |

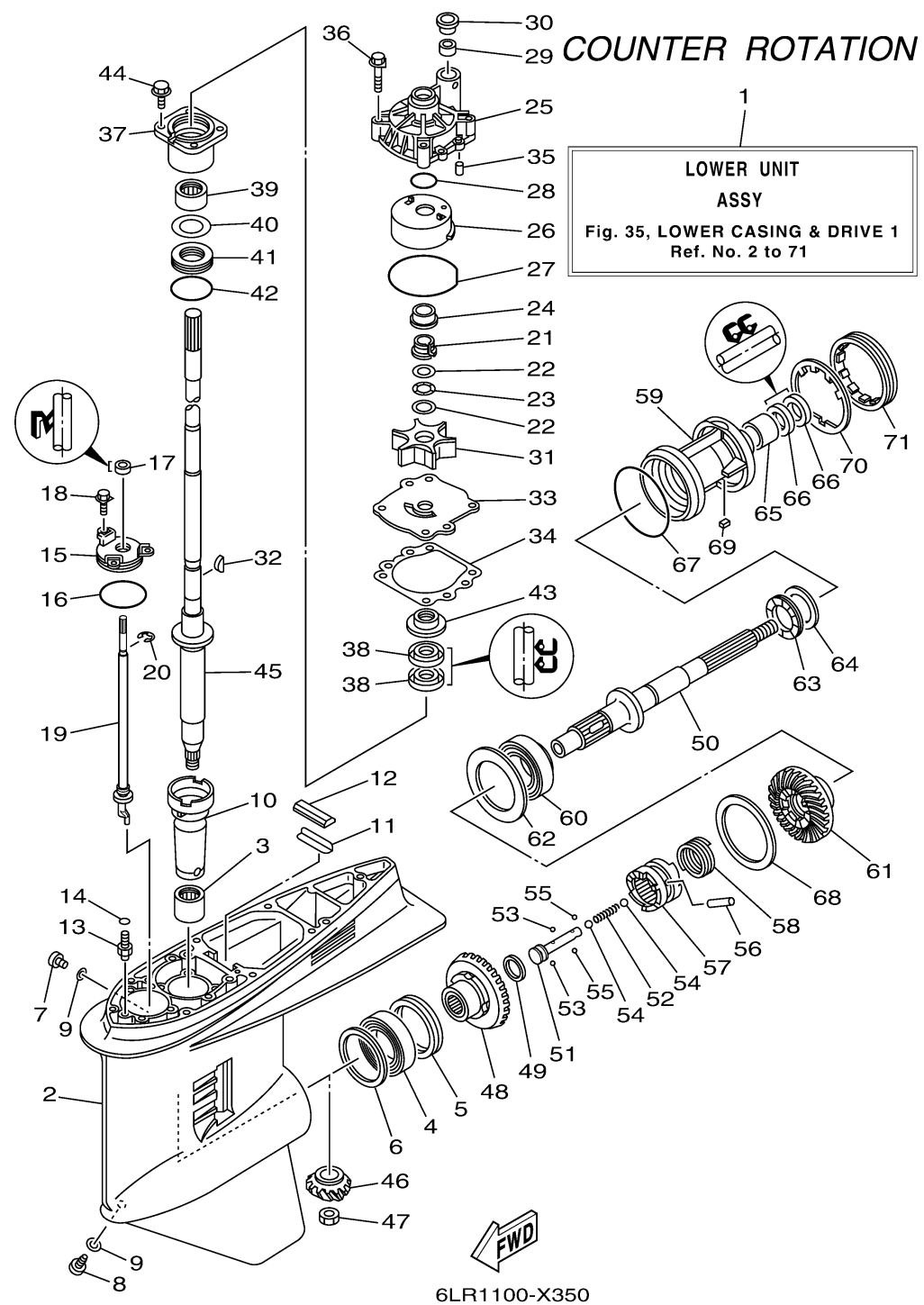
CONTINUED ON NEXT FRAME >



# LOWER CASING & DRIVE 1

| Ref No. | Part Number     | Description         | Qty | Remarks |
|---------|-----------------|---------------------|-----|---------|
| 47      | 90170-16M01-00  | NUT                 | 1   |         |
| 48      | 6DB-45560-00-00 | GEAR 1 (26T)        | 1   |         |
| 49      | 90201-26015-00  | WASHER, PLATE       | 1   |         |
| 50      | 6K1-45611-11-00 | SHAFT, PROPELLER    | 1   |         |
| 51      | 6E5-45634-02-00 | SLIDE, SHIFT        | 1   |         |
| 52      | 90501-16M37-00  | SPRING, COMPRESSION | 1   |         |
| 53      | 93507-32009-00  | .BALL               | 2   |         |
| 54      | 93511-32017-00  | BALL                | 2   |         |
| 55      | 93503-16003-00  | .BALL               | 2   |         |
| 56      | 90250-08M07-00  | PIN, STRAIGHT       | 1   |         |
| 57      | 6DA-45631-01-00 | CLUTCH, DOG         | 1   |         |
| 58      | 6E5-45633-01-00 | RING, CROSS PIN     | 1   |         |
| 59      | 6K1-45332-01-CA | HOUSING, BEARING    | 1   |         |
| 60      | 93332-00048-00  | BEARING             | 1   |         |
| 61      | 6DB-45570-01-00 | GEAR 2 (26T)        | 1   |         |
| 62      | 6K1-45576-00-00 | WASHER, THRUST 2    | 1   |         |
| 63      | 93341-440U5-00  | BEARING             | 1   |         |
| 64      | 6K1-45578-10-00 | SHIM (T:0.12MM)     | 1   | UR      |
| 64      | 6K1-45578-20-00 | SHIM (T:0.15MM)     | 1   | UR      |
| 64      | 6K1-45578-30-00 | SHIM (T:0.18MM)     | 1   | UR      |

CONTINUED ON NEXT FRAME >



## LOWER CASING & DRIVE 1

| Ref No. | Part Number     | Description     | Qty | Remarks |
|---------|-----------------|-----------------|-----|---------|
| 64      | 6K1-45578-40-00 | SHIM (T:0.30MM) | 1   | UR      |
| 64      | 6K1-45578-50-00 | SHIM (T:0.40MM) | 1   | UR      |
| 64      | 6K1-45578-60-00 | SHIM (T:0.50MM) | 1   | UR      |
| 64      | 6K1-45578-01-00 | SHIM (T:0.10MM) | 1   | UR      |
| 65      | 93315-43061-00  | BEARING         | 1   |         |
| 66      | 93101-30M17-00  | .OIL SEAL       | 2   |         |
| 67      | 93210-97M55-00  | .O-RING         | 1   |         |
| 68      | 6G5-45577-02-00 | SHIM (T:0.10MM) | 1   | UR      |
| 68      | 6G5-45577-10-00 | SHIM (T:0.12MM) | 1   | UR      |
| 68      | 6G5-45577-20-00 | SHIM (T:0.15MM) | 1   | UR      |
| 68      | 6G5-45577-30-00 | SHIM (T:0.18MM) | 1   | UR      |
| 68      | 6G5-45577-40-00 | SHIM (T:0.30MM) | 1   | UR      |
| 68      | 6G5-45577-50-00 | SHIM (T:0.40MM) | 1   | UR      |
| 68      | 6G5-45577-60-00 | SHIM (T:0.50MM) | 1   | UR      |
| 69      | 90282-04M00-00  | KEY, STRAIGHT   | 1   |         |
| 70      | 6G5-45383-01-00 | WASHER, CLAW    | 1   |         |
| 71      | 6G5-45384-02-00 | NUT             | 1   |         |