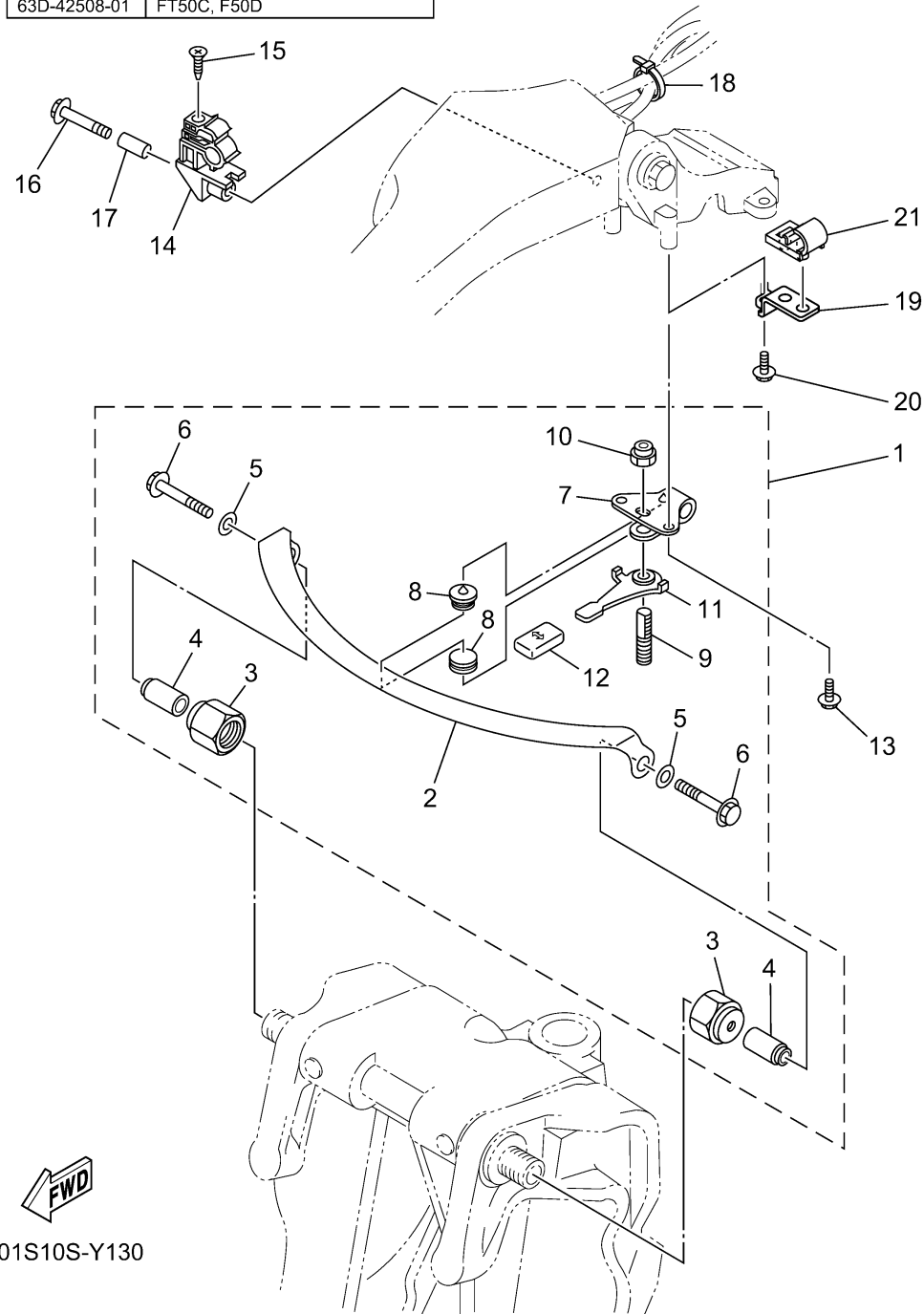


STEERING FRICTION

Part No.	Applicable model
63D-42508-01	FT50C, F50D



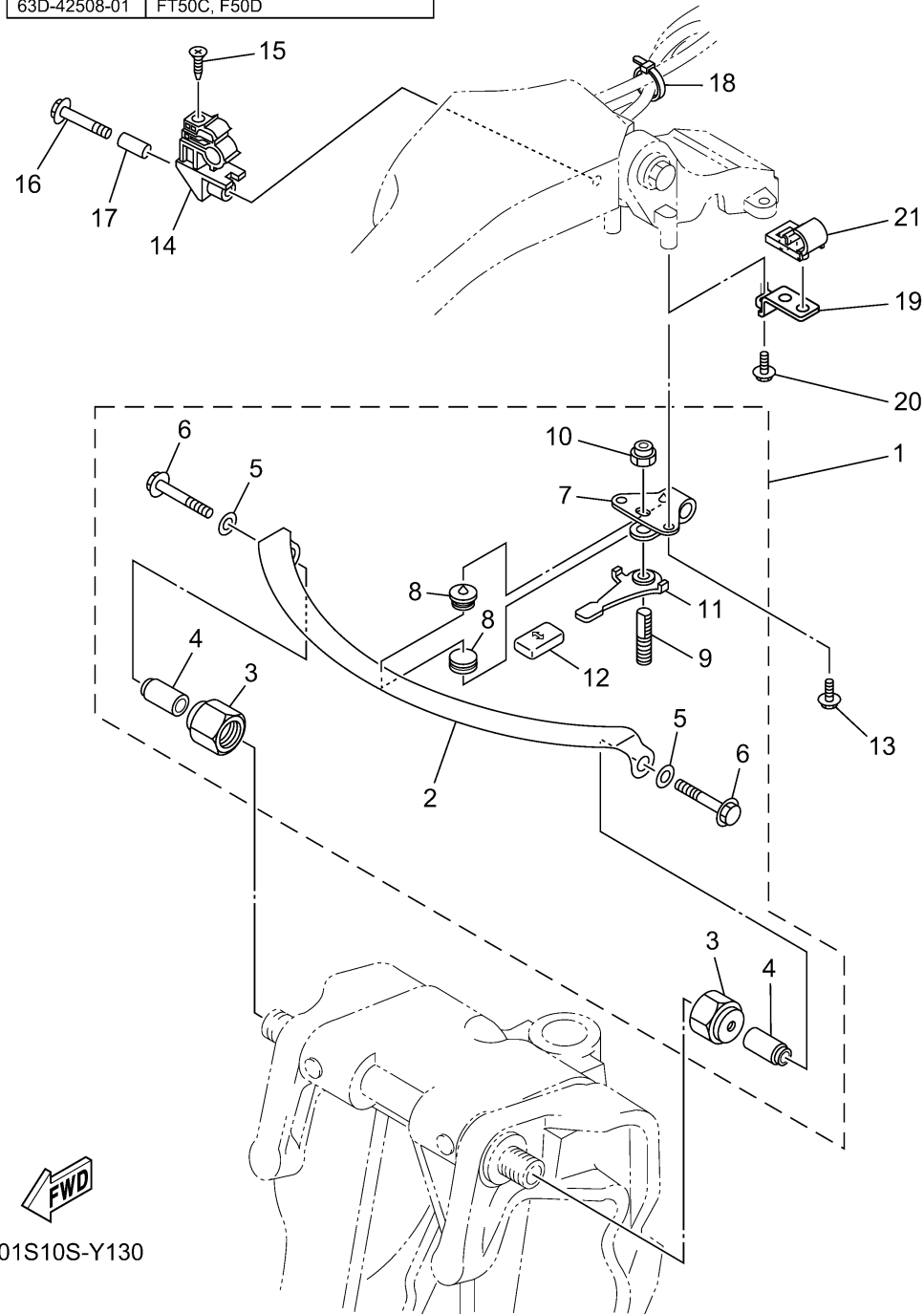
STEERING FRICTION 5

Ref No.	Part Number	Description	Qty	Remarks
1	63D-42508-01-00	STEERING FRICTION ASSY	1	
2	63D-42527-00-00	..PLATE, FRICTION	1	
3	63D-42546-00-00	..NUT	2	
4	63D-42541-00-00	..PIPE 1	2	
5	90201-08M01-00	..WASHER, PLATE	2	
6	97E95-08550-00	..BOLT, HEXAGON W/W DEEP RECESS	2	
7	63D-42526-00-00	..PLATE, FRICTION	1	
8	63D-42528-00-00	..PLATE, FRICTION	2	
9	63D-42562-00-00	..SHAFT, STEERING LOCK	1	
10	90185-10M01-00	..NUT, SELF-LOCKING	1	
11	63D-42561-00-00	..KNOB, STEERING LOCK	1	
12	682-43318-01-00	..COVER	1	
13	97E95-06516-00	BOLT, HEXAGON W/W DEEP RECESS	2	
14	63D-82361-00-00	CLAMP, CORD	1	
15	90161-06M00-00	SCREW, TAPPING	1	
16	97E95-06535-00	BOLT, HEXAGON W/W DEEP RECESS	1	
17	90387-06M26-00	COLLAR	1	
18	90465-13M36-00	CLAMP	1	
19	63D-24364-10-00	STAY	1	
20	97E95-06516-00	BOLT, HEXAGON W/W DEEP RECESS	1	

CONTINUED ON NEXT FRAME >

STEERING FRICTION

Part No.	Applicable model
63D-42508-01	FT50C, F50D



STEERING FRICTION 5

Ref No.	Part Number	Description	Qty	Remarks
21	63D-24367-00-00	CLAMP, FUEL PIPE 2	1	