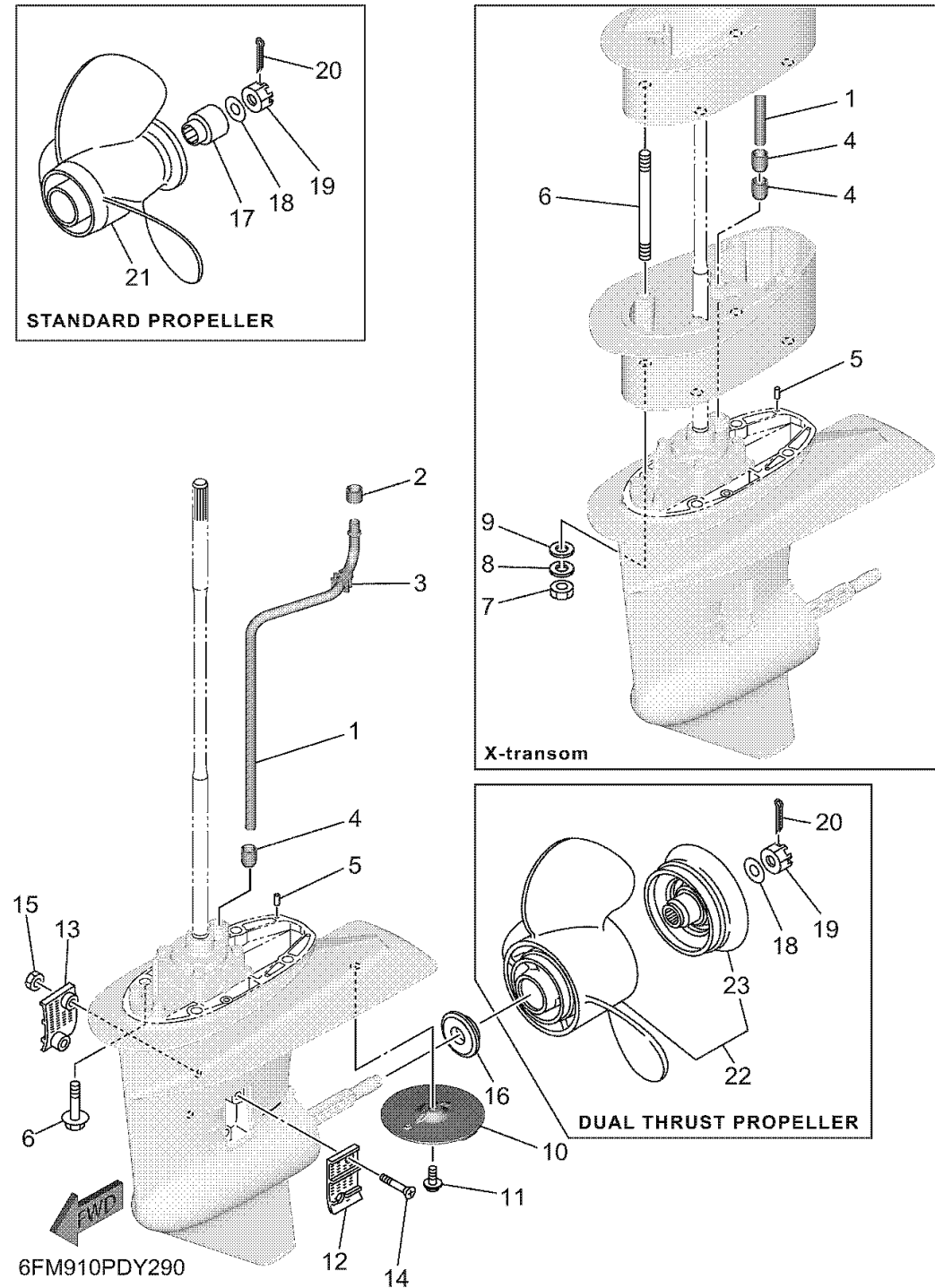


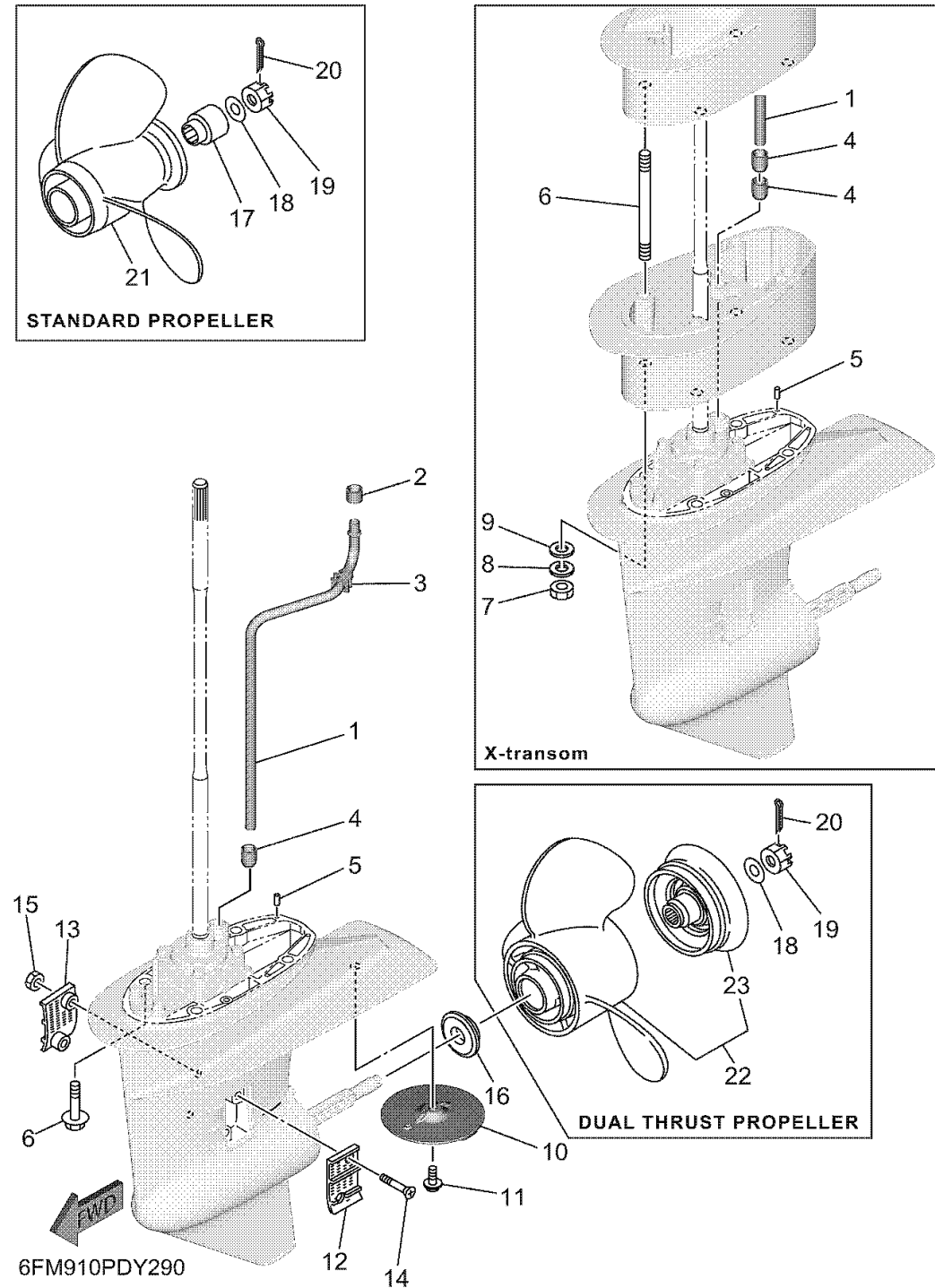
LOWER CASING DRIVE 2



Ref No.	Part Number	Description	Qty	Remarks
1	6FM-44361-20-00	TUBE, WATER 1	0	X(25.1")
1	6FM-44361-10-00	TUBE, WATER 1	1	L(21.7")
2	682-44365-01-00	.DAMPER, WATER SEAL 1	1	
3	6AH-44365-01-00	.DAMPER, WATER SEAL 1	1	
4	6L2-44368-01-00	.RUBBER, WATER SEAL 4	0	X(25.1")
4	6L2-44368-01-00	.RUBBER, WATER SEAL 4	1	L(21.7")
5	93604-12M07-00	.PIN, DOWEL	2	
6	97E95-10535-00	BOLT, HEXAGON W/W DEEP RECESS	4	L(21.7")
6	90116-10069-00	BOLT, STUD	0	X(25.1")
7	95380-10600-00	NUT	0	X(25.1")
8	92990-10100-00	WASHER, SPRING	0	X(25.1")
9	92990-10600-00	WASHER, PLATE	0	X(25.1")
10	664-45371-01-00	TAB-TRIM	1	
11	90105-08M02-00	BOLT, FLANGE	1	
12	6L2-45214-00-00	COVER, WATER INLET 1	1	
13	6L2-45215-00-00	COVER, WATER INLET 2	1	
14	90151-05M05-00	SCREW, COUNTERSUNK	2	
15	90185-05002-00	NUT, NYLON	2	
16	6L2-45987-01-00	SPACER 1	1	
17	689-45997-00-00	SPACER 2	0	

CONTINUED ON NEXT FRAME >

LOWER CASING DRIVE 2



Ref No.	Part Number	Description	Qty	Remarks
18	92990-14200-00	WASHER, PLAIN	1	
19	90171-14013-00	NUT, CASTLE	1	
20	91490-30025-00	PIN. COTTER	1	
21	6FM-45941-00-00	PROPELLER (3X10-5/8"X6-3/4"-F)	0	UR
21	664-45949-02-00	PROPELLER (3X9-7/8"X13"-F)	0	UR
21	664-45947-01-00	PROPELLER (3X9-7/8"X11-1/4"-F)	0	UR
21	664-45945-00-00	PROPELLER (3X9-7/8"X10-1/2"-F)	0	UR
21	664-45943-01-00	PROPELLER (3X9-7/8"X8"-F)	0	UR
21	664-45941-01-00	PROPELLER (3X9-7/8"X9"-F)	0	UR
21	664-45972-00-00	PROPELLER (3X9-1/8"X12"-F)	0	UR
21	664-45952-00-00	PROPELLER (3X9-7/8"X14"-F)	0	UR
21	664-45954-01-00	PROPELLER (3X9-7/8"X12"-F)	0	UR
21	664-45970-00-00	PROPELLER (3X9-1/8"X13"-F)	0	UR
22	6J8-W4591-00-00	PROPELLER (3X10-5/8"X8-1/4"-F)	1	
23	6J8-45986-10-00	. .RING, DEFLECTOR	1	