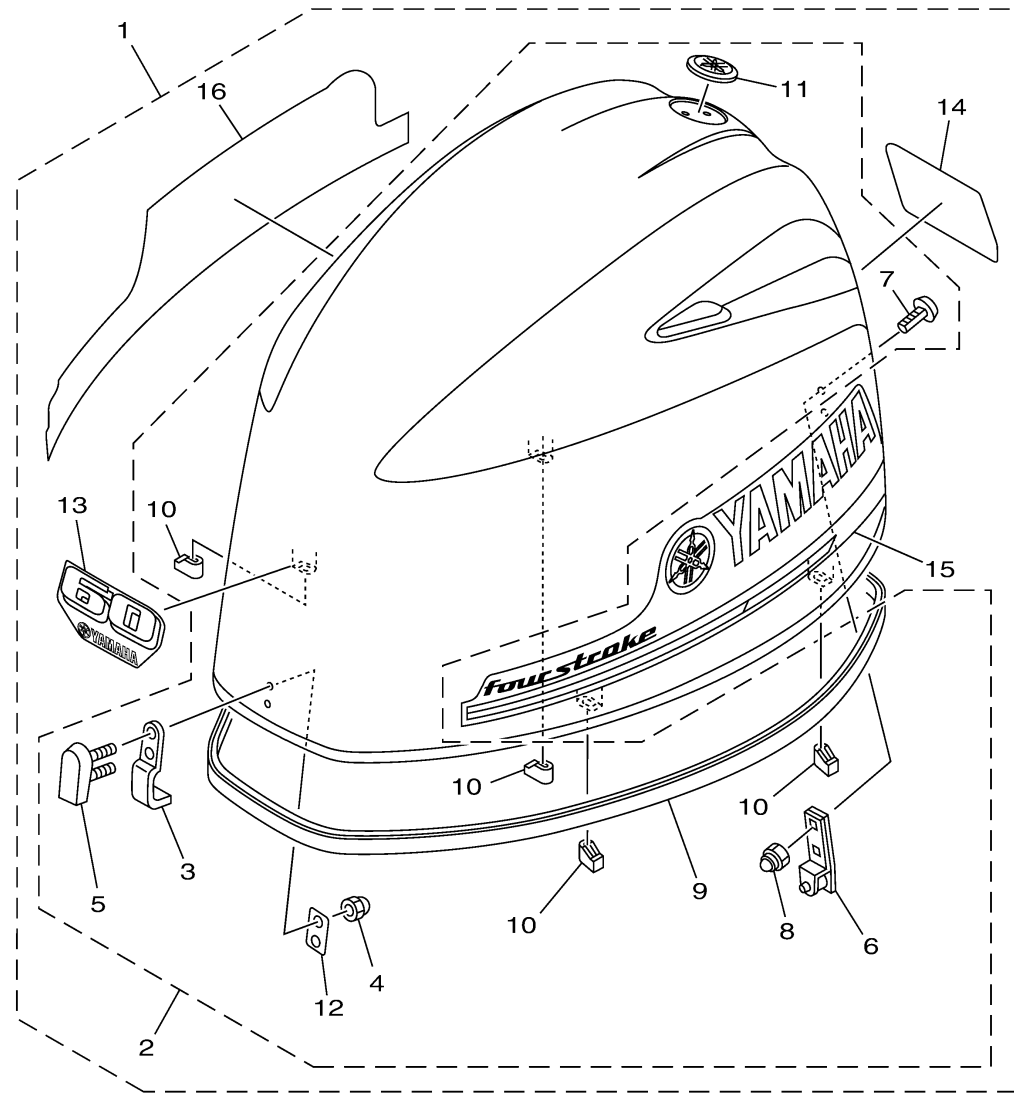


# TOP COWLING

| Ref No. | Part Number     | Description                | Qty | Remarks |
|---------|-----------------|----------------------------|-----|---------|
| 1       | 6C6-42610-31-00 | TOP COWLING ASSY           | 1   |         |
| 2       | 6CJ-4261A-01-00 | ..TOP COWLING W/O GRAPHICS | 1   |         |
| 3       | 6BG-42651-00-00 | ...HOOK                    | 1   |         |
| 4       | 95380-05800-00  | ...NUT                     | 2   |         |
| 5       | 6BG-42851-00-00 | ...COVER, CLAMP            | 1   |         |
| 6       | 6BG-42652-00-00 | ...HOOK                    | 1   |         |
| 7       | 90109-06047-00  | ...BOLT                    | 2   |         |
| 8       | 90185-06M05-00  | ...NUT, SELF-LOCKING       | 2   |         |
| 9       | 6CJ-42615-00-00 | ...SEAL                    | 1   |         |
| 10      | 6BG-42662-01-00 | ...DAMPER                  | 4   |         |
| 11      | 6AH-42697-10-00 | ...TUNING FORK MARK        | 1   |         |
| 12      | 6BG-42649-00-00 | ...HOLDER, CLAMP BAND      | 1   |         |
| 13      | 6C5-42677-10-00 | ..GRAPHIC, FRONT           | 1   |         |
| 14      | 6C6-42678-20-00 | ..GRAPHIC, REAR            | 1   |         |
| 15      | 6CJ-42675-00-00 | ..GRAPHIC, SIDE 1          | 1   |         |
| 16      | 6CJ-42676-00-00 | ..GRAPHIC, SIDE 2          | 1   |         |



6C6E100-R020