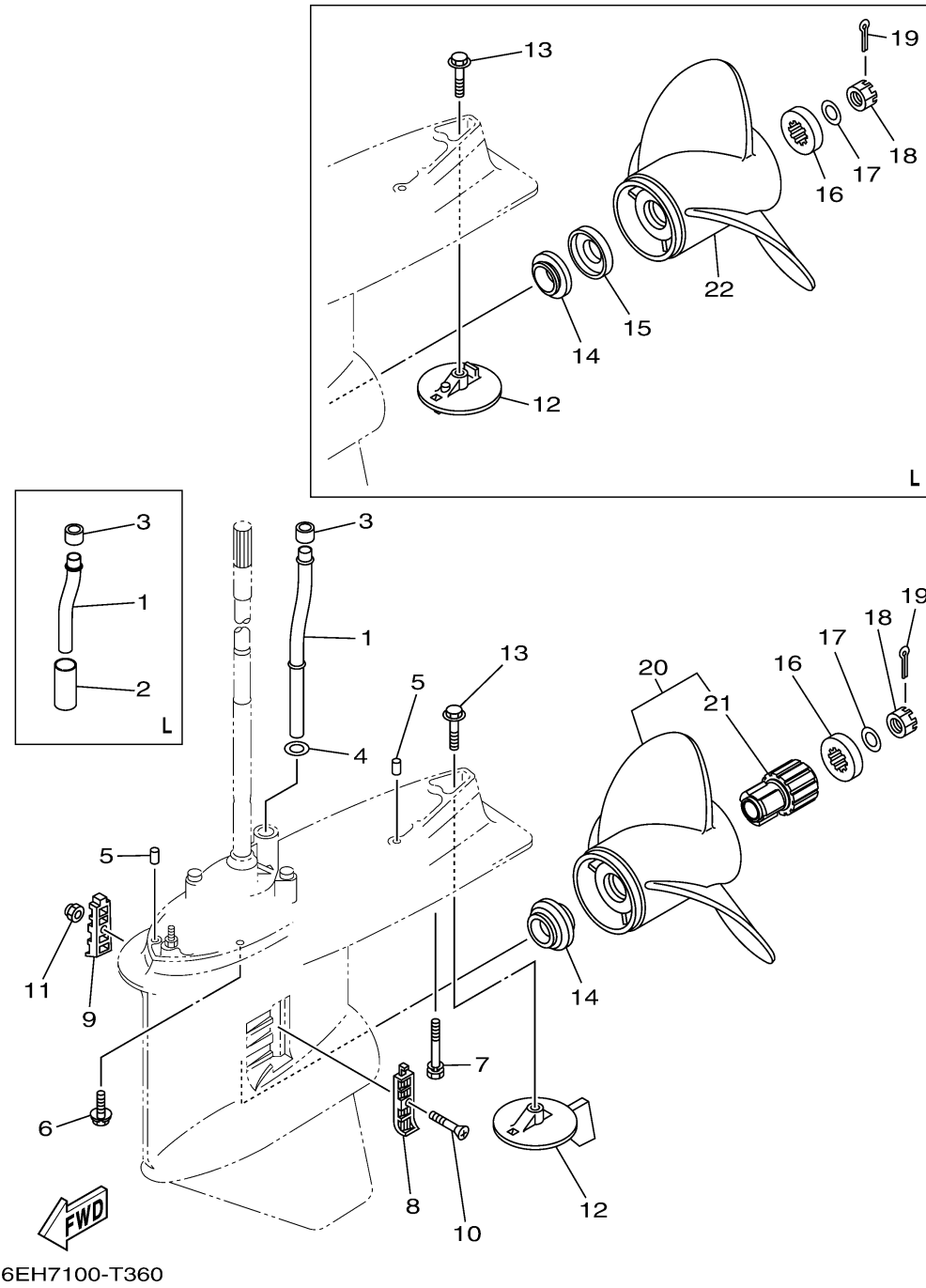


LOWER CASING DRIVE 2



Ref No.	Part Number	Description	Qty	Remarks
1	6DA-44361-00-00	TUBE, WATER 1	1	X(25.3")
1	6DA-44361-10-00	TUBE, WATER 1	0	L(20.3")
2	90445-23002-00	HOSE (L59)	0	L(20.3")
3	6E5-44365-01-00	DAMPER, WATER SEAL 1	1	
4	90202-16061-00	WASHER, PLATE	1	X(25.3")
5	93608-16M16-00	PIN, DOWEL	2	
6	97E95-10645-00	BOLT, HEXAGON W/W DEEP RECESS	6	
7	90119-10072-00	BOLT, WITH WASHER	1	
8	6J9-45214-00-00	COVER, WATER INLET 1	1	
9	6J9-45215-00-00	COVER, WATER INLET 2	1	
10	90152-05M08-00	SCREW, COUNTERSUNK	1	
11	90185-05002-00	.NUT, NYLON	1	
12	6CE-45373-00-00	ANODE	0	L(20.3")
12	6J9-45371-01-00	TAB-TRIM	1	X(25.3")
13	90105-10M00-00	BOLT, FLANGE	1	
14	63P-45987-00-00	SPACER 1	1	X(25.3")
14	60X-45987-10-00	SPACER 1	0	L(20.3")
15	60X-45995-00-00	SPACER 3	0	L(20.3")
16	688-45997-01-00	SPACER 2	1	
17	92990-18200-00	WASHER	1	

CONTINUED ON NEXT FRAME >

LOWER CASING DRIVE 2

Ref No.	Part Number	Description	Qty	Remarks
18	90171-18M04-00	NUT, CASTLE	1	
19	91490-40030-00	PIN. COTTER	1	
20	68F-45970-20-00	PROPELLER (3X14-1/2"X15"-M)	1	UR SDS PROP.
20	68F-45972-20-00	PROPELLER (3X14-1/4"X17"-M)	1	UR SDS PROP.
20	68F-45978-20-00	PROPELLER (3X14-1/4"X18"-M)	1	UR SDS PROP.
20	68F-45974-20-00	PROPELLER (3X13-3/4"X19"-M)	1	UR SDS PROP.
20	68F-45976-20-00	PROPELLER (3X13-3/4"X21"-M)	1	UR SDS PROP.
21	6CE-45C81-10-00	. .DAMPER RUBBER, PROPELLER 1	1	
22	6CB-45932-11-00	PROPELLER (3X15-1/8"X22"-T2)	0	UR
22	6CB-45974-11-00	PROPELLER (3X15-1/8"X23"-T2)	0	UR
22	6CB-45930-11-00	PROPELLER (3X15-1/8"X24"-T2)	0	UR

