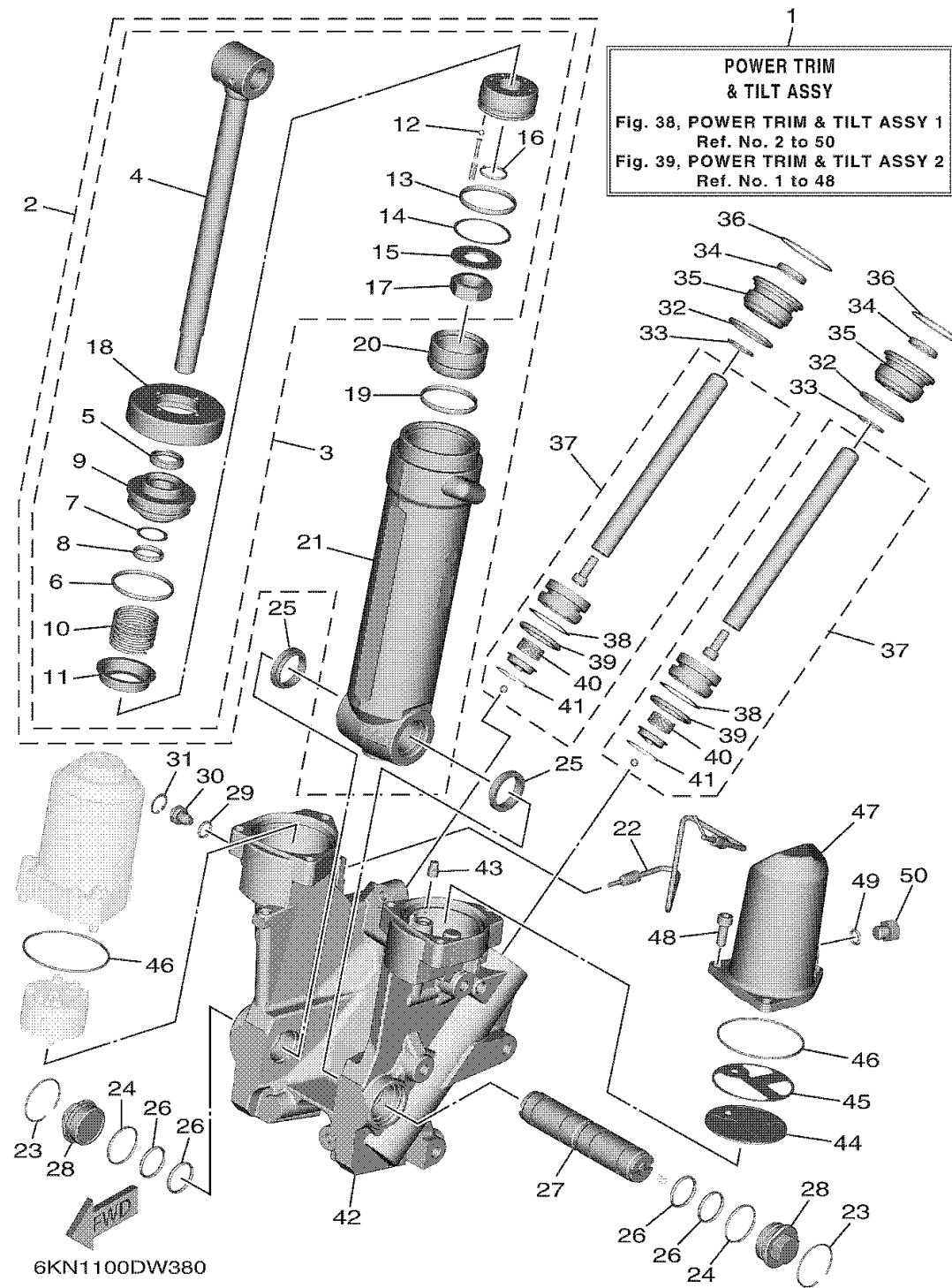


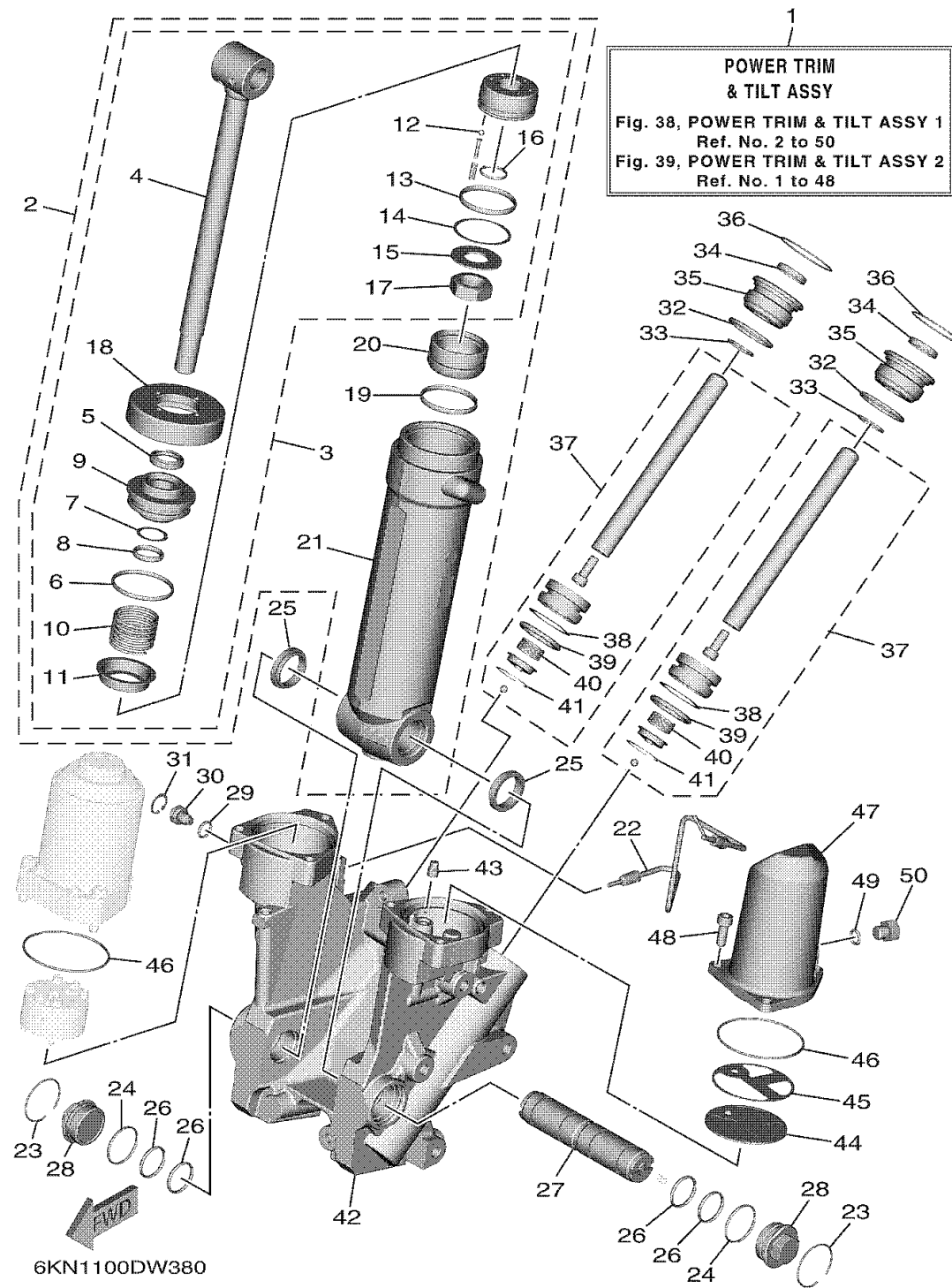
POWER TRIM TILT ASSY 1



Ref No.	Part Number	Description	Qty	Remarks
1	6KN-43800-00-00	POWER TRIM & TILT ASSY	1	
2	6GR-43840-00-00	POWER TILT ASSY	1	
3	6GR-43810-00-00	..TILT PISTON SUB ASSY	1	
4	6GR-43801-00-00	...ROD	1	
5	6GR-43812-00-00	...SEAL, DUST	1	
6	93210-49046-00	...O-RING	1	
7	6GR-43872-00-00	...RING, BACK UP	1	
8	6GR-43863-00-00	...O-RING	1	
9	6GR-43811-00-00	...SCREW, CYLINDER END	1	
10	69J-4384H-00-00	...SPRING	1	
11	6GR-4382E-00-00	...ADAPTOR 2	1	
12	93505-32038-00	...BALL	4	
13	93210-44006-00	...O-RING	1	
14	6GR-43871-00-00	...RING, BACK UP	1	
15	90201-18029-00	...WASHER, PLATE	1	
16	93210-18397-00	...O-RING	1	
17	6GR-43654-00-00	...NUT 1	1	
18	6GR-43827-00-00	...RING SET	1	
19	93210-44006-00	..O-RING	1	
20	6GR-43814-00-00	..PISTON, FREE	1	

CONTINUED ON NEXT FRAME >

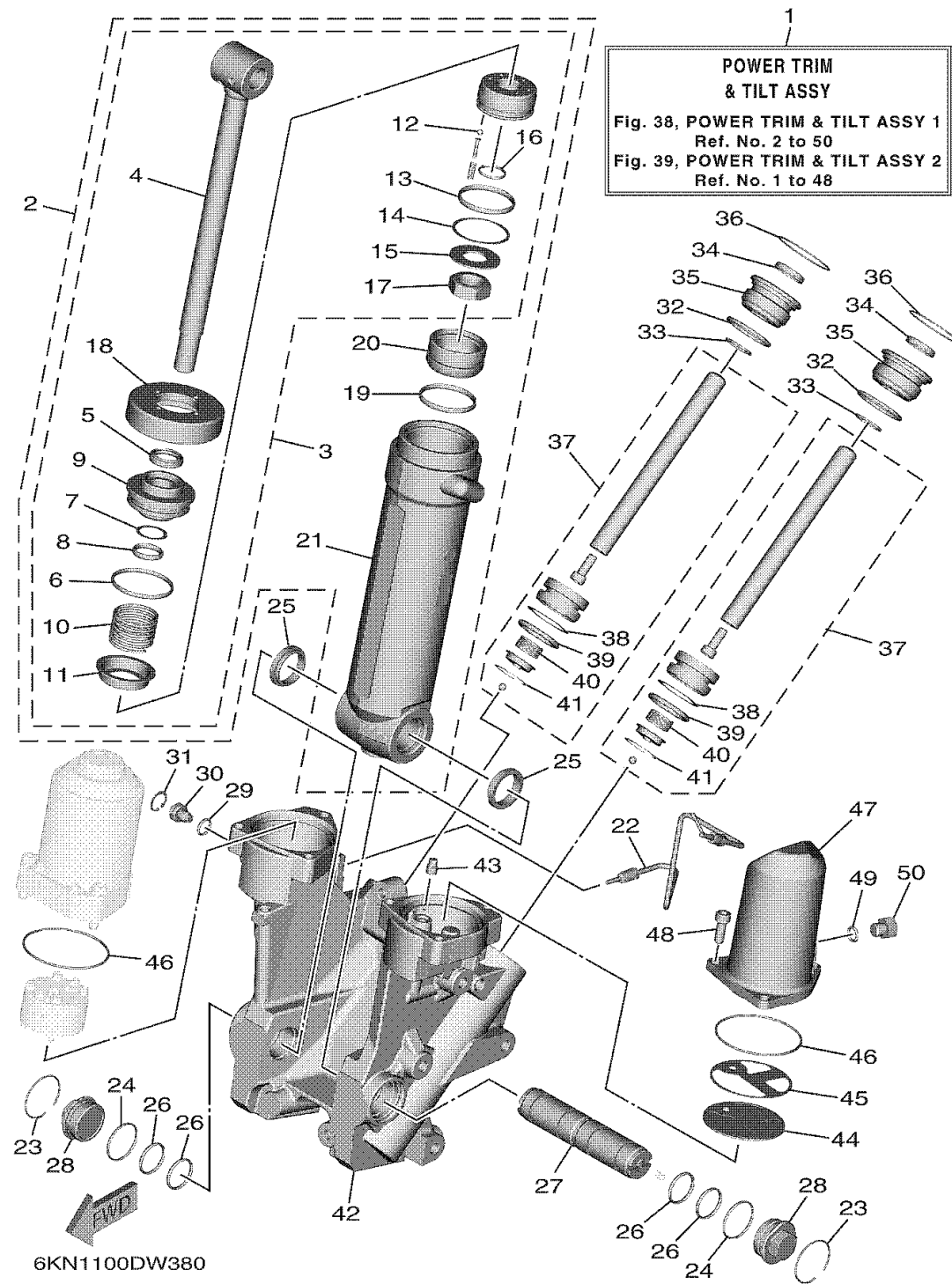
POWER TRIM TILT ASSY 1



Ref No.	Part Number	Description	Qty	Remarks
21	6GR-4380K-00-00	..CYLINDER, TILT SUB ASSY	1	
22	6GR-43835-00-00	PIPE	1	
23	93450-42110-00	CIRCLIP	2	
24	6GR-43862-00-00	O-RING	2	
25	6GR-4388F-00-00	SPACER	2	
26	6GR-43861-00-00	O-RING	4	
27	6GR-43818-00-00	PIN, LOWER SHOCK MOUNT	1	
28	6GR-22472-00-00	CAP, CASE	2	
29	93210-12327-00	O-RING	1	
30	6GR-43845-00-00	SCREW, MANUAL RELEASE	1	
31	61A-43876-01-00	RING, SNAP	1	
32	61A-43861-00-00	O-RING	2	
33	6D8-43863-00-00	O-RING	2	
34	63P-43812-20-00	SEAL, DUST	2	
35	61A-43821-02-00	SCREW, TRIM CYLINDER END	2	
36	6KN-25415-00-00	CIRCLIP	2	
37	6GR-43820-00-00	TRIM PISTON SUB ASSY	2	
38	61A-43874-00-00	..RING, BACK UP	1	
39	61A-43864-00-00	..O-RING	1	
40	61A-4384H-10-00	..SPRING	1	

CONTINUED ON NEXT FRAME >

POWER TRIM TILT ASSY 1



Ref No.	Part Number	Description	Qty	Remarks
41	61A-43875-10-00	.RING, SNAP	1	
42	6KN-4380L-00-00	HOUSING, TRIM & TILT SUB ASSY	1	
43	6GR-4388H-00-00	PLUG	1	
44	69J-43817-00-00	FILTER 2	1	
45	69J-4388F-00-00	SPACER	1	
46	93210-66001-00	O-RING	2	
47	6GR-43828-00-00	BODY, RESERVOIR	1	
48	69J-43888-00-00	BOLT, SOCKET	3	
49	93210-09165-00	.O-RING	1	
50	6EK-43829-00-00	PLUG, RESERVOIR	1	