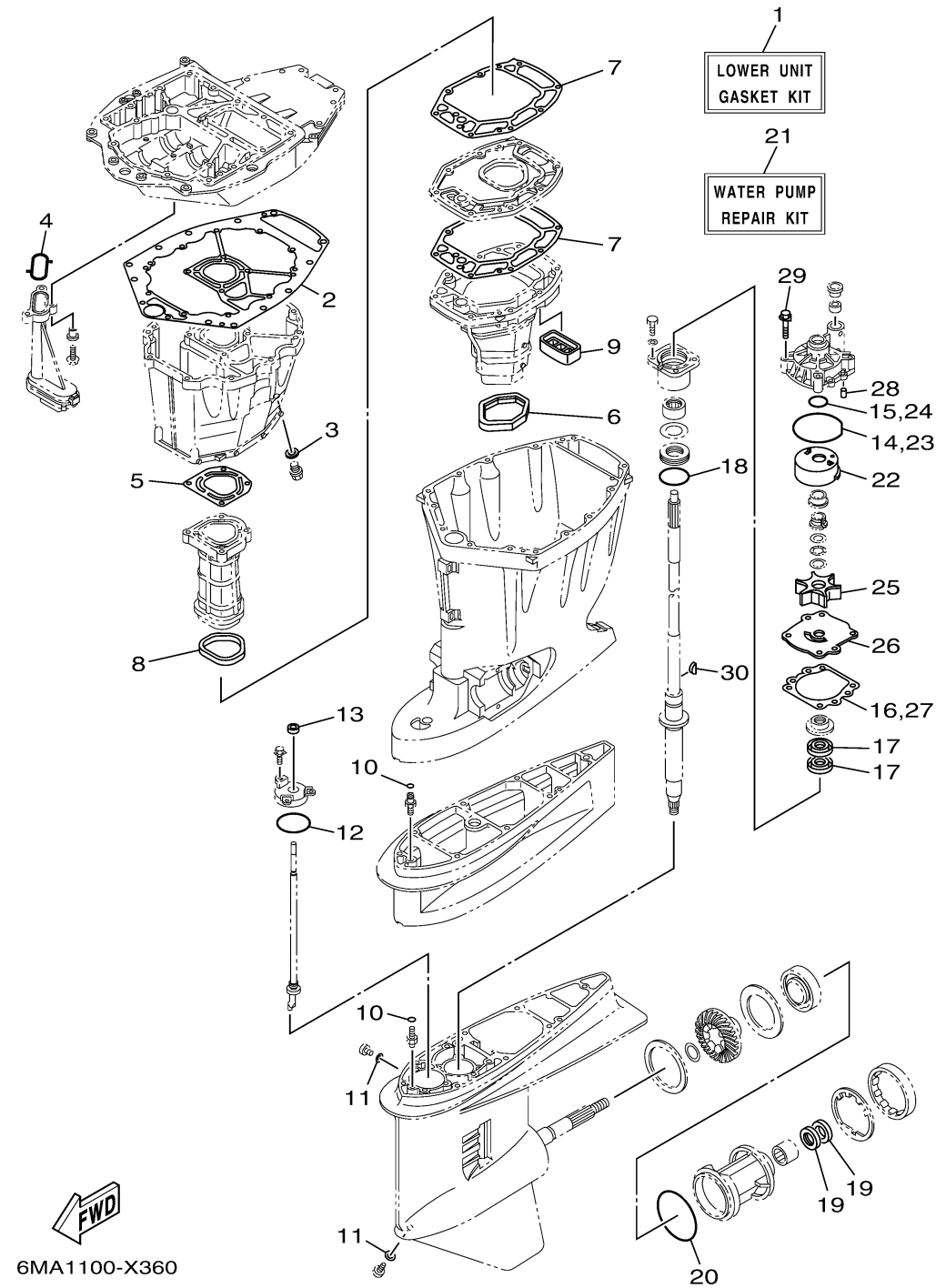
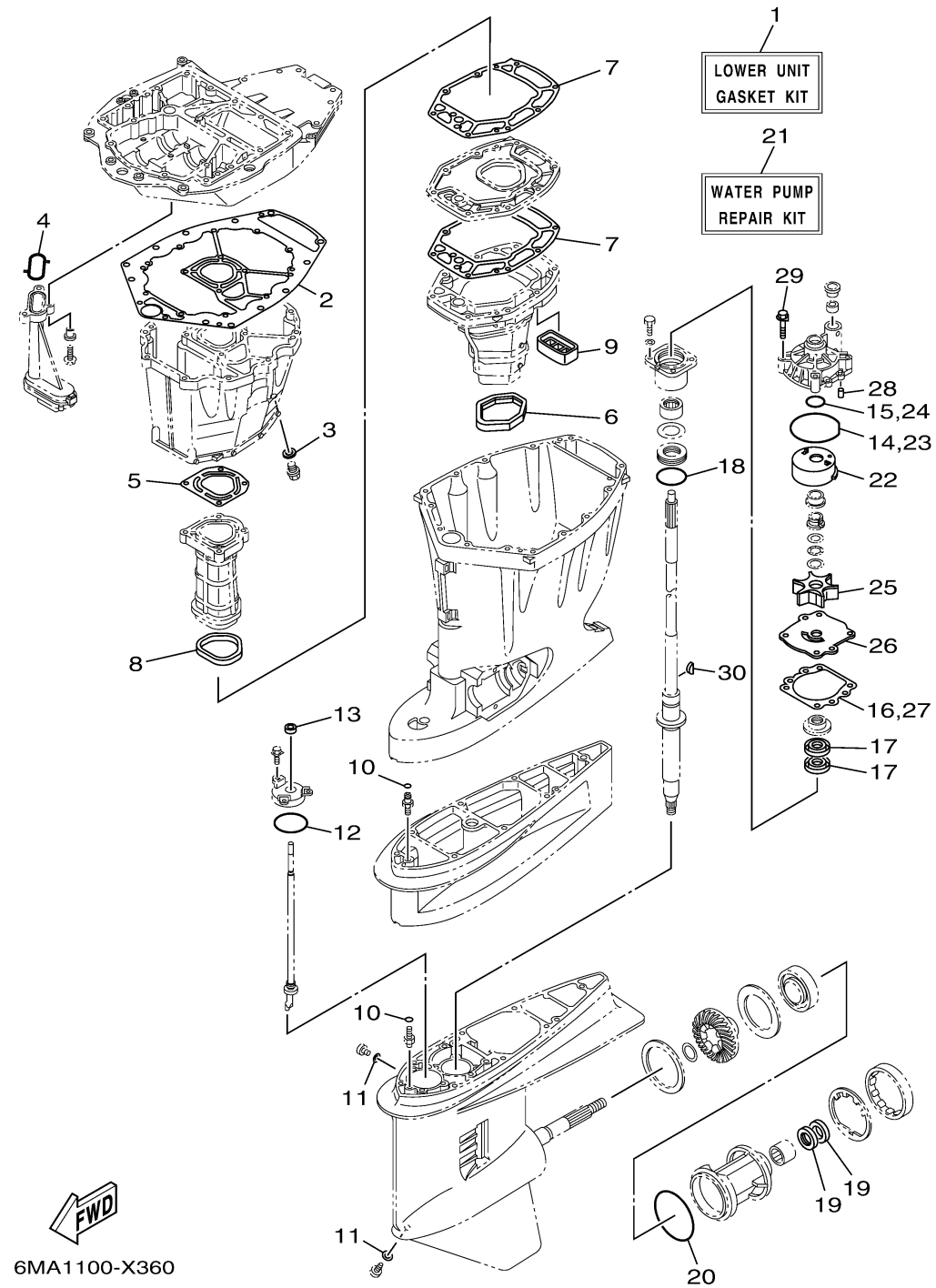


REPAIR KIT 2



Ref No.	Part Number	Description	Qty	Remarks
1	63P-W0001-22-00	LOWER UNIT GASKET KIT	1	EXCEPT JET-DRIVE
2	63P-15312-02-00	..GASKET, OIL PAN	1	
3	90430-14M09-00	..GASKET	1	
4	63P-13415-00-00	..SEAL, OIL STRAINER	1	
5	63P-41133-A0-00	..GASKET, EXHAUST MANIFOLD 1	1	
6	69J-45123-00-00	..GASKET, MUFFLER	1	
7	63P-41134-A1-00	..GASKET, EXHAUST MANIFOLD	2	
8	63P-41138-00-00	..SEAL, EXT. 1	1	
9	69J-45127-01-00	..SEAL	1	
10	93210-07003-00	..O-RING	2	
11	90430-08003-00	..GASKET	2	
12	93210-58144-00	..O-RING	1	
13	93106-09014-00	..OIL SEAL	1	
14	93210-86M38-00	..O-RING	1	
15	93210-37160-00	..O-RING	1	
16	6E5-44315-A0-00	..GASKET, WATER PUMP	1	
17	93101-28M16-00	..OIL SEAL	2	
18	93210-55M14-00	..O-RING	1	
19	93101-30M17-00	..OIL SEAL	2	
20	93210-97M55-00	..O-RING	1	

CONTINUED ON NEXT FRAME >



+: EXCEPT FOR JET DRIVE(F150JC)

REPAIR KIT 2

Ref No.	Part Number	Description	Qty	Remarks
21	61A-W0078-A4-00	WATER PUMP REPAIR KIT	1	EXCEPT JET-DRIVE
22	61A-44322-02-00	..INSERT, CARTRIDGE	1	
23	93210-86M38-00	..O-RING	1	
24	93210-37160-00	..O-RING	1	
25	6E5-44352-01-00	..IMPELLER	1	
26	6G5-44323-01-00	..OUTER PLATE, CARTRIDGE	1	
27	6E5-44315-A0-00	..GASKET, WATER PUMP	1	
28	93606-12019-00	..PIN, DOWEL	2	
29	90119-08191-00	..BOLT, WITH WASHER	4	
30	90280-04M05-00	..KEY, WOODRUFF	1	