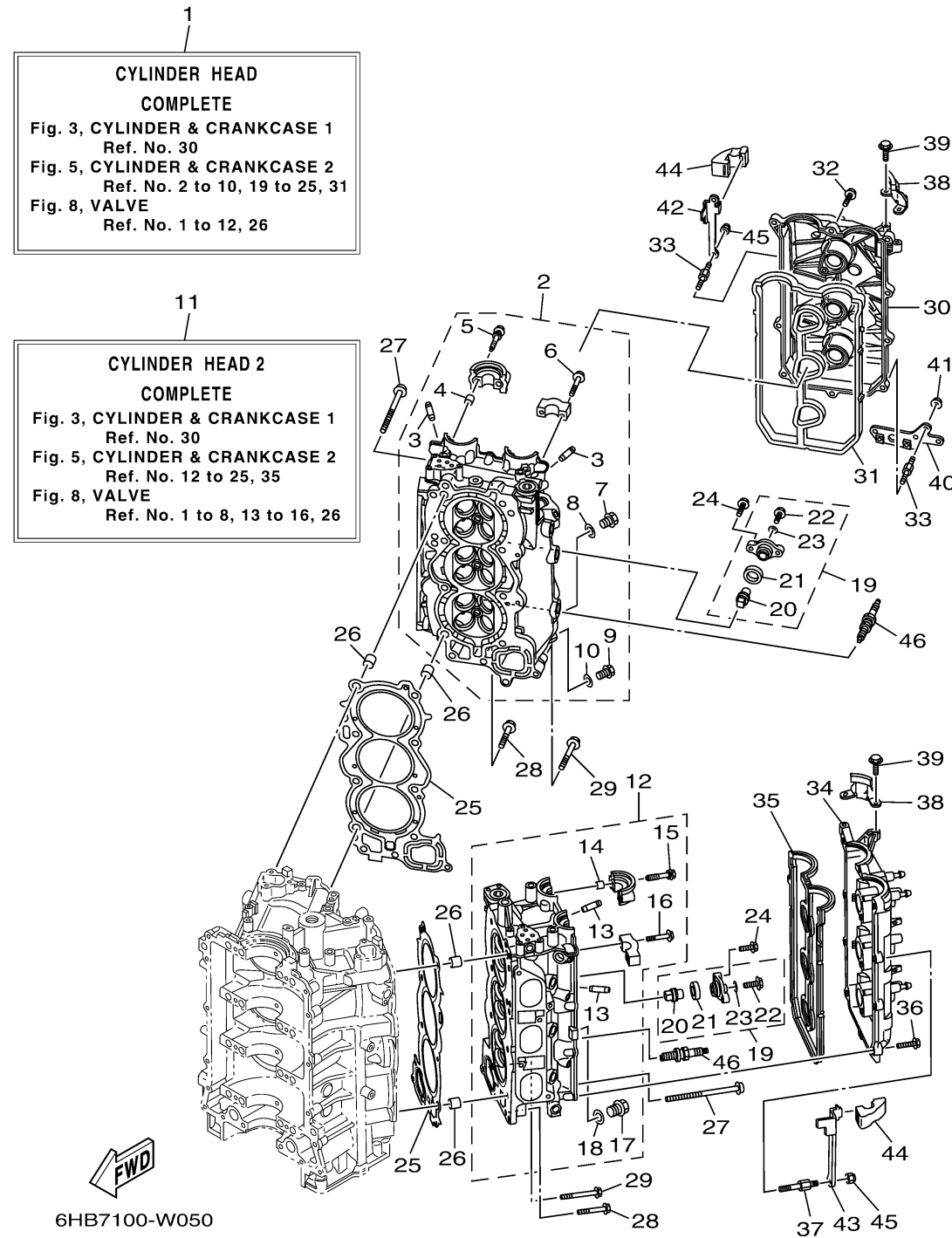


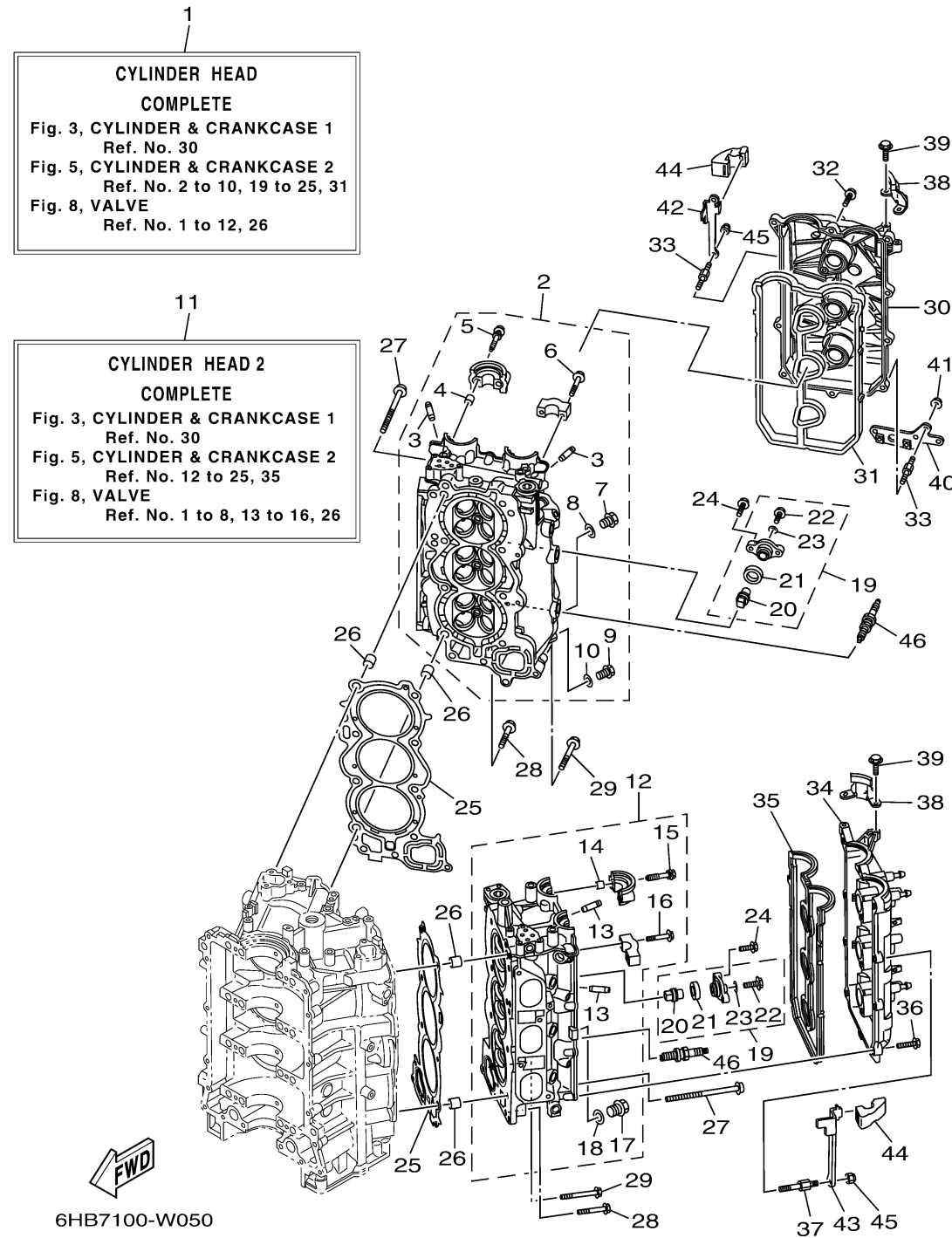
# CYLINDER CRANKCASE 2



Ref No.	Part Number	Description	Qty	Remarks
1	6KA-W009A-01-9S	CYLINDER HEAD COMPLETE	1	
2	6CE-11110-12-9S	CYLINDER HEAD ASSY	1	
3	6S5-11133-10-00	..GUIDE, VALVE 1	12	
4	91809-08006-00	..PIN, DOWEL	4	
5	90119-07001-00	..BOLT, WITH WASHER	4	
6	90119-07234-00	..BOLT, WITH WASHER	12	
7	90340-18M09-00	..PLUG, STRAIGHT SCREW	1	
8	90201-186F1-00	..WASHER, PLATE	1	
9	90340-14M06-00	..PLUG, STRAIGHT SCREW	1	
10	90430-14115-00	..GASKET	1	
11	6KA-W009C-01-9S	CYLINDER HEAD 2 COMPLETE	1	
12	6CE-11120-12-9S	CYLINDER HEAD ASSY 2	1	
13	6S5-11133-10-00	..GUIDE, VALVE 1	12	
14	91809-08006-00	..PIN, DOWEL	4	
15	90119-07001-00	..BOLT, WITH WASHER	4	
16	90119-07234-00	..BOLT, WITH WASHER	12	
17	90340-18M09-00	..PLUG, STRAIGHT SCREW	1	
18	90201-186F1-00	..WASHER, PLATE	1	
19	6ML-11301-00-00	ANODE COVER ASSY	8	
20	6ML-11325-00-00	..ANODE	1	

CONTINUED ON NEXT FRAME >

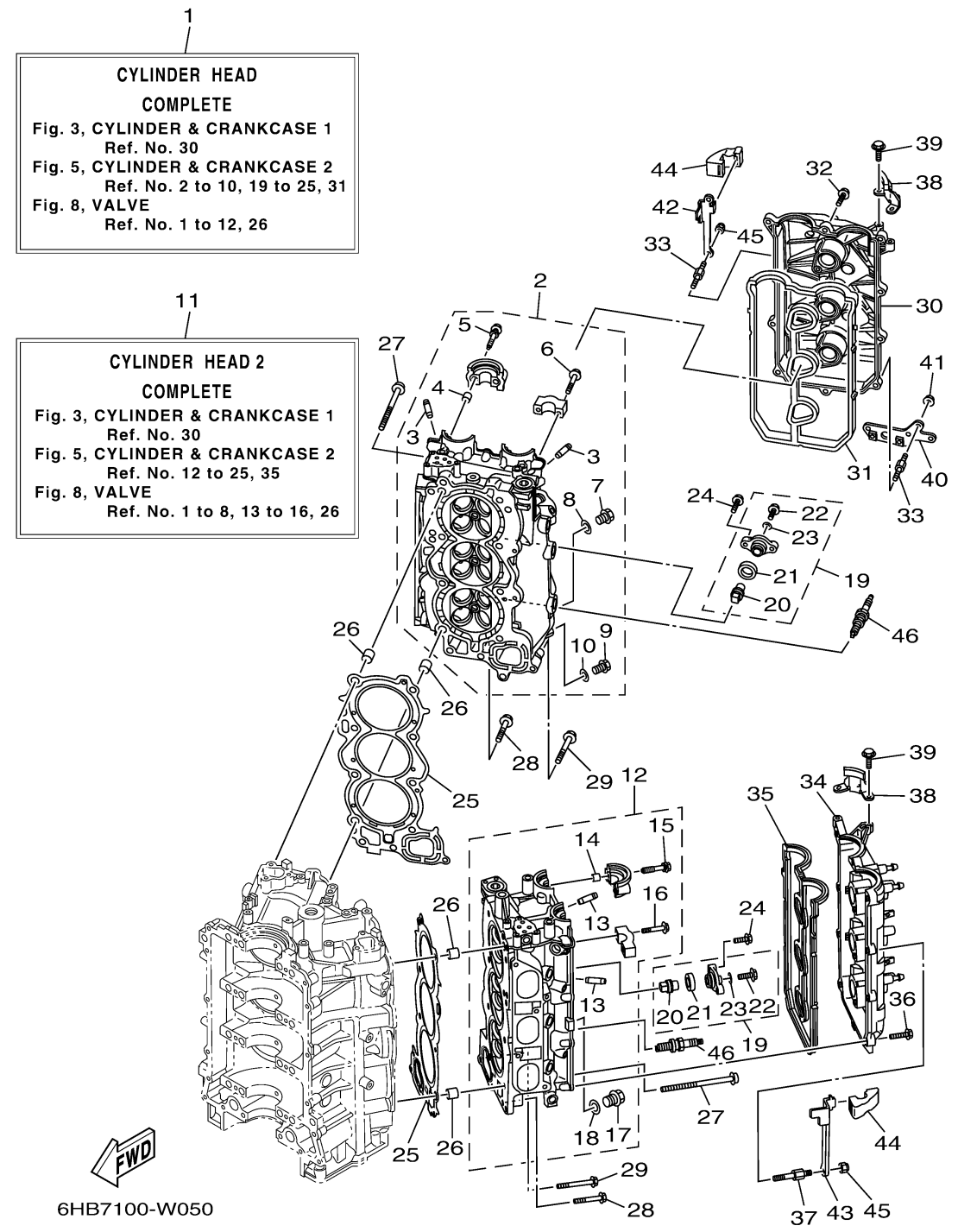
# CYLINDER CRANKCASE 2



Ref No.	Part Number	Description	Qty	Remarks
21	67F-11328-01-00	.GROMMET, ANODE	1	
22	90105-06M07-00	.BOLT, FLANGE	1	
23	90430-06M03-00	.GASKET	1	
24	95D95-08025-00	BOLT, FLANGE DEEP RECESS	16	
25	6CB-11181-00-00	.GASKET, CYLINDER HEAD 1	2	
26	90387-11005-00	COLLAR	4	
27	90149-11001-00	SCREW	16	
28	90105-08175-00	BOLT, FLANGE	4	
29	90105-08220-00	BOLT, FLANGE	2	
30	6CB-11191-02-00	COVER, CYLINDER HEAD 1	1	
31	6CB-11193-00-00	.GASKET, HEAD COVER 1	1	
32	95D95-06030-00	BOLT, FLANGE DEEP RECESS	9	
33	90109-06277-00	BOLT	4	
34	6CB-11192-02-00	COVER, CYLINDER HEAD 2	1	
35	6CB-11194-00-00	.GASKET, HEAD COVER 2	1	
36	95D95-06030-00	BOLT, FLANGE DEEP RECESS	11	
37	90109-06277-00	BOLT	2	
38	6AW-15142-00-00	GUIDE 1	2	
39	95D95-06014-00	BOLT, FLANGE DEEP RECESS	4	
40	6CB-2134V-00-00	BRACKET	1	

CONTINUED ON NEXT FRAME >

# CYLINDER CRANKCASE 2



Ref No.	Part Number	Description	Qty	Remarks
41	90179-06M28-00	NUT	2	
42	6KW-11998-00-00	BRACKET 1	1	
43	6KW-11999-00-00	BRACKET 2	1	
44	6KW-42662-00-00	DAMPER	2	
45	90185-06M07-00	NUT, SELF-LOCKING	4	
46	LFR-6A110-00-00	PLUG, SPARK (NGK LFR6A-11)	6	