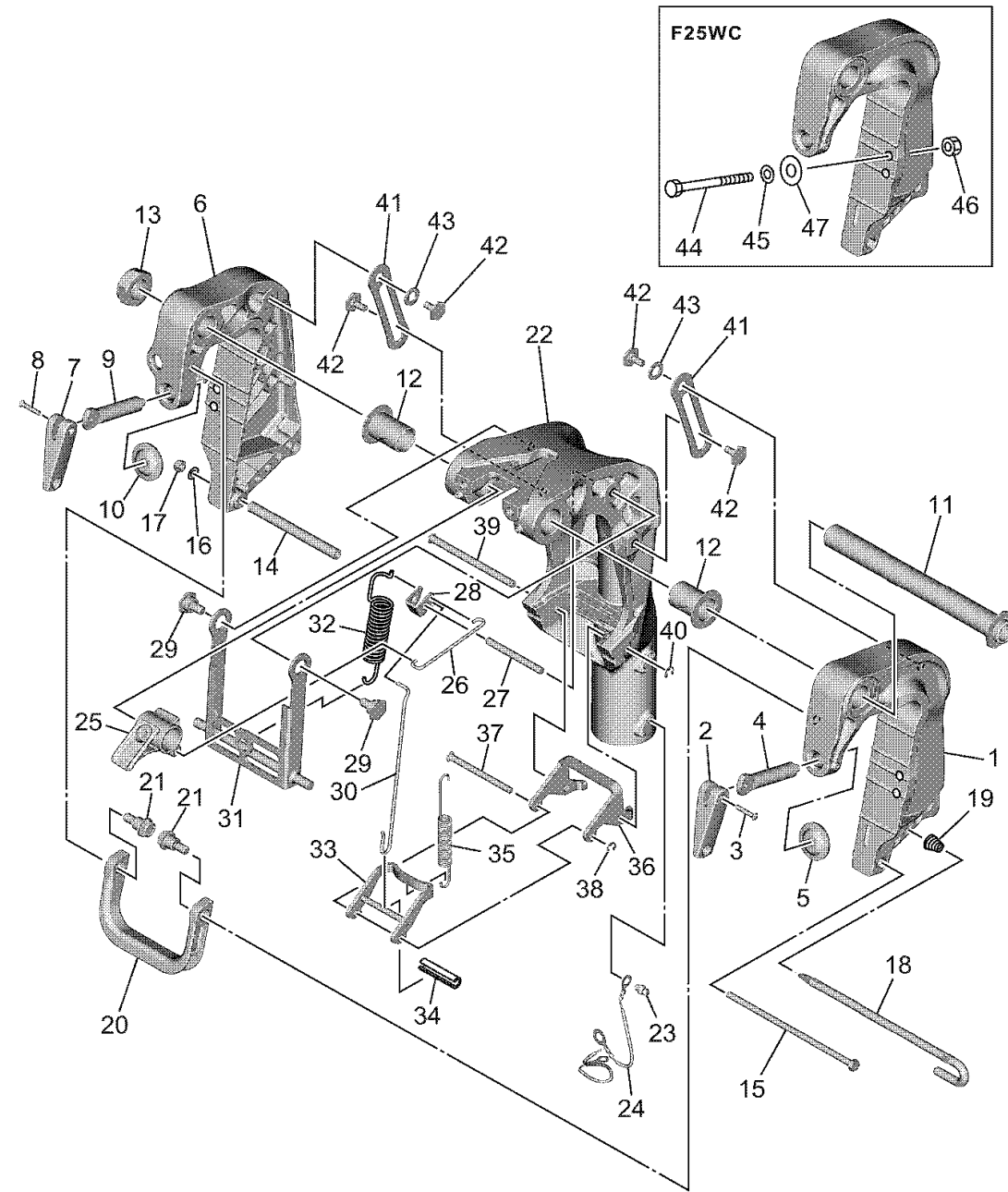


6FM810DDX280

BRACKET 1

Ref No.	Part Number	Description	Qty	Remarks
1	6FM-43111-00-CH	BRACKET, CLAMP 1	1	
2	6E0-43118-01-00	HANDLE, TRANSOM CLAMP	1	
3	90243-04M01-00	PIN	1	
4	6E7-43116-00-00	SCREW, TRANSOM CLAMP	1	
5	648-43114-01-00	PAD, TRANSOM CLAMP	1	
6	6FM-43112-00-CH	BRACKET, CLAMP 2	1	
7	6E0-43118-01-00	HANDLE, TRANSOM CLAMP	1	
8	90243-04M01-00	PIN	1	
9	6E7-43116-00-00	SCREW, TRANSOM CLAMP	1	
10	648-43114-01-00	PAD, TRANSOM CLAMP	1	
11	6FM-43131-00-00	BOLT, CLAMP BRACKET	1	
11	6FM-43131-10-00	BOLT, CLAMP BRACKET	0	
12	90386-22MA4-00	BUSH	2	
13	90185-22M11-00	NUT, SELF-LOCKING	1	
14	90387-06369-00	COLLAR	1	
15	90101-06M18-00	BOLT	1	
16	92995-06600-00	WASHER	1	
17	95380-06700-00	NUT	1	
18	6L2-43160-01-00	TILT ROD ASSY	1	
19	90502-10M07-00	SPRING, CONICAL	1	

CONTINUED ON NEXT FRAME >

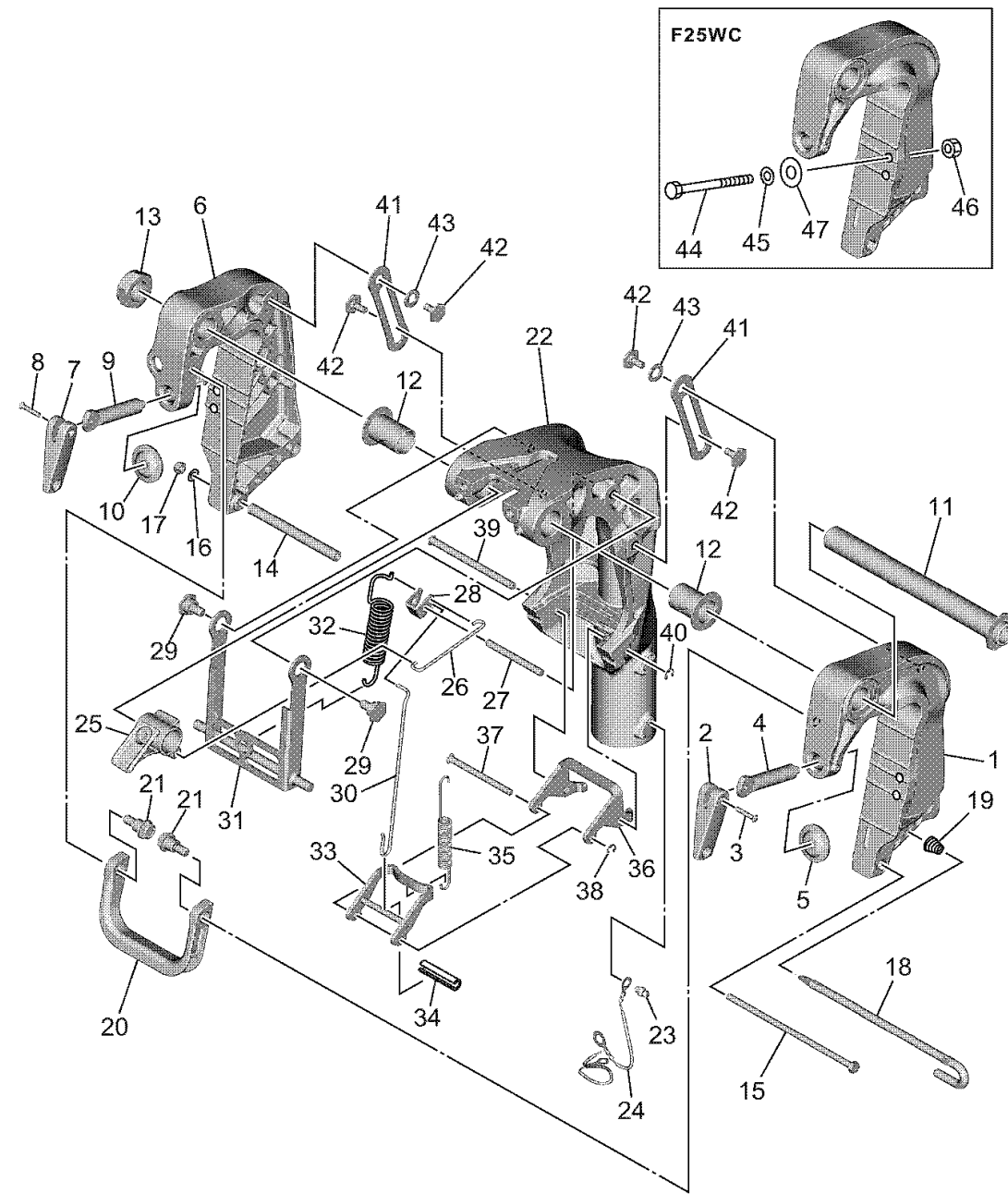


6FM810DDX280

BRACKET 1

Ref No.	Part Number	Description	Qty	Remarks
20	6FM-42731-00-00	CARRYING HANDLE	1	
21	90109-08043-00	BOLT	2	
22	6FM-43311-00-CH	BRACKET, SWIVEL 1	1	S(16.7")
22	6FM-43311-10-CH	BRACKET, SWIVEL 1	0	L(21.7")
23	93700-06004-00	NIPPLE, GREASE	1	
24	6FM-82127-00-00	WIRE, LEAD 2	1	
25	6FM-43631-00-00	LEVER, TILT	1	
26	6FM-43616-00-00	ROD, TILT LOCK	1	
27	6FM-43646-00-00	SHAFT, LEVER	1	
28	6FM-43641-00-00	LEVER, TILT	1	
29	90109-08M87-00	BOLT	2	
30	6FM-43617-00-00	ROD, TILT LOCK	1	
31	6FM-43350-00-00	RECEIVER ASSY	1	
32	6FM-43656-00-00	SPRING, REVERSE LOCK 1	1	
33	6FM-43624-00-00	PLATE, TILT LOCK	1	
34	90387-06321-00	COLLAR	1	
35	6FM-43656-10-00	SPRING, REVERSE LOCK 1	1	
36	6FM-43613-00-00	ARM, TILT LOCK	1	
37	6L2-43336-10-00	PIN	1	
38	99080-05600-00	CIRCLIP	1	

CONTINUED ON NEXT FRAME >



6FM810DDX280

BRACKET 1

Ref No.	Part Number	Description	Qty	Remarks
39	6J8-43611-01-00	SHAFT, TILT LOCK	1	
40	99080-05600-00	CIRCLIP	1	
41	6FM-43627-00-00	STOPPER	2	
42	90109-06M84-00	BOLT	4	
43	90206-10M24-00	WASHER, WAVE	2	
44	90101-08M88-00	BOLT	0	
45	92990-08600-00	WASHER, PLATE	0	
46	90185-08057-00	NUT, SELF-LOCKING	0	
47	90201-08MA4-00	WASHER, PLATE	0	