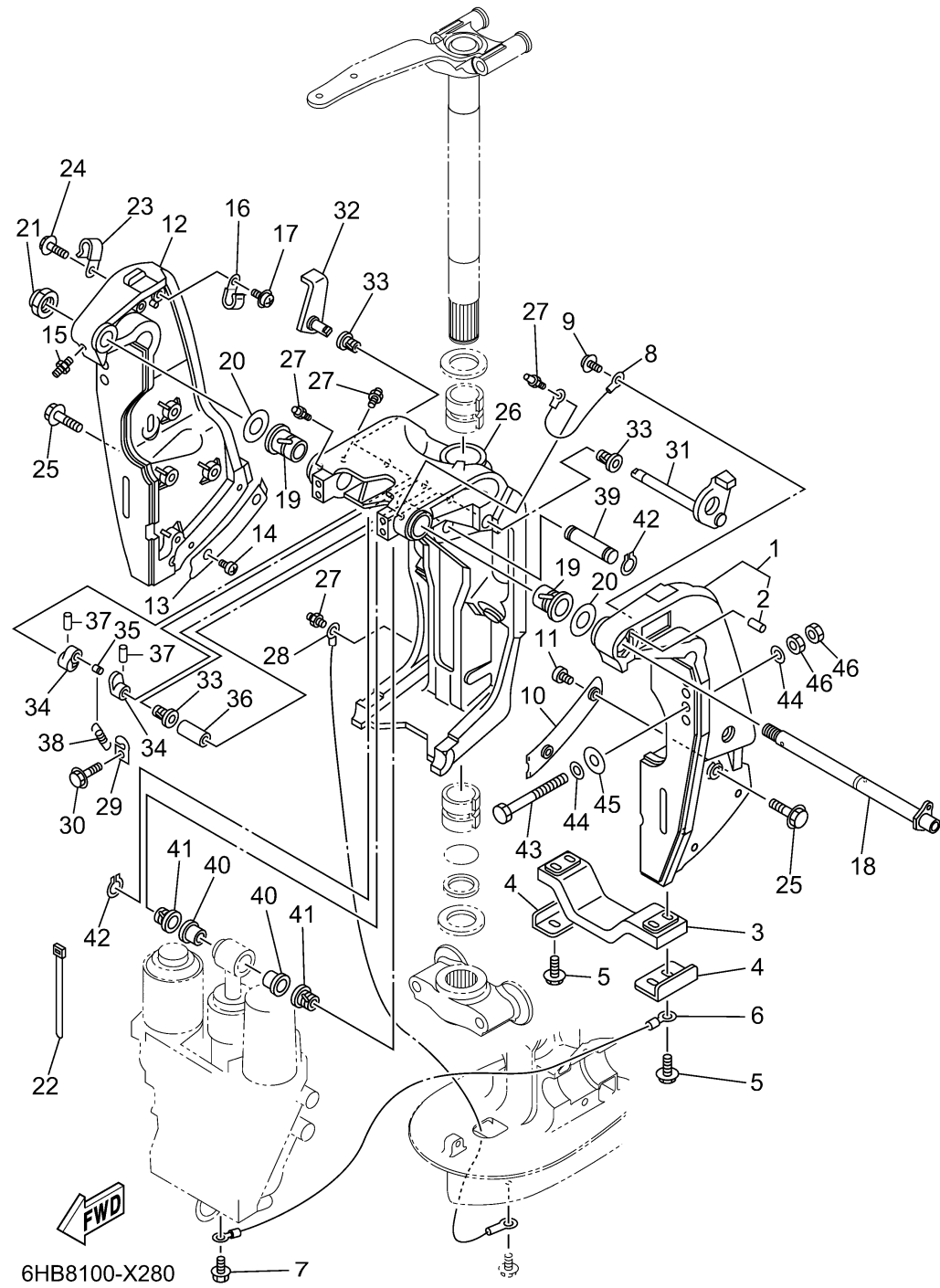


# BRACKET 1

Ref No.	Part Number	Description	Qty	Remarks
1	69J-43111-11-8D	BRACKET, CLAMP 1	1	TILT LIMIT(GRAY)
1	69J-43111-11-CE	BRACKET, CLAMP 1	0	TILT LIMIT(WHITE)
2	93606-19002-00	. .PIN, DOWEL	1	
3	6G5-45251-02-00	ANODE	1	
4	6G5-44526-00-00	PLATE	2	
5	97E95-06525-00	BOLT, HEXAGON W/W DEEP RECESS	4	
6	6H1-82148-00-00	WIRE, LEAD 4	1	
7	97E95-06510-00	BOLT, HEXAGON W/W DEEP RECESS	1	
8	6E5-82148-00-00	WIRE, LEAD 4	1	
9	97985-06212-00	SCREW, WITH WASHER	1	
10	61A-43132-01-00	WASHER, FRICTION	1	
11	97885-06010-00	SCREW, PAN HEAD	2	
12	69J-43112-03-8D	BRACKET, CLAMP 2	1	GRAY
12	69J-43112-03-CE	BRACKET, CLAMP 2	0	WHITE
13	61A-43133-01-00	WASHER,FRICTION	1	
14	97885-06010-00	SCREW, PAN HEAD	2	
15	93700-06002-00	NIPPLE, GREASE	1	
16	90465-08M83-00	CLAMP	1	
17	97985-06212-00	SCREW, WITH WASHER	1	
18	6R3-43131-30-00	BOLT, CLAMP BRACKET	1	FOR TILT LIMIT

CONTINUED ON NEXT FRAME >

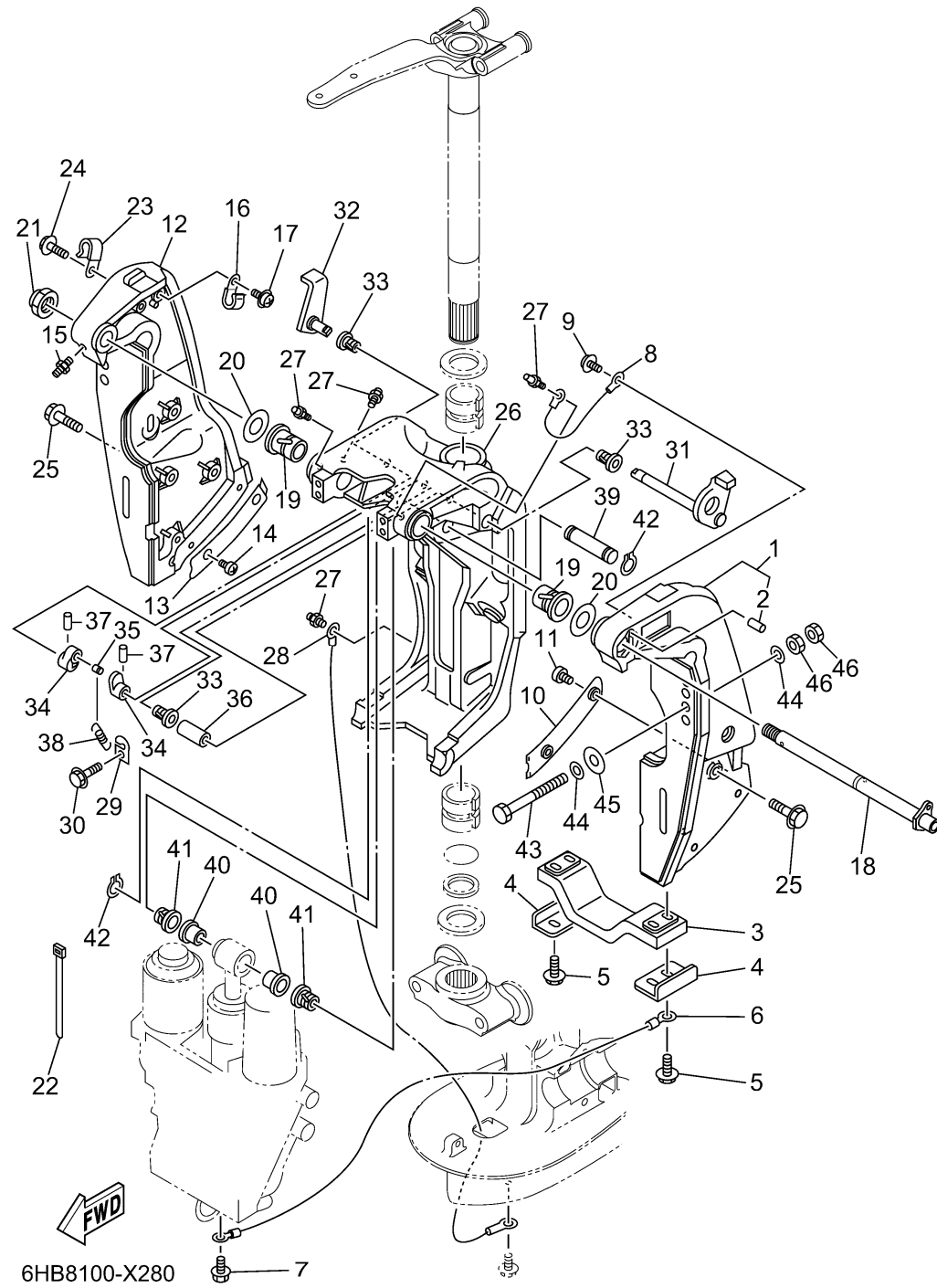
# BRACKET 1



Ref No.	Part Number	Description	Qty	Remarks
19	90386-25M31-00	BUSH	2	
20	90201-26M59-00	WASHER, PLATE	2	
21	90185-22M11-00	NUT, SELF-LOCKING	1	
22	90465-11M10-00	CLAMP	4	
23	90465-08M83-00	CLAMP	1	
24	97585-06510-00	BOLT, WITH WASHER	1	
25	90119-10024-00	BOLT, WITH WASHER	8	
26	61A-43311-22-8D	BRACKET, SWIVEL 1	1	GRAY
26	61A-43311-22-CE	BRACKET, SWIVEL 1	0	WHITE
27	93700-06002-00	NIPPLE, GREASE	5	
28	69J-82147-00-00	WIRE, LEAD 5	1	
29	6G5-43144-00-00	HOOK, SPRING	1	
30	97E95-06512-00	BOLT, HEXAGON W/W DEEP RECESS	1	
31	61A-43181-01-00	LEVER, TILT STOP 1	1	
32	6G5-43185-02-00	LEVER, TILT STOP 2	1	
33	90386-10M16-00	BUSH	3	
34	6G5-43148-00-00	COLLAR, DISTANCE	2	
35	90249-06M19-00	PIN	1	
36	90387-10M05-00	COLLAR	1	
37	91690-30020-00	PIN, SPRING	2	

CONTINUED ON NEXT FRAME >

# BRACKET 1



Ref No.	Part Number	Description	Qty	Remarks
38	90506-16003-00	SPRING, TENSION	1	
39	6E5-43126-10-00	PIN, UPPER SHOCK MOUNT	1	
40	90386-18M63-00	BUSH	2	
41	90386-18M14-00	BUSH	2	
42	93410-18M05-00	CIRCLIP	2	
43	90101-12065-00	BOLT (L:130MM)	2	UR
43	90101-12066-00	BOLT (L:150MM)	2	UR
44	90201-13M01-00	WASHER, PLATE	8	
45	90201-12426-00	WASHER, PLATE	4	
46	95380-12600-00	NUT	8	