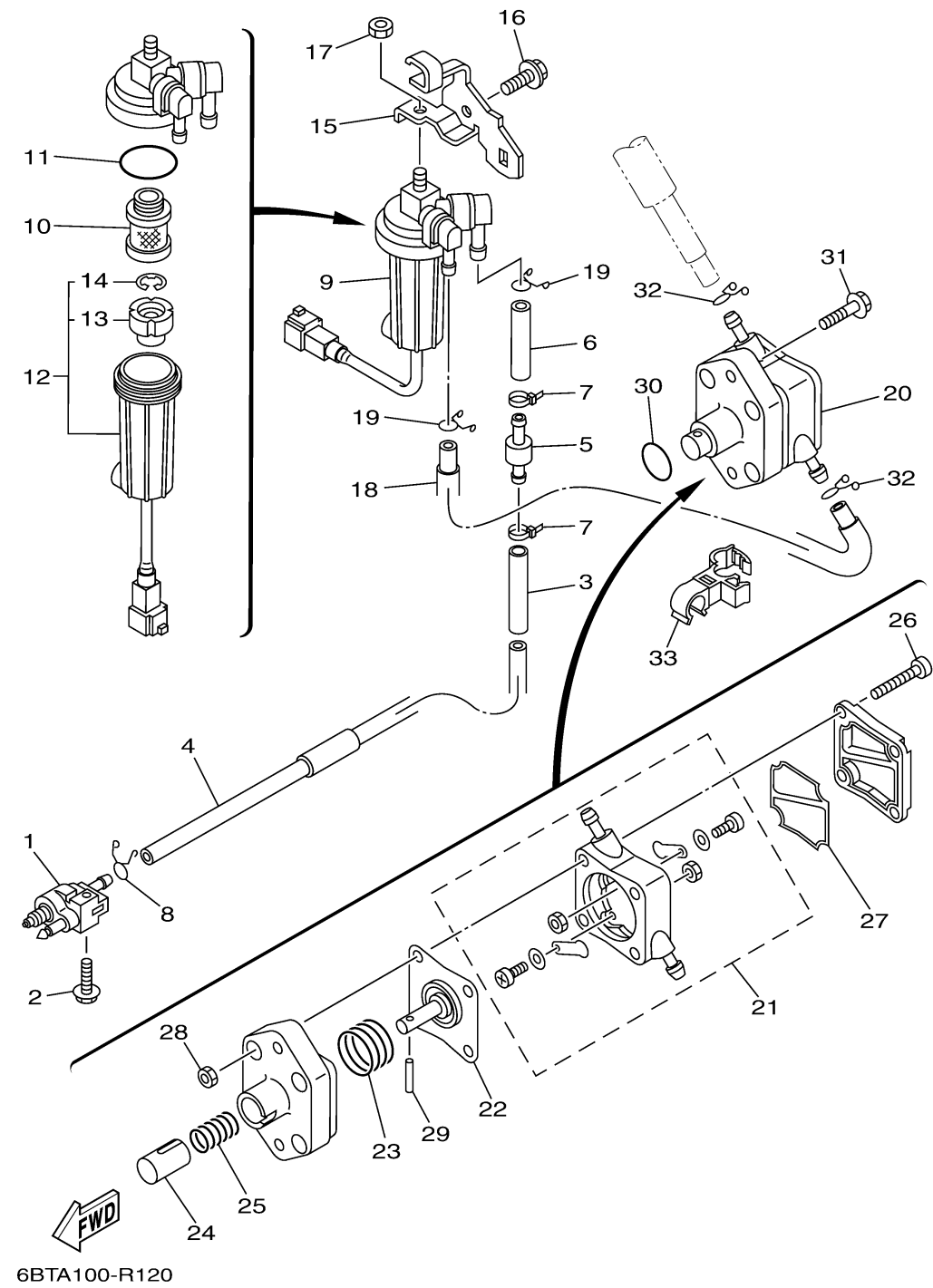


# FUEL

Ref No.	Part Number	Description	Qty	Remarks
1	6G1-24304-11-00	FUEL PIPE JOINT COMP. 1	1	
2	97E95-06525-00	BOLT, HEXAGON W/W DEEP RECESS	1	
3	90445-14020-00	HOSE (L65)	1	
4	6BG-24313-10-00	PIPE 3	1	
5	67F-24377-00-00	PIPE, JOINT 2	1	
6	90445-13020-00	HOSE (L40)	1	
7	90465-11M10-00	CLAMP	2	
8	90467-09M17-00	CLIP	1	
9	6D8-24560-01-00	FILTER ASSY	1	
10	6D8-24563-00-00	. .ELEMENT, FILTER	1	
11	6D8-24564-00-00	. .GASKET	1	
12	6D8-24562-00-00	. .CUP, FILTER	1	
13	6D8-24469-00-00	. . .FLOAT, WATER LEVEL	1	
14	6D8-24519-00-00	. . .CLIP	1	
15	6BG-24566-01-00	BRACKET, FILTER	1	
16	95D95-08016-00	BOLT, FLANGE DEEP RECESS	1	
17	95380-08600-00	NUT	1	
18	6BG-24311-11-00	PIPE, FUEL 1	1	
19	90467-11M08-00	CLIP	2	
20	6C5-24410-01-00	FUEL PUMP ASSY	1	

CONTINUED ON NEXT FRAME >



# FUEL

Ref No.	Part Number	Description	Qty	Remarks
21	6C5-24415-00-00	..BODY 4	1	
22	62Y-24411-03-00	..DIAPHRAGM	1	
23	62Y-24423-00-00	..SPRING, DIAPHRAGM	1	
24	62Y-13131-00-00	..PLUNGER	1	
25	62Y-24454-00-00	..SPRING	1	
26	62Y-24444-01-00	..SCREW	4	
27	6C5-24471-01-00	..DIAPHRAGM	1	
28	95380-05600-00	..NUT	4	
29	62Y-24374-01-00	..PIN	1	
30	93210-24M79-00	..O-RING	1	
31	97E95-06530-00	BOLT, HEXAGON W/W DEEP RECESS	2	
32	90467-10M04-00	CLIP	2	
33	90464-12012-00	CLAMP	1	