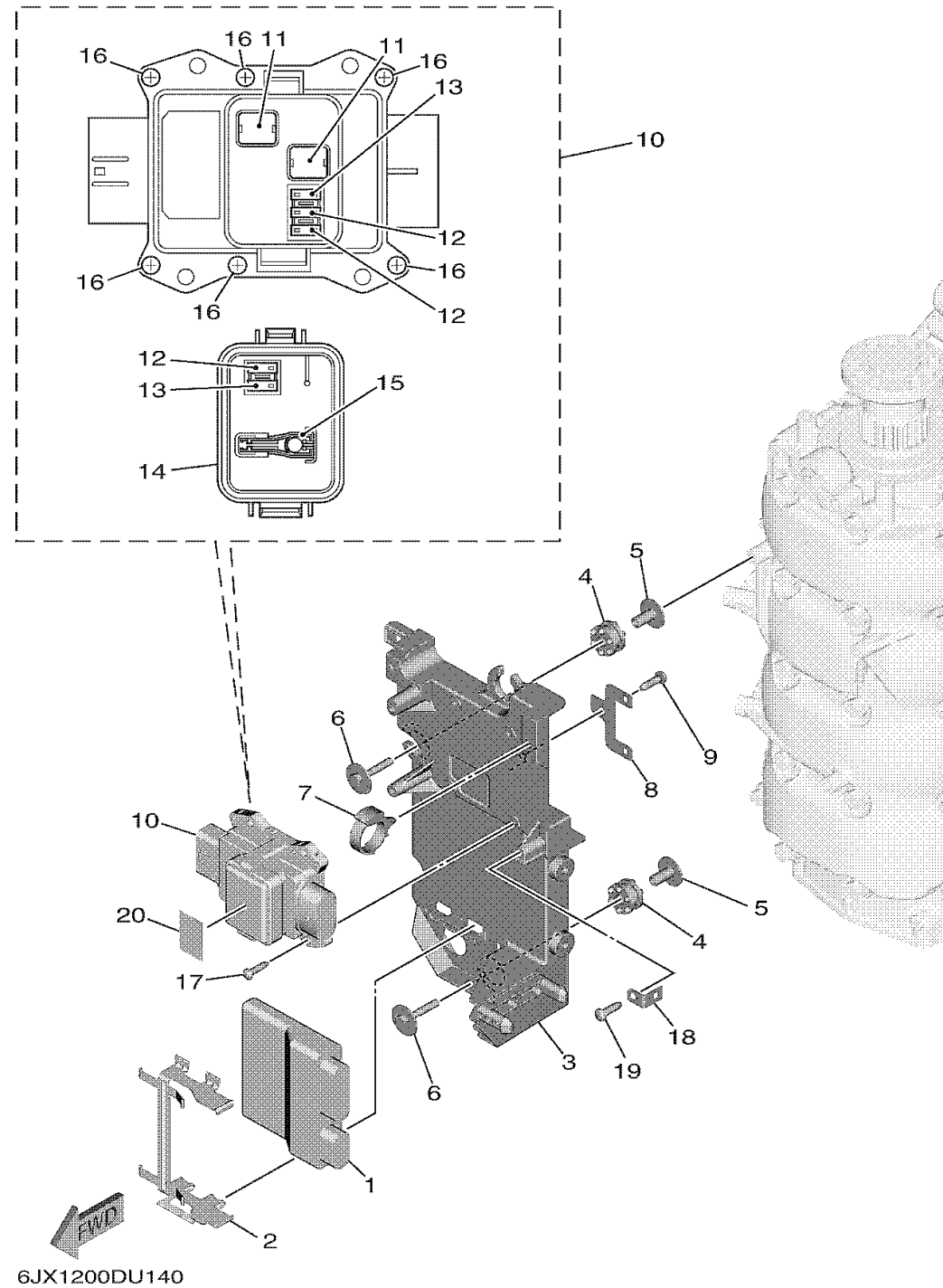


ELECTRICAL 1



Ref No.	Part Number	Description	Qty	Remarks
1	6HJ-8591A-02-00	ENGINE CONTROL UNIT ASSY	1	
2	6FP-8253C-00-00	SPRING, PLATE LOCK	1	
3	6FP-81948-10-00	BRACKET	1	
4	60V-85564-00-00	GROMMET	3	
5	90387-06176-00	COLLAR	3	
6	68F-85119-00-00	BOLT	3	
7	90464-12183-00	CLAMP	1	
8	6C5-8257V-00-00	PLATE, CONNECTOR	1	
9	97780-60620-00	SCREW, TAPPING	1	
10	6FP-82170-02-00	FUSE BOX ASSY	1	
11	6FP-82151-01-00	..FUSE (50A)	2	
12	6CB-82151-20-00	..FUSE (20A)	3	
13	6CB-82151-30-00	..FUSE (30A)	2	
14	6FP-85544-00-00	..COVER	1	
15	6CB-2812A-00-00	..PULLER, FUSE	1	
16	6P2-82113-00-00	..SCREW (M3)	6	
17	97780-50620-00	SCREW, TAPPING	4	
18	68V-85548-01-00	HOLDER	1	
19	97780-60620-00	SCREW, TAPPING	1	
20	6FP-81919-01-00	GRAPHIC, REGULATOR	1	