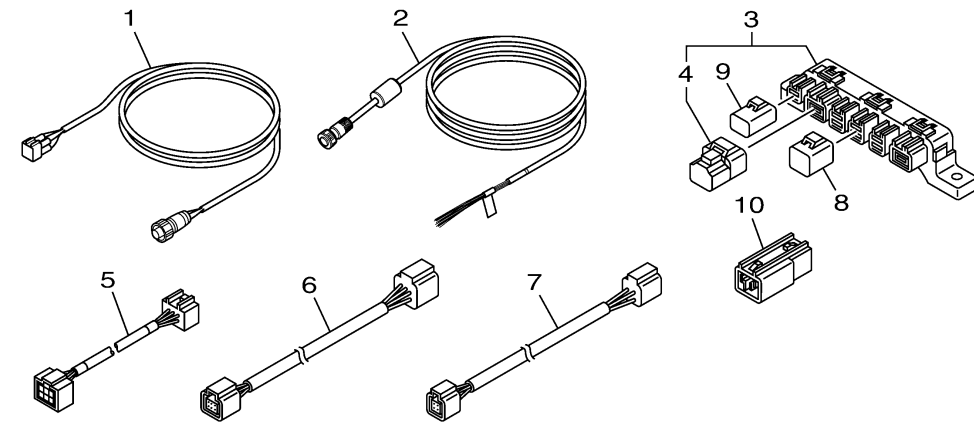
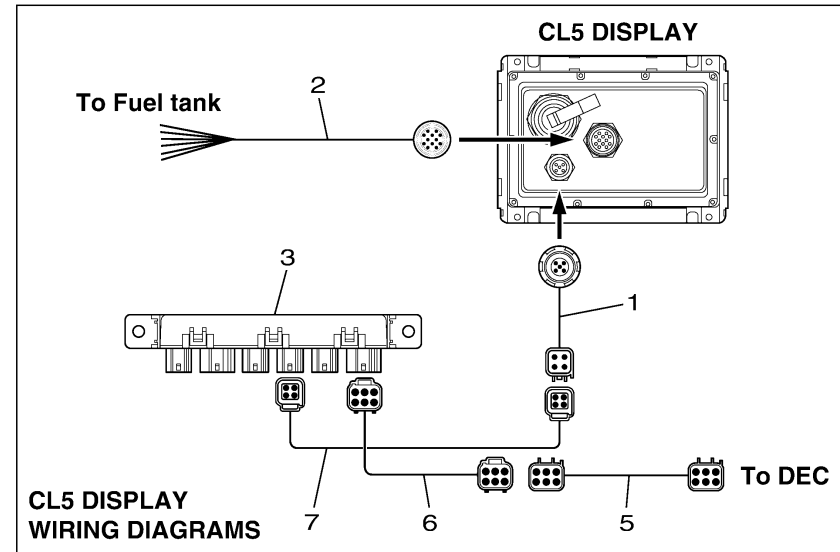
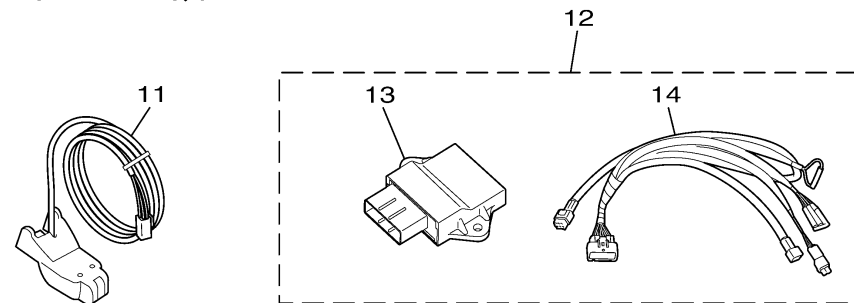


CL5 DISPLAY 2



OPTIONAL EQUIPMENT



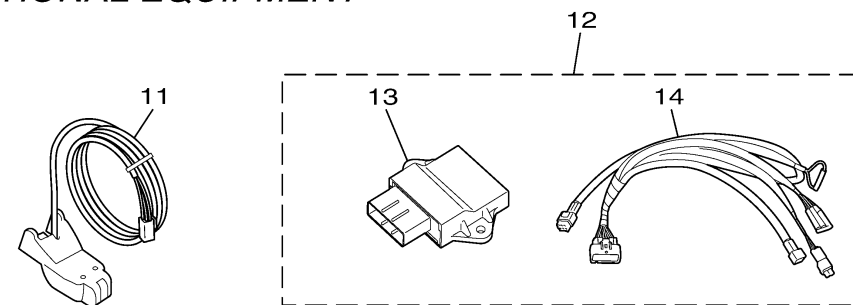
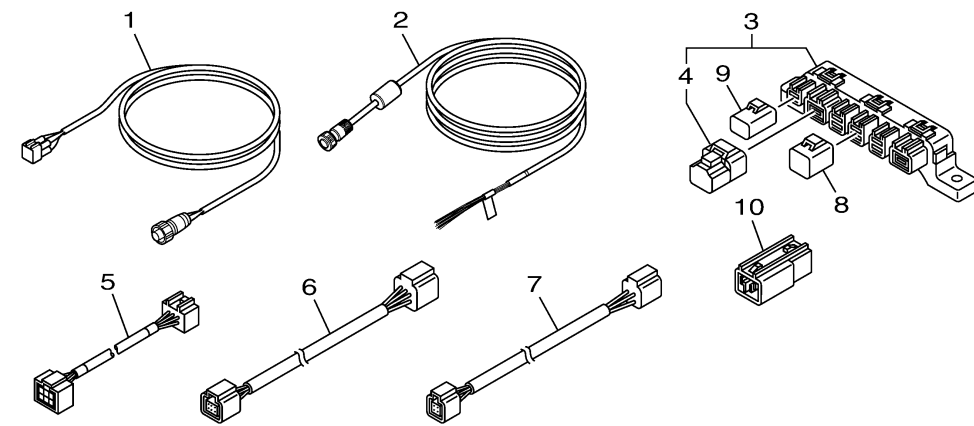
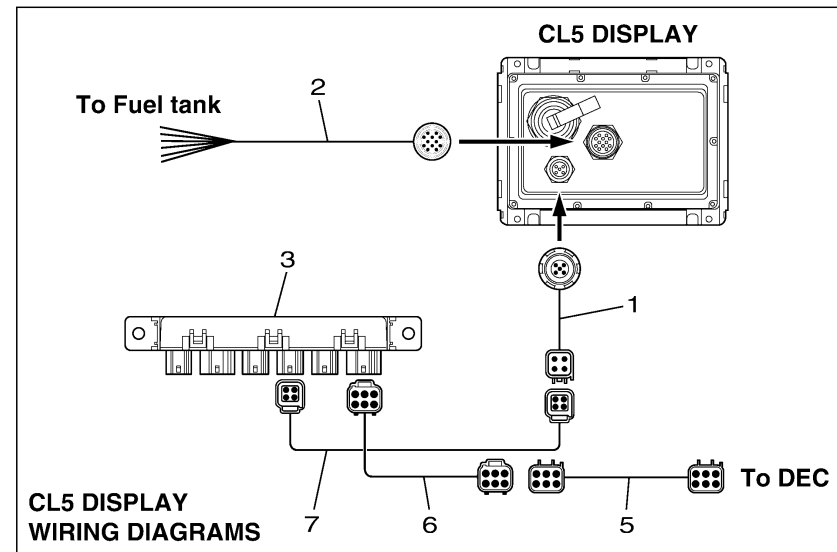
601M10M-W210

| Ref No. | Part Number | Description | Qty | Remarks |
|---------|-----------------|-------------------------|-----|---------|
| 1 | 6YM-83553-01-00 | CONVERSION HARNESS | 1 | |
| 2 | 6YD-8356N-00-00 | WIRE, LEAD | 1 | |
| 3 | 6Y8-81920-01-00 | MULTI HUB ASSY | 1 | |
| 4 | 6Y8-85371-01-00 | . .END OF LINE RESISTOR | 1 | |
| 5 | 6Y9-83553-00-00 | WIRE, LEAD | 1 | |
| 6 | 6Y8-82553-01-00 | 1FT MAIN BUS | 1 | UR |
| 6 | 6Y8-82553-11-00 | 15FT MAIN BUS | 1 | UR |
| 6 | 6Y8-82553-21-00 | 20FT MAIN BUS | 1 | UR |
| 6 | 6Y8-82553-31-00 | 25FT MAIN BUS | 1 | UR |
| 6 | 6Y8-82553-41-00 | 30FT MAIN BUS | 1 | UR |
| 6 | 6Y8-82553-50-00 | 10FT MAIN BUS | 1 | UR |
| 7 | 6Y8-82521-01-00 | 1FT PIGTAIL BUS | 1 | UR |
| 7 | 6Y8-82521-11-00 | 2FT PIGTAIL BUS | 1 | UR |
| 7 | 6Y8-82521-21-00 | 3FT PIGTAIL BUS | 1 | UR |
| 7 | 6Y8-82521-31-00 | 6FT PIGTAIL BUS | 1 | UR |
| 7 | 6Y8-82521-41-00 | 9FT PIGTAIL BUS | 1 | UR |
| 7 | 6Y8-82521-51-00 | 12FT PIGTAIL BUS | 1 | UR |
| 8 | 6Y8-82582-11-00 | CAP 1 (4PIN) | 1 | |
| 9 | 6Y8-82582-01-00 | CAP 1 (2PIN) | 1 | |
| 10 | 6Y8-81920-11-00 | IN-LINE HUB ASSY | 1 | |

CONTINUED ON NEXT FRAME >

CL5 DISPLAY 2

| Ref No. | Part Number | Description | Qty | Remarks |
|---------|-----------------|--------------------|-----|----------------|
| 11 | 6Y9-83688-00-00 | SENSOR ASSY | 1 | |
| 12 | 6YH-W8A2D-01-00 | INTERFACE UNIT SET | 1 | ANALOGUE GAUGE |
| 13 | 6YH-8A2D0-01-00 | . .INTERFACE UNIT | 1 | |
| 14 | 6YH-82521-00-00 | . .WIRE, LEAD | 1 | |



601M10M-W210