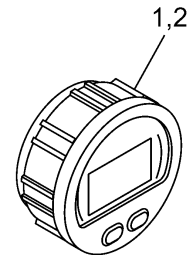
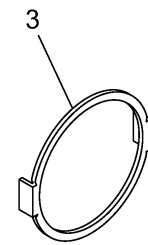


**MULTIFUNCTION METER**

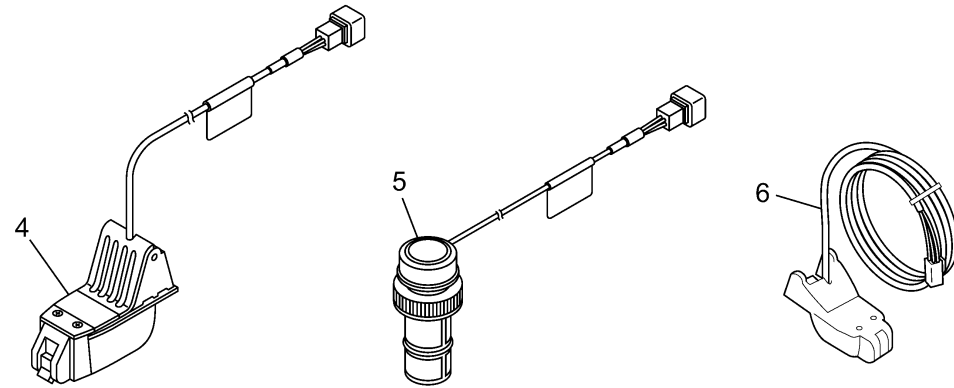


6Y8-83500-24  
Requires optional speed sensor,  
or NMEA compatible GPS



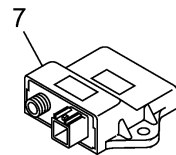
For 6Y8 meters

**MULTI-SENSOR**



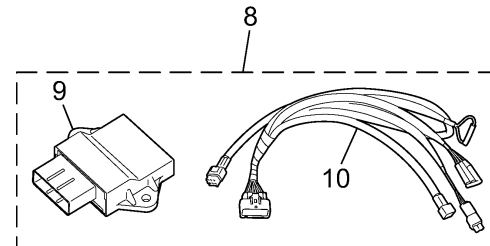
Discontinued, available for stock only.  
After sold out, 6Y9-83688-00 will be supplied.

**NMEA2000 GATEWAY**



Compatible with 6Y8 and 6Y9 protocols

**ANALOG GAUGE INTERFACE**



Compatible with 6Y8 and 6Y9 protocols,  
Required for each engine.

# DIGITAL NETWORK GAUGE 1

Ref No.	Part Number	Description	Qty	Remarks
1	6Y8-8350T-24-00	TACHOMETER, RD	1	
2	6Y8-83500-24-00	S & FM METER, RD	1	SPEED & FUEL
3	6Y8-83514-00-00	PLATE, FITTING	1	UN
4	6Y8-83688-01-00	TRANSOM MOUNT TRIDUCER	1	
5	6Y8-83688-11-00	PLASTIC THRU-HULL TRIDUCER	1	PLASTIC BODY
6	6Y9-83688-00-00	SENSOR ASSY	1	
7	6YG-8A2D0-15-00	INTERFACE UNIT	1	GATEWAY
8	6YH-W8A2D-01-00	INTERFACE UNIT SET	1	ANALOGUE GAUGE
9	6YH-8A2D0-01-00	. .INTERFACE UNIT	1	
10	6YH-82521-00-00	. .WIRE, LEAD	1	

601M10M-Z120