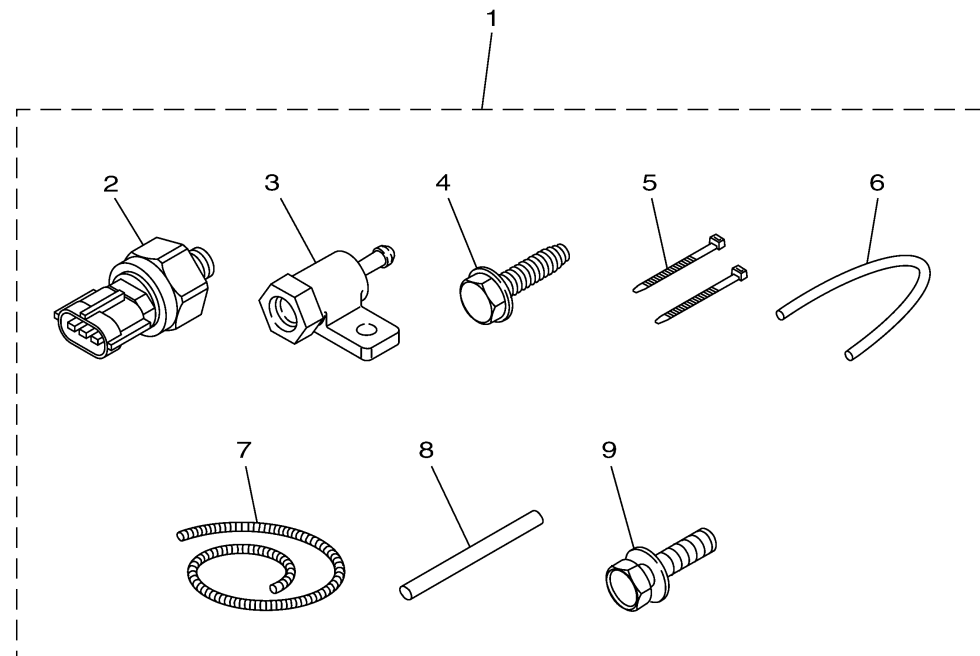


**SPEED SENSOR**

Part No.	Remarks
60V-8A4L1-1C	Fuel injected F30-F300 (V6)



**DIGITAL NETWORK GAUGE 5**

Ref No.	Part Number	Description	Qty	Remarks
1	60V-8A4L1-1C-00	SENSOR, MODULE 1	1	
2	6AW-8366B-10-00	. .SENSOR, WATER PRESSURE	1	
3	60V-8366D-00-00	. .ADAPTOR, INPUT	1	
4	90109-06M81-00	. .BOLT	1	
5	90465-11M10-00	. .CLAMP	2	
6	90445-07017-00	. .HOSE (L: 550MM)	1	
7	90447-07013-00	. .HOSE, COVER (L: 700MM)	1	
8	60V-42629-01-00	. .SEAL	1	
9	97E95-06516-00	. .BOLT, HEXAGON W/W DEEP RECESS	1	

601M10M-W160