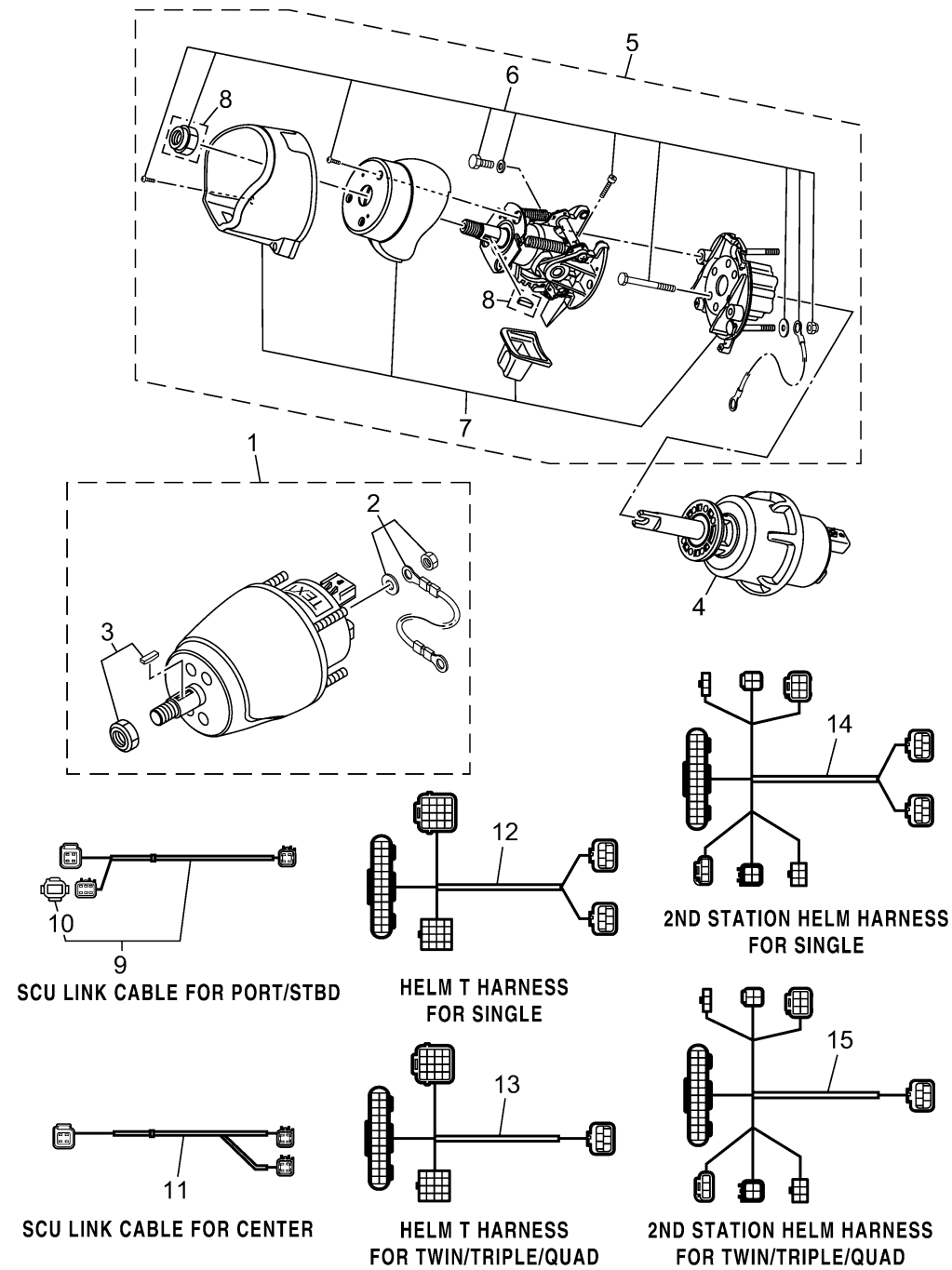


HELM UNIT

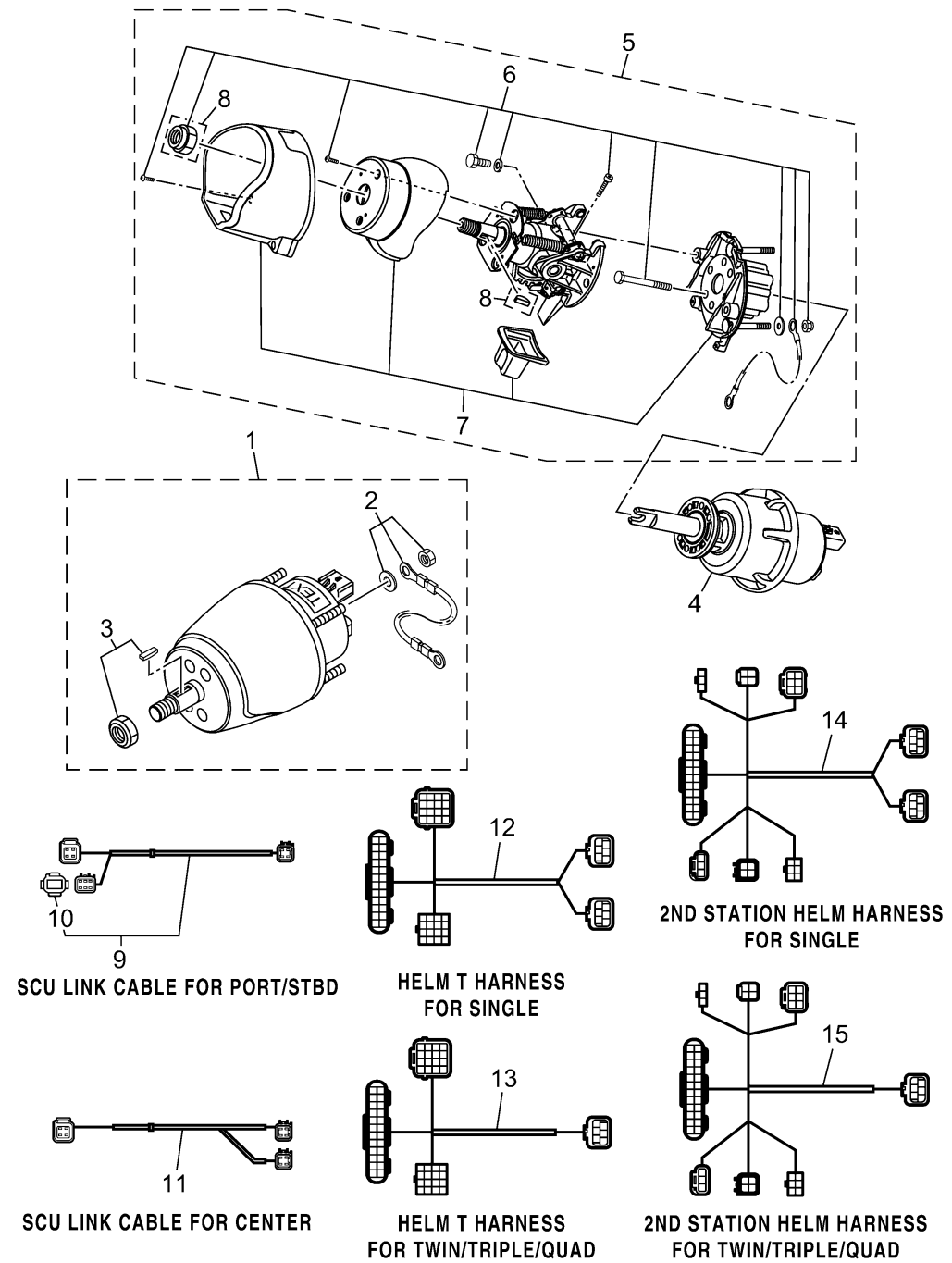


Ref No.	Part Number	Description	Qty	Remarks
1	6X9-615A0-10-00	HELM UNIT ASSY	1	
2	6X9-42409-00-00	..REPAIR KIT, 8	1	
3	6X9-4240A-00-00	..REPAIR KIT, 9	1	
4	6GR-615A0-10-00	HELM UNIT ASSY	1	ASK TO MARINE DIV
5	6GR-6154A-01-00	TILT HELM UNIT	1	ASK TO MARINE DIV
6	6GR-42402-01-00	..REPAIR KIT, 1	1	
7	6GR-42403-00-00	..REPAIR KIT, 2	1	
8	6X9-4240A-00-00	..REPAIR KIT, 9	1	
9	6X9-81115-00-00	SCU LINK HARNESS 0.3M-1FT	1	UR *1 PORT/STBD ENGINE
9	6GR-81115-00-00	SCU LINK HARNESS 1.5M-5FT	1	UR *1 PORT/STBD ENGINE
9	6GR-81115-10-00	SCU LINK HARNESS 3.0M-10F	1	UR *1 PORT/STBD ENGINE
10	6Y8-85371-01-00	..END OF LINE RESISTOR	1	
11	6GR-81115-20-00	SCU LINK HARNESS (C) 1.5M-5FT	1	UR *1 CENTER ENGINE
11	6GR-81115-30-00	SCU LINK HARNESS (C) 3.0M-10FT	1	UR *1 CENTER ENGINE
11	6X9-81115-10-00	SCU LINK HARNESS (C) 0.3M-1FT	1	UR *1 CENTER ENGINE
12	6GR-8258A-01-00	HELM HARNESS 0.9M-3FT	1	UR *1 SINGLE ENGINE (MAIN ST)
12	6GR-8258A-41-00	HELM HARNESS 1.8M-6FT	1	UR *1 SINGLE ENGINE (MAIN ST)
13	6GR-8258A-11-00	HELM HARNESS 0.9M-3FT	2	UR *1 MULTIPLE ENGINES (MAIN S
13	6GR-8258A-51-00	HELM HARNESS 1.8M-6FT	2	UR *1 MULTIPLE ENGINES (MAIN S
14	6GR-8258A-21-00	EXTENSION, WIRE HARNESS	1	*1 SINGLE ENGINE

CONTINUED ON NEXT FRAME >

HELM UNIT

Ref No.	Part Number	Description	Qty	Remarks
15	6GR-8258A-31-00	EXTENSION, WIRE HARNESS	2	*1 MULTIPLE ENGINE



601M10M-Y250

*1: ASK TO MARINE DIV