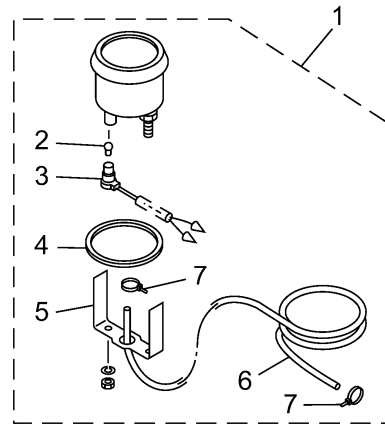


ANALOG SPEEDOMETER

Description	Part No.	Applicable model
Analog, BLK panel 0 – 75 mph (20 – 120 km/h)	6Y7-W835B-01	Above 40 (3-cyl) Above F30 [Mechanical RC]
Analog, WHT panel 0 – 75 mph (20 – 120 km/h)	6Y7-W835B-11	
Analog, BLK panel 0 – 50 mph (20 – 80 km/h)	6Y7-W835B-21	
Analog, WHT panel 0 – 50 mph (20 – 80 km/h)	6Y7-83510-31	
Analog, BLK panel 0 – 120 km/h (15 – 65 knot)	6Y7-W835B-41	
Analog, WHT panel 0 – 120 km/h (15 – 65 knot)	6Y7-83510-50	
Analog, BLK panel 0 – 80 km/h (10 – 43 knot)	6Y7-W835B-61	
Analog, WHT panel 0 – 80 km/h (10 – 43 knot)	6Y7-83510-70	



601M10M-Y040

meter_2025

METER 4

Ref No.	Part Number	Description	Qty	Remarks
1	6Y7-83510-50-00	SPEEDOMETER ASSY (120KM/H)	1	UR
1	6Y7-83510-70-00	SPEEDOMETER ASSY (80KM/H)	1	UR
1	6Y7-83510-31-00	SPEEDOMETER ASSY (50MPH)	1	UR
1	6Y7-W835B-01-00	SPEEDOMETER ASSY (75MPH)	1	UR
1	6Y7-W835B-11-00	SPEEDOMETER ASSY (75MPH)	1	UR
1	6Y7-W835B-21-00	SPEEDOMETER ASSY (50MPH)	1	UR
1	6Y7-W835B-41-00	SPEEDOMETER ASSY (120KM/H)	1	UR
1	6Y7-W835B-61-00	SPEEDOMETER ASSY (80KM/H)	1	UR
2	6Y5-83517-00-00	. .BULB (T10, 12V-1.7W)	1	
3	6Y5-83536-40-00	. .SOCKET, METER	1	
4	6Y5-83523-00-00	. .DAMPER	1	
5	6Y5-83514-00-00	. .PLATE, FITTING	1	
6	688-83557-00-00	. .TUBE	1	
7	90465-11M10-00	. .CLAMP	2	

A5